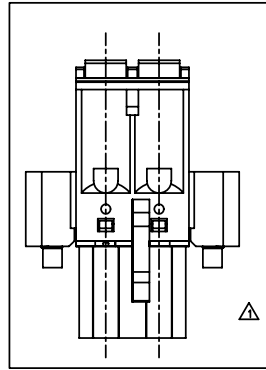
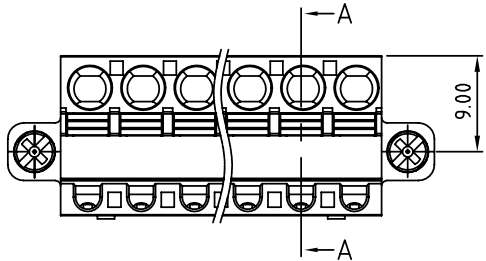


SIGN	DATE	DESCRIPTION	APPROVER
△	04/06'10	Add the 2P mark & Wire strip length is changed	RUNNER

THIS IS CAD DRAWING, DO NOT REVISE MANUALLY!!!



2P mark

Material

- Ltem 1 Insulating top body Thermoplastic ( UL94V-0 )
- Ltem 2 Insulating down body Thermoplastic ( UL94V-0 )
- Ltem 3 Insulating lever Thermoplastic ( UL94V-0 )
- Ltem 4 Wire guard Stainless Steel
- Ltem 5 Contaitis PIN PhBz ( CuSn ) Tin plated
- Ltem 6 Wigh flange screw Steel "+/-"type Zinc plating M2.5

Electrical

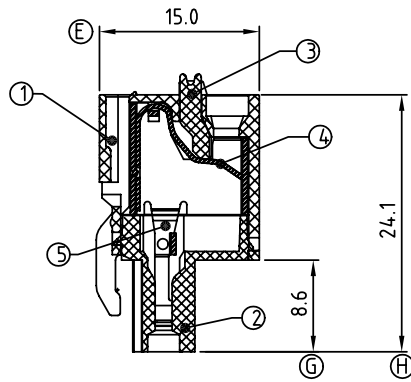
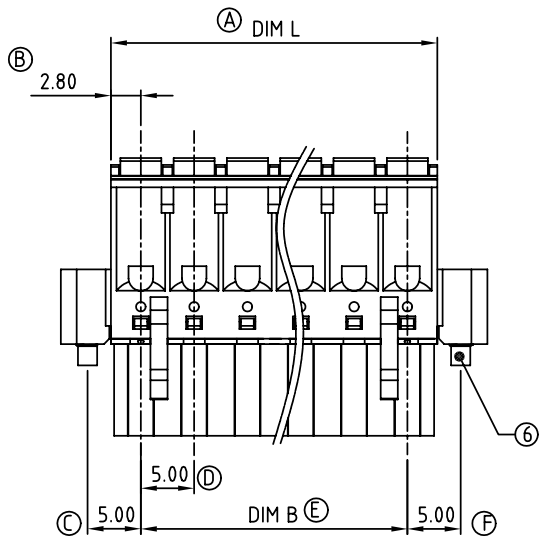
- Voltage rating: 300V
- Current rating: 10A
- Solid wire(AWG): 12-26
- Stranded wire(AWG): 12-26
- △ ● Wire strip length: 9-10mm
- Withstanding Voltage: 1.6KV
- Operating temperature: -40°C to +115°C

cULus

- Voltage rating: 300V
- Current rating: 10A
- Solid wire(AWG): 12-26
- Stranded wire(AWG): 12-26
- △ ● Wire strip length: 9-10mm
- Withstanding Voltage: 1.6KV
- Operating temperature: -40°C to +115°C

HW xx 70 x 3 xxxx G

- |                |         |  |              |
|----------------|---------|--|--------------|
| 02 2 CONTACTS  | 0 Black | 0000 Standard @ Logo   | RoHS         |
| 03 3 CONTACTS  | 5 Green | 000A Standard ANY Logo   | Pb<40,000ppm |
| ...            | 6 Blue  | Any special item by customer request, please contact sales department. |              |
| 24 24 CONTACTS | 8 Grey  |  |              |



SECTION A-A

Poles	02	03	04	05	06	07	08	09	10	11	12	13
Dim L	10.60	15.60	20.60	25.60	30.60	35.60	40.60	45.60	50.60	55.60	60.60	65.60
Dim B	5.00	10.00	15.00	20.00	25.00	30.00	35.00	40.00	45.00	50.00	55.00	60.00
TOL	±0.15				±0.20				±0.25			
Poles	14	15	16	17	18	19	20	21	22	23	24	
Dim L	70.60	75.60	80.60	85.60	90.60	95.60	100.60	105.60	110.60	115.60	120.60	
Dim B	65.00	70.00	75.00	80.00	85.00	90.00	95.00	100.0	105.0	110.0	115.0	
TOL	±0.25				±0.30							

ANYTEK				CUSTOMER COPY			
ALL RIGHTS RESERVED. REPRODUCTION OR ISSUE TO THIRD PARTIES IN ANY FORM WHATSOEVER IS NOT PERMITTED WITHOUT WRITTEN AUTHORITY FROM THE PROPRIETOR. PROPERTY OF ANYTEK TECHNOLOGY CO., LTD							
TITLE	HW 5.0 Series With Flange ( Contact on up side )						
PART NO.	HWxx70x3xxxxG			DWG NO.	8HW0702		
APPROVED	CHECKED	DESIGNED	DRAWN	CUST NO.	Tolerance		
		Runner	Runner		X. ±0.50		
		2010.04.06	2010.04.06		X.X ±0.30		
					X.XX ±0.10		
					X° ±1°		
				SHEET: 01/01	REV.: C		