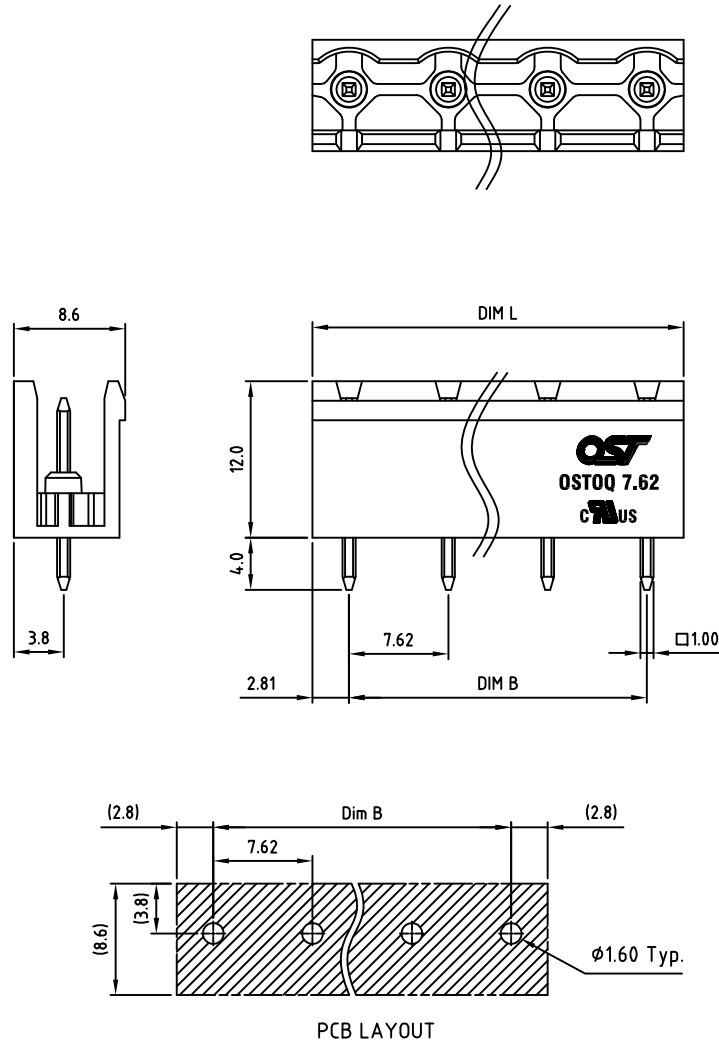


Transfer or duplication of this document as well as the utilisation or communication of its content are not permitted unless express consent is granted. Violations give rise to claims for damages. All rights reserved in case of patent, utility model or design patent registrations.



Technical data

1. Nominal voltage: 300V/15A
PITCH: 7.62mm
2. Insulation Withstanding Voltage:
AC 1600V/MIN
3. Insulation Resistance:
1000MΩ or more at DC500V
4. Operating temperature range: -40°C ~ 115°C
5. Soldering temperature range: 250°C ± 10°C / 5sec
6. Safety approval:
7. RoHS Compliance
8. Undimensioned Tolerances:

Dim.L=(P-1)x7.62+5.62		
Dim.B=(P-1)x7.62		
P= number of poles 2-16P		
	Dim B	Dim L
0-30mm	±0.15	±0.20
over 30mm-60mm	±0.20	±0.25
over 60mm-90mm	±0.25	±0.30
over 90mm	±0.30	±0.40

Part No.:

OSTOQXX0050

No. of Poles	COLOR
02 2 Poles	0: Black
03 3 Poles	2: Red
...	3: Orange
16 16 Poles	4: Yellow
	5: Green (Standard)
	6: Blue
	8: Grey
Nonstandard colors Mins could apply	

2	PIN	COPPER	TIN PLATED	P	
1	BODY	PA66 UL94V-0	ALL COLOR	1	
ITEM	NAME OF PART	MATERIAL	NOTES	Q"TY	
DWG	Marvin Zhang	DATE 2019.01.15	UNITS: MM	SHEET: 1 OF 1	Tolerance
CHK	Marvin Zhang	DATE 2019.01.15	SCALE: NONE 3:1 (:)	REV: A	X. ±0.50
APP.		DATE	TITLE: OSTOQ 7.62 Series		X.X ±0.30
			TITLE: Open type Vertical (180D)		X.XX ±0.10
			PART NO. OSTOQXX0050		X* ±1°
			DWG NO. OSTOQXX0050.dwg		

REV	SIGN	DESCRIPTION	CHK.	DATE



ON-SHORE TECHNOLOGY, INC.