

UPF25B50RV ✓ ACTIVE



Holsworthy | Holsworthy UPF

TE Internal #: 2176162-9

50 Ω , Metal Film, Precision Resistor, .1 %, 7 x 2.7 mm, 2 Termination, Bulk, .25 W, ± 5 ppm/ $^{\circ}$ C, Copper Termination, Axial-Leaded, Holsworthy UPF

[View on TE.com >](#)

Passive Components > Resistors > Through-Hole Resistors



Resistor Type: **Precision Resistor**

Passive Component Dimensions: **7 x 2.7 mm**

Number of Terminations: **2**

Packaging Method: **Bulk**

Passive Component Tolerance: **.1 %**

Features

Product Type Features

Resistor Type	Precision Resistor
Element Type	Metal Film

Configuration Features

Number of Resistors	1
---------------------	---

Electrical Characteristics

Operating Voltage	250 V
Passive Component Tolerance	.1 %
Resistance Class	Up to 1k Ω
Resistance Value	50 Ω
Power Rating	.25 W

Body Features

Lead Type	Axial-Leaded
-----------	--------------

Termination Features

Number of Terminations	2
Termination Area Base Material	Copper

Dimensions

Passive Component Dimensions	7 x 2.7 mm
------------------------------	------------



Usage Conditions

Operating Temperature Range	-55 – 125 $^{\circ}$ C
Temperature Coefficient	± 5 ppm/ $^{\circ}$ C

Packaging Features

Packaging Method	Bulk
------------------	------

Product Compliance

[For compliance documentation, visit the product page on TE.com>](#)

EU RoHS Directive 2011/65/EU	Compliant
EU ELV Directive 2000/53/EC	Compliant
China RoHS 2 Directive MIIT Order No 32, 2016	No Restricted Materials Above Threshold
EU REACH Regulation (EC) No. 1907/2006	Current ECHA Candidate List: JUNE 2023 (235) Candidate List Declared Against: JUNE 2023 (235) Does not contain REACH SVHC
Halogen Content	BFR/CFR/PVC Free, but Br/Cl >900 ppm in other sources.
Solder Process Capability	Wave solder capable to 265 $^{\circ}$ C

Product Compliance Disclaimer

This information is provided based on reasonable inquiry of our suppliers and represents our current actual knowledge based on the information they provided. This information is subject to change. The part numbers that TE has identified as EU RoHS compliant have a maximum concentration of 0.1% by weight in homogenous materials for lead, hexavalent chromium, mercury, PBB, PBDE, DBP, BBP, DEHP, DIBP, and 0.01% for cadmium, or qualify for an exemption to these limits as defined in the Annexes of Directive 2011/65/EU (RoHS2). Finished electrical and electronic equipment products will be CE marked as required by Directive 2011/65/EU. Components may not be CE marked. Additionally, the part numbers that TE has identified as EU ELV compliant have a maximum concentration of 0.1% by weight in homogenous materials for lead, hexavalent chromium, and mercury, and 0.01% for cadmium, or qualify for an exemption to these limits as defined in the Annexes of Directive 2000/53/EC (ELV). Regarding the REACH Regulation, the information TE provides on SVHC in articles for this part number is based on the latest European Chemicals Agency (ECHA) 'Guidance on requirements for substances in articles' posted at this URL: <https://echa.europa.eu/guidance-documents/guidance-on-reach>

Compatible Parts



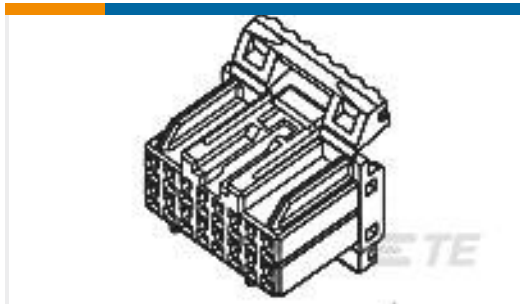
 <p>TE Part # 2176162-5 UPF25 0.1% 5PPM 120R</p>	 <p>TE Part # 2176162-7 UPF25 0.1% 5PPM 250R</p>	 <p>TE Part # 2176163-1 UPF50 0.1% 5PPM 100K</p>	 <p>TE Part # 2176163-2 UPF50 0.1% 5PPM 100R</p>
 <p>TE Part # 2176163-4 UPF50 0.1% 5PPM 10R</p>	 <p>TE Part # 2176163-6 UPF50 0.1% 5PPM 1K0</p>	 <p>TE Part # 2176163-9 UPF50 0.1% 5PPM 20R</p>	 <p>TE Part # 1-2176163-5 UPF50 0.1% 5PPM 500R</p>
 <p>TE Part # 2176162-1 UPF25 0.1% 5PPM 100K</p>	 <p>TE Part # 2176162-2 UPF25 0.1% 5PPM 100R</p>	 <p>TE Part # 2176162-3 UPF25 0.1% 5PPM 10K</p>	 <p>TE Part # 2176162-4 UPF25 0.1% 5PPM 10R</p>
 <p>TE Part # 2176162-6 UPF25 0.1% 5PPM 1K0</p>	 <p>TE Part # 2176162-8 UPF25 0.1% 5PPM 350R</p>	 <p>TE Part # 1-2176162-0 UPF25 0.1% 5PPM 5K0</p>	 <p>TE Part # 2176163-3 UPF50 0.1% 5PPM 10K</p>
 <p>TE Part # 2176163-5 UPF50 0.1% 5PPM 120R</p>	 <p>TE Part # 2176163-7 UPF50 0.1% 5PPM 200R</p>	 <p>TE Part # 2176163-8 UPF50 0.1% 5PPM 20K</p>	 <p>TE Part # 1-2176163-0 UPF50 0.1% 5PPM 250R</p>

Also in the Series | [Holsworthy UPF](#)



Through-Hole Resistors(28)

Customers Also Bought



TE Part #174515-6
HYBRID I/O CONN PLUG HSG 22P



TE Part #1676333-2
RN 0805 3K92 0.1% 10PPM 1KRL



TE Part #5054552012
RNF-100-1/2-5-STK



TE Part #5054232025
RNF-100-1/2-8-STK



TE Part #ELHM-25KN-C20003
ELHM-T4M-25KN

Documents

Product Drawings

[UPF25 0.1% 5PPM 50R](#)

English

CAD Files

[3D PDF](#)

3D

Customer View Model

[ENG_CVM_CVM_2176162-9_BA.2d_dxf.zip](#)

English

Customer View Model

[ENG_CVM_CVM_2176162-9_BA.3d_igs.zip](#)

English

Customer View Model

[ENG_CVM_CVM_2176162-9_BA.3d_stp.zip](#)

English

By downloading the CAD file I accept and agree to the [Terms and Conditions](#) of use.

UPF25B50RV

50 Ω , Metal Film, Precision Resistor, .1 %, 7 x 2.7 mm, 2 Termination, Bulk, .25 W, ± 5 ppm/ $^{\circ}\text{C}$, Copper Termination, Axial-Leaded, Holsworthy UPF



[Datasheets & Catalog Pages](#)

[High Precision Metal Film Leaded Resistor Type UPF Series](#)

English