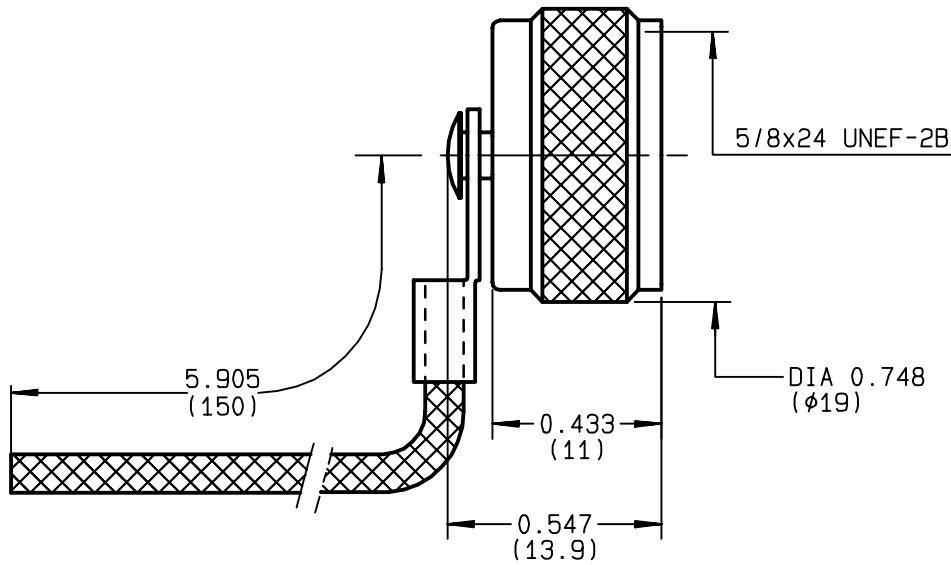


**MALE PROTECTIVE CAP
WITH CORD**

R161.805.410
SERIES N



NOMINAL IMPEDANCE	NA Ω	CABLES :	
FREQUENCY RANGE	NA GHz		
TEMPERATURE RATING	-55/+155 °C		
V.S.W.R	NA + x F(GHz)Maxi		
RF INSERTION LOSS	NA \sqrt{F} (GHz) dB Maxi		
VOLTAGE RATING	NA Veff Maxi		
DIELECTRIC WITHSTANDING VOLTAGE	NA Veff Mini		
INSULATION RESISTANCE	NA M Ω Mini	OTHERS CHARACTERISTICS	
HERMETIC SEAL	NA Atm.cm ³ /s	CABLE RETENTION	NA N Mini
LEAKAGE (pressurized only)	NA	CENTER CONTACT RETENTION	
MECHANICAL DURABILITY	500 Cycles	Axial force - mating end	NA N Mini
WEIGHT	11 gr	Axial force - opposite end	NA N Mini
SPECIFICATION		Torque	NA cm.N Mini
		RECOMMENDED TORQUES	
		Mating	130 cm.N
		Panel nut	NA cm.N
		Clamp nut	NA cm.N

CONNECTOR PARTS	MATERIALS	FINISH	(all values are given) in micrometers
BODY	BRASS	BLACK-CHROMIUM	
OUTER CONTACT			
CENTER CONTACT			
INSULATOR		-	
GASKET	CHLOROPRENE	-	
OTHERS PIECES	BRASS	BLACK-CHROMIUM	

ISSUE **9726F01** CREATION DATE **13/12/1993** FILE PART-NUMBER



BONOMINI

The information given here is subject to change without notice.
Design changes may be in order to improve the product .

Connect to the future