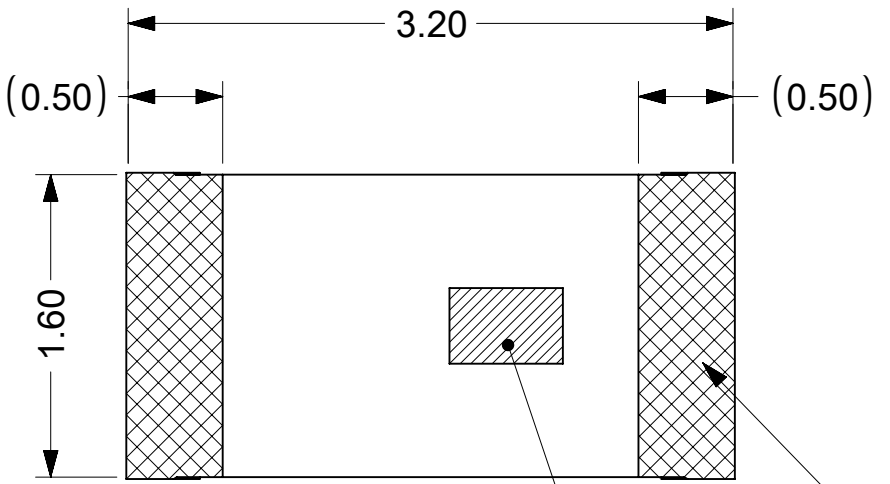
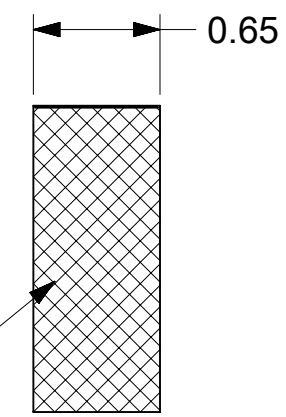


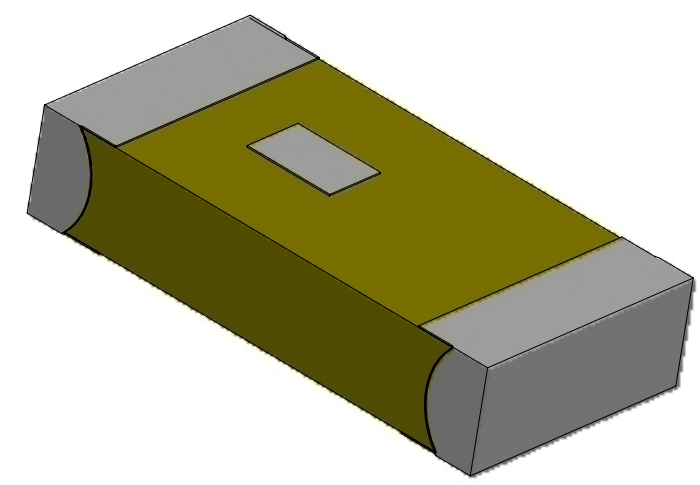
REV	DATE	DESCRIPTION
A	2019/09/15	NEW RELEASE
A1	2020/11/26	ADD SIDE VIEW INFORMATION



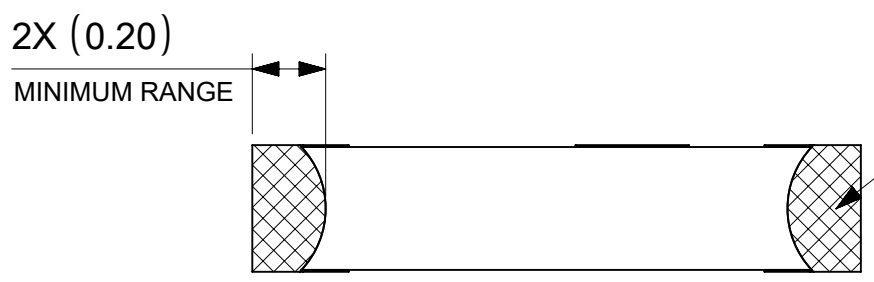
TOP VIEW



RIGHT VIEW

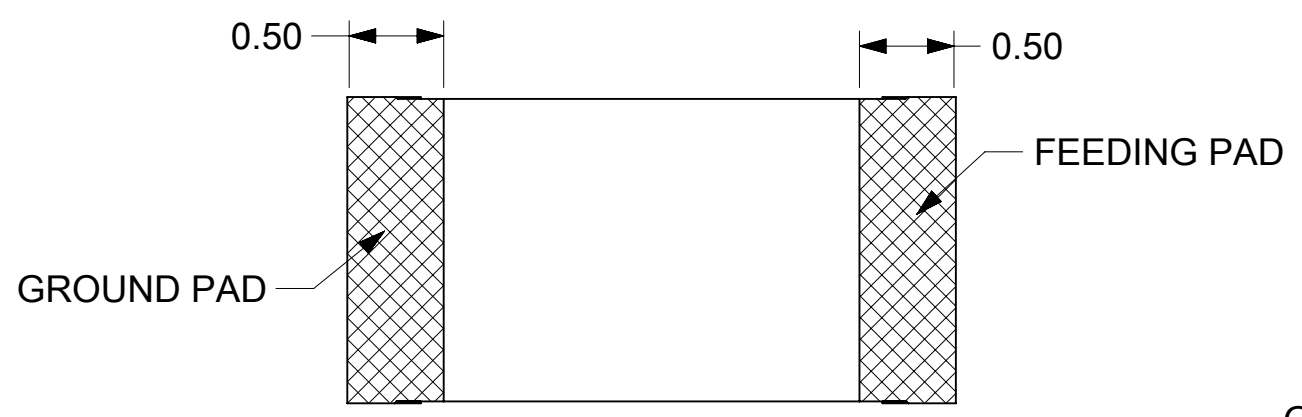


3D VIEW

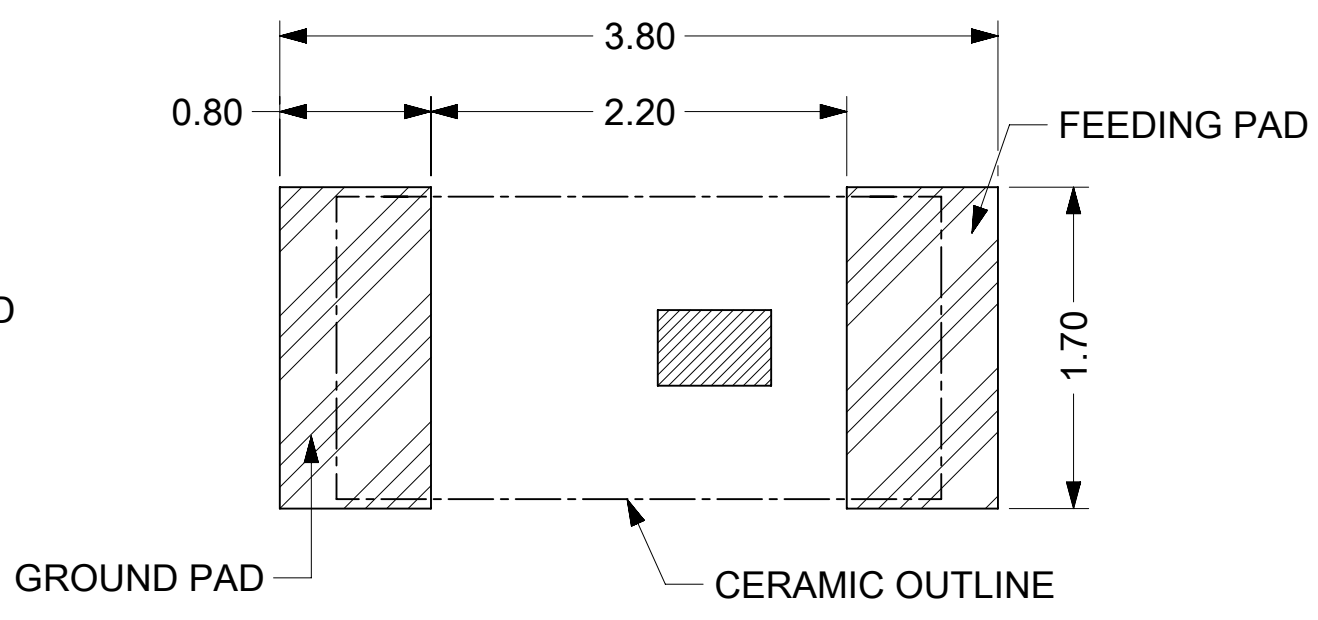


SIDE VIEW

EXTERNAL PATTERN



BOTTOM VIEW



RECOMMENDED PADS LAYOUT ON PCB

- NOTES:
1. MATERIAL: CERAMIC
 2. ALL HATCHED AREA ARE SILVER AND NI/TIN PLATING LAYER;
 3. THE SIDE EXTERNAL PATTERN IS CURVED, WHICH DOES NOT AFFECT THE ANTENNA PERFORMANCE.
 4. PACKAGE SPEC. REFER TO PK OF 2067740001.
 5. PRODUCT SPEC. REFER TO PS OF 2067740001.
 6. APPLICATION SPEC. REFER TO AS OF 2067740001.

SYMBOLS		THIS DRAWING CONTAINS INFORMATION THAT IS PROPRIETARY TO MOLEX ELECTRONIC TECHNOLOGIES, LLC AND SHOULD NOT BE USED WITHOUT WRITTEN PERMISSION	
▽ = 0	DIMENSION UNITS	SCALE	CURRENT REV DESC:
▽ = 0	mm	1:1	
▽ = 0	GENERAL TOLERANCES (UNLESS SPECIFIED)		
▽ = 0	ANGULAR TOL ± 0.5°		
▽ = 0	4 PLACES ±	EC NO: 650158	
▽ = 0	3 PLACES ± 0.15	DRWN: KCHENG06	2020/11/26
▽ = 0	2 PLACES ± 0.2	CHK'D: AYIN	2020/12/01
▽ = 0	1 PLACE ± 0.25	APPR: AYIN	2020/12/01
▽ = 0	0 PLACES ± 0.3	INITIAL REVISION:	
▽ = 0	DRAFT WHERE APPLICABLE MUST REMAIN WITHIN DIMENSIONS	DRWN: KCHENG06	2020/08/05
▽ = 0		APPR: XJSONG	2020/09/25
		THIRD ANGLE PROJECTION	DRAWING
		A3-SIZE	SERIES
		206774	MATERIAL NUMBER
		2067740001	CUSTOMER
		GENERAL MARKET	DOCUMENT NUMBER
		2067740001	DOC TYPE
		PSD	DOC PART
		000	REVISION
		A1	SHEET NUMBER
		1 OF 1	