

APPROVED: _____
 DATE: _____ TITLE: _____

Rev	AWO #	Description	Date	Appr
-		RELEASED	12/15/21	
A		ADDED SPEC.	8/11/22	LH/TW

SPECIFICATIONS:

Material:

SMA	SMA-M	Gold
Noumenon	ABS	Black

Electrical:

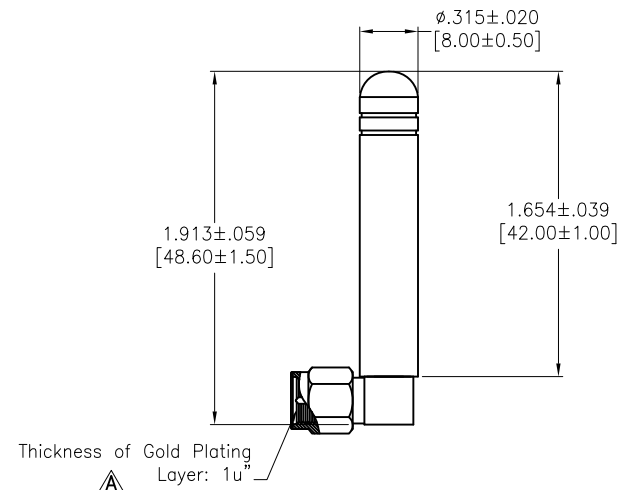
Standards	868MHz&915MHz&2.4G WiFi&BT		
Frequency range(MHz)	868	915	2400~2500
Peak Gain	2.5	3.4	2.0~2.7
Average Gain(dB)	-1.5	-1.4	-2.7~-2.3
VSWR	1.7	1.7	<2.0
Return Loss	-11.4	-11.1	<-10.0
Efficiency (%)	70.6	72.3	54.0~60.0
Polarization mode	Linear		
Radiation pattern	Omni-Directional		
Output impedance	50		
Max.Input Power(W)	25		

Mechanical:

Mounting Type	Connector Mount
Connector Type	SMA-Male Standard (Raigt-Angle)
Antenna size(mm)	48.6XØ8mm
Material	ABS
Operating Temperature	-40°C~+85°C
Storage Temperature	-40°C~+85°C

Environmental:

Lead free, RoHS compliant.



UNLESS OTHERWISE SPECIFIED ALL DIMENSIONS ARE INCHES [MM]. TOLERANCES: EXCEPT AS NOTED

INCHES		HOLES	
.x	± .10	Øx	±.10
.xx	± .020	Ø.xx	±.015
.xxx	± .015	Ø.xxx	±.010

**ADAM
TECH**

909 Rahway Avenue,
 Union, NJ 07083
 Phone: 908-687-5000
 Fax: 908-687-5710

DRAWN	WX	12/15/21
CHECKED	RC	12/15/21
APPROVED		

TITLE: 868MHz 915MHz 2.4G WIFI EXTERNAL ANTENNA
 R/A, WITH SMA MALE

THIS DRAWING CONTAINS INFORMATION THAT IS PROPRIETARY AND SHOULD NOT BE USED WITHOUT PRIOR WRITTEN PERMISSION FROM ADAM TECH

SIZE	PART NO.	REV.
X	ANT-20090EB56	A

REF: S00207C SCALE: NTS SHEET 1 OF 1