

M5251-000005-100PG ✓ ACTIVE

TE Internal #: M5251-000005-100PG

TE Internal Description: PRESS XDCR M5251-000005-100PG

[View on TE.com >](#)



Product Compliance

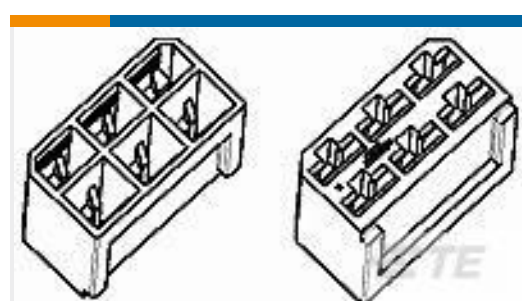
[For compliance documentation, visit the product page on TE.com>](#)

| | |
|---|---|
| EU RoHS Directive 2011/65/EU | Compliant |
| EU ELV Directive 2000/53/EC | Out of Scope |
| China RoHS 2 Directive MIIT Order No 32, 2016 | No Restricted Materials Above Threshold |
| EU REACH Regulation (EC) No. 1907/2006 | Current ECHA Candidate List: JUNE 2023 (235) Candidate List Declared Against: JAN 2020 (205) SVHC > Threshold: Dodecamethylcyclohexasiloxane (D6) (.85% in 736 RED GLUE) Article Safe Usage Statements: Wash thoroughly after handling. Recycle if possible and dispose of the article by following all applicable governmental regulations relevant to your geographic location. |
| Halogen Content | Not Yet Reviewed for halogen content |
| Solder Process Capability | Not reviewed for solder process capability |

Product Compliance Disclaimer

This information is provided based on reasonable inquiry of our suppliers and represents our current actual knowledge based on the information they provided. This information is subject to change. The part numbers that TE has identified as EU RoHS compliant have a maximum concentration of 0.1% by weight in homogenous materials for lead, hexavalent chromium, mercury, PBB, PBDE, DBP, BBP, DEHP, DIBP, and 0.01% for cadmium, or qualify for an exemption to these limits as defined in the Annexes of Directive 2011/65/EU (RoHS2). Finished electrical and electronic equipment products will be CE marked as required by Directive 2011/65/EU. Components may not be CE marked. Additionally, the part numbers that TE has identified as EU ELV compliant have a maximum concentration of 0.1% by weight in homogenous materials for lead, hexavalent chromium, and mercury, and 0.01% for cadmium, or qualify for an exemption to these limits as defined in the Annexes of Directive 2000/53/EC (ELV). Regarding the REACH Regulation, the information TE provides on SVHC in articles for this part number is based on the latest European Chemicals Agency (ECHA) 'Guidance on requirements for substances in articles' posted at this URL: <https://echa.europa.eu/guidance-documents/guidance-on-reach>

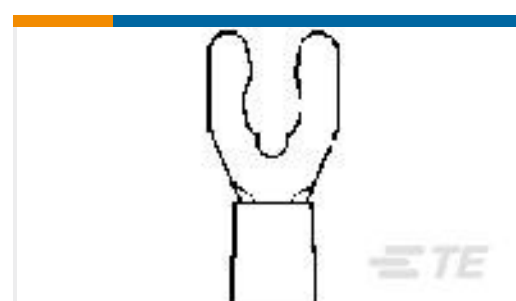
Customers Also Bought



TE Part #280314
FF 250 REC HSG 6P NYLON CLEAR



TE Part #282897-2
TERMI-BLOK PCB MOUNT 3LV2P.5,



TE Part #53240-2
PG SP SPD 22-16COMM22-18MIL 6



TE Part #2-520193-2
ULTRA-FAST 187 ASY REC 22-18 TPBR



Documents

CAD Files

Customer View Model

[ENG_CVM_CVM_M5251-000005-100PG_K.3d_stp.zip](#)

English

Customer View Model

[ENG_CVM_CVM_M5251-000005-100PG_K.3d_igs.zip](#)

English

3D PDF

3D

Customer View Model

[ENG_CVM_CVM_M5251-000005-100PG_K.2d_dxf.zip](#)

English

By downloading the CAD file I accept and agree to the [Terms and Conditions](#) of use.