

154BC-S-015PG-C ✓ ACTIVE

MEAS | MEAS 154 Series

TE Internal #: 154BC-S-015PG-C

TE Internal Description: 15 PSIG MV 316L PRESSURE SENSOR

19MM

19MM MV OUTPUT PRESSURE SENSOR

[View on TE.com >](#)



Sensors > Pressure Sensors > Media Isolated Pressure Sensors > 19MM MV OUTPUT PRESSURE SENSOR



Pressure: [15 psi]

Media Isolated Pressure Sensor Type: **Media Isolated mV Output Pressure Sensors**

Media Isolated Pressure Sensor Style: **Gauge**

Output/Span: **100mV**

Operating Temperature Range: **-40 – 125 °C [-40 – 257 °F]**

[All 19MM MV OUTPUT PRESSURE SENSOR \(1\)](#)

Features

Product Type Features

Media Isolated Pressure Sensor Type	Media Isolated mV Output Pressure Sensors
Media Isolated Pressure Sensor Style	Gauge

Configuration Features

Electrical Connection	Cable w/ Connector
Pressure Port/Fitting	O- Ring Mount

Electrical Characteristics

Supply Current	1.5 mA
----------------	--------

Dimensions

Dimensions	Dia 18.97 x 13.8 mm [Dia .746 x .54 in]
------------	---

Usage Conditions

Operating Temperature Range	-40 – 125 °C [-40 – 257 °F]
-----------------------------	-------------------------------

Operation/Application

Proof Pressure Range	2X
	15 psi
Output/Span	100mV



Packaging Features

Media Isolated Pressure Sensor Package	O-Ring Mount
--	--------------

Other

Non-Linearity	± .3 %
Sensor Options	316L Stainless Steel

Product Compliance

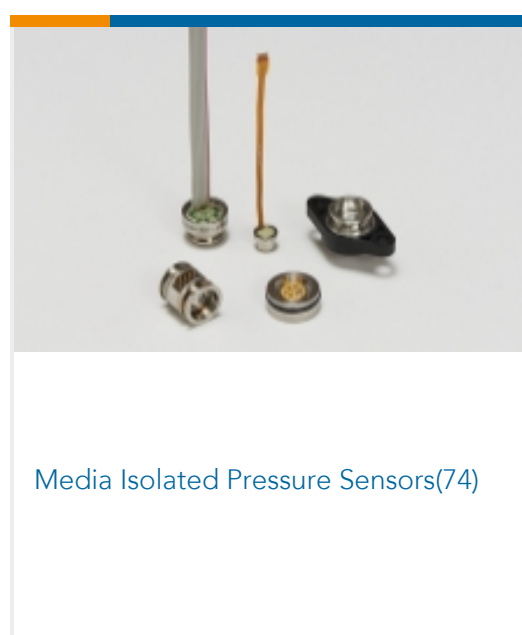
[For compliance documentation, visit the product page on TE.com>](#)

EU RoHS Directive 2011/65/EU	Compliant with Exemptions
EU ELV Directive 2000/53/EC	Compliant with Exemptions
China RoHS 2 Directive MIIT Order No 32, 2016	Restricted Materials Above Threshold
EU REACH Regulation (EC) No. 1907/2006	Current ECHA Candidate List: JUNE 2023 (235) Candidate List Declared Against: JUN 2020 (209) Does not contain REACH SVHC
Halogen Content	Not Yet Reviewed for halogen content
Solder Process Capability	Not reviewed for solder process capability

Product Compliance Disclaimer

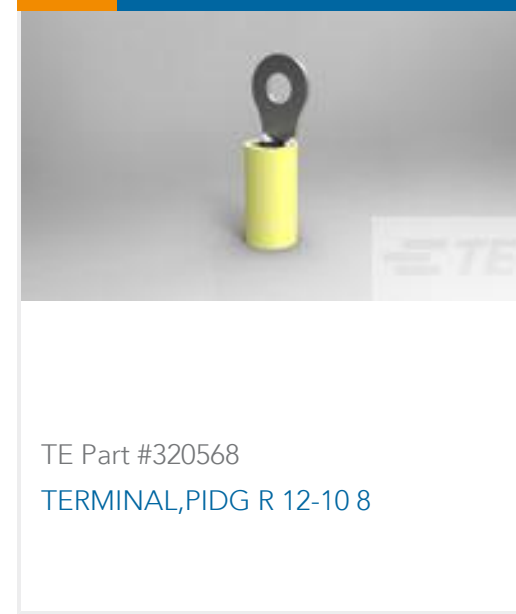
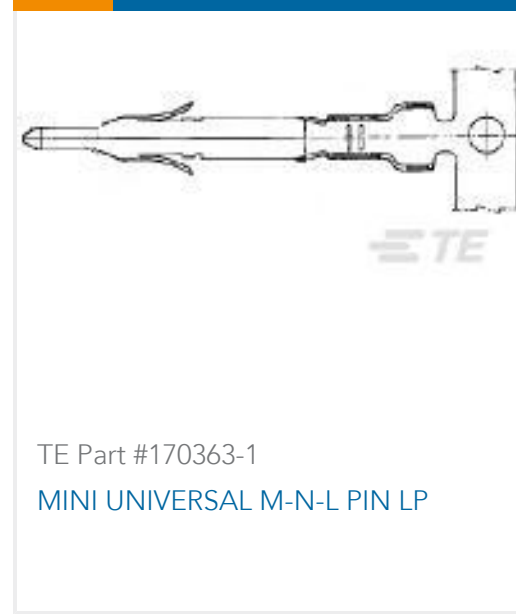
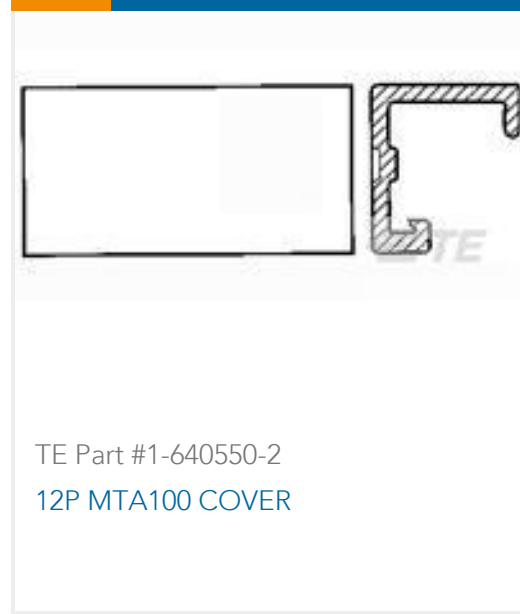
This information is provided based on reasonable inquiry of our suppliers and represents our current actual knowledge based on the information they provided. This information is subject to change. The part numbers that TE has identified as EU RoHS compliant have a maximum concentration of 0.1% by weight in homogenous materials for lead, hexavalent chromium, mercury, PBB, PBDE, DBP, BBP, DEHP, DIBP, and 0.01% for cadmium, or qualify for an exemption to these limits as defined in the Annexes of Directive 2011/65/EU (RoHS2). Finished electrical and electronic equipment products will be CE marked as required by Directive 2011/65/EU. Components may not be CE marked. Additionally, the part numbers that TE has identified as EU ELV compliant have a maximum concentration of 0.1% by weight in homogenous materials for lead, hexavalent chromium, and mercury, and 0.01% for cadmium, or qualify for an exemption to these limits as defined in the Annexes of Directive 2000/53/EC (ELV). Regarding the REACH Regulation, the information TE provides on SVHC in articles for this part number is based on the latest European Chemicals Agency (ECHA) 'Guidance on requirements for substances in articles' posted at this URL: <https://echa.europa.eu/guidance-documents/guidance-on-reach>

Also in the Series | MEAS 154 Series



Media Isolated Pressure Sensors(74)

Customers Also Bought



Documents

CAD Files

3D PDF

3D

Customer View Model

[ENG_CVM_CVM_154BC-S-015PG-C_A.2d_dxf.zip](#)

English

Customer View Model

[ENG_CVM_CVM_154BC-S-015PG-C_A.3d_igs.zip](#)

English

Customer View Model

[ENG_CVM_CVM_154BC-S-015PG-C_A.3d_stp.zip](#)

English

By downloading the CAD file I accept and agree to the [Terms and Conditions](#) of use.

Datasheets & Catalog Pages

154BC

English