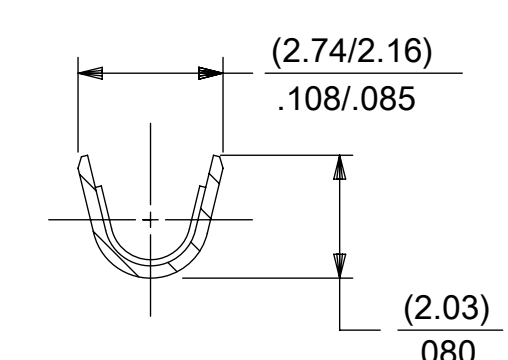
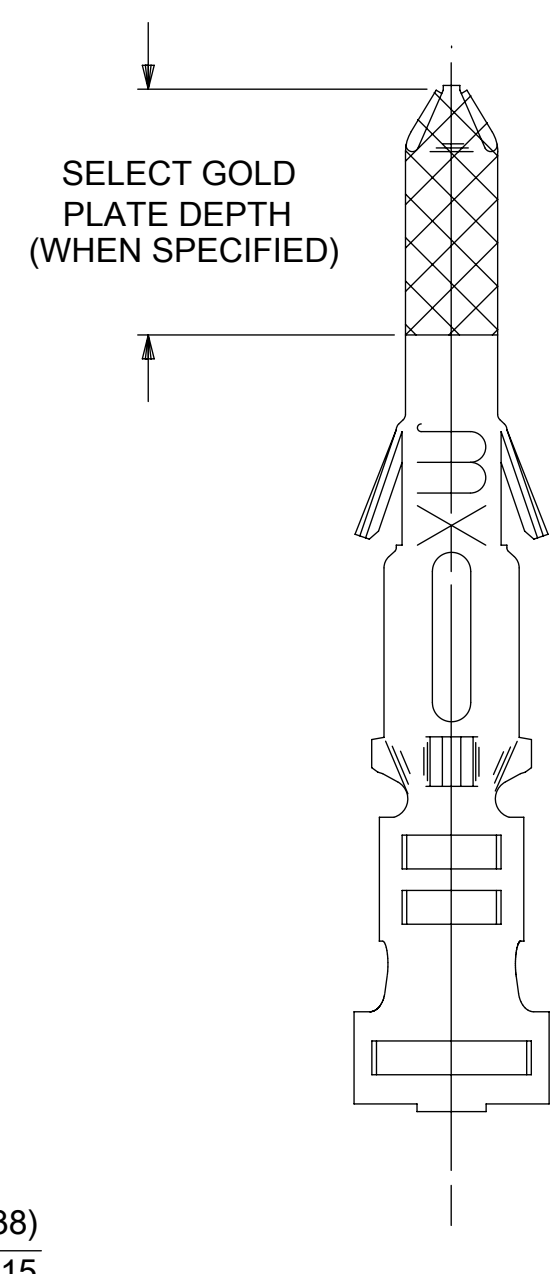
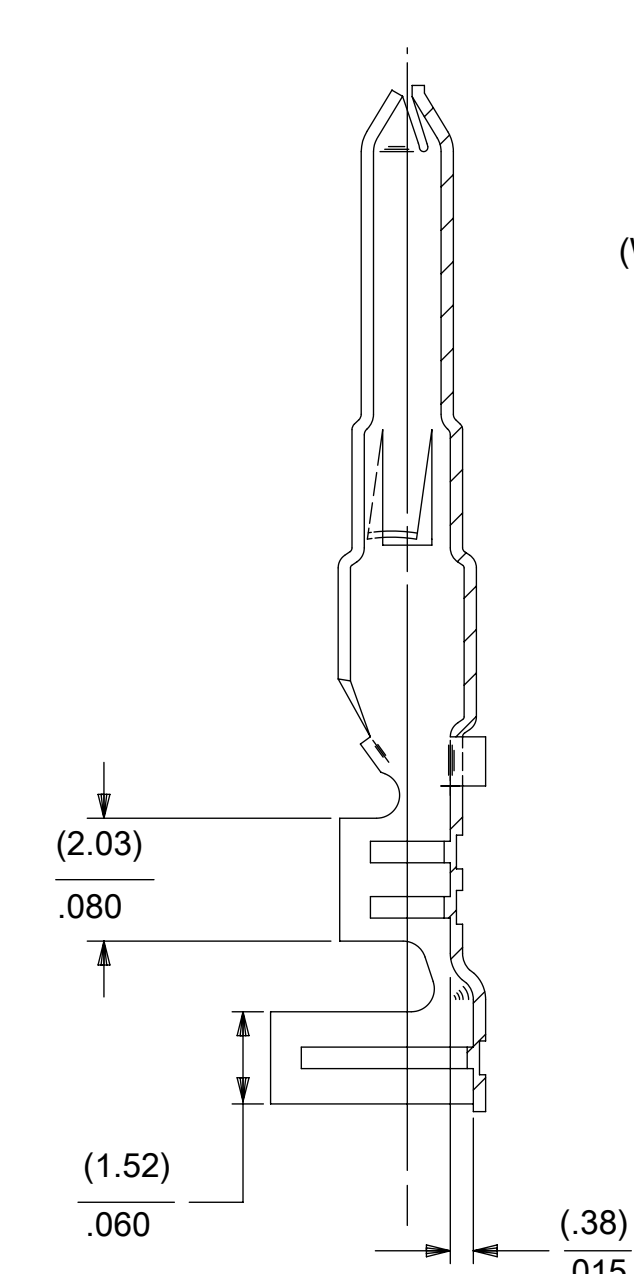
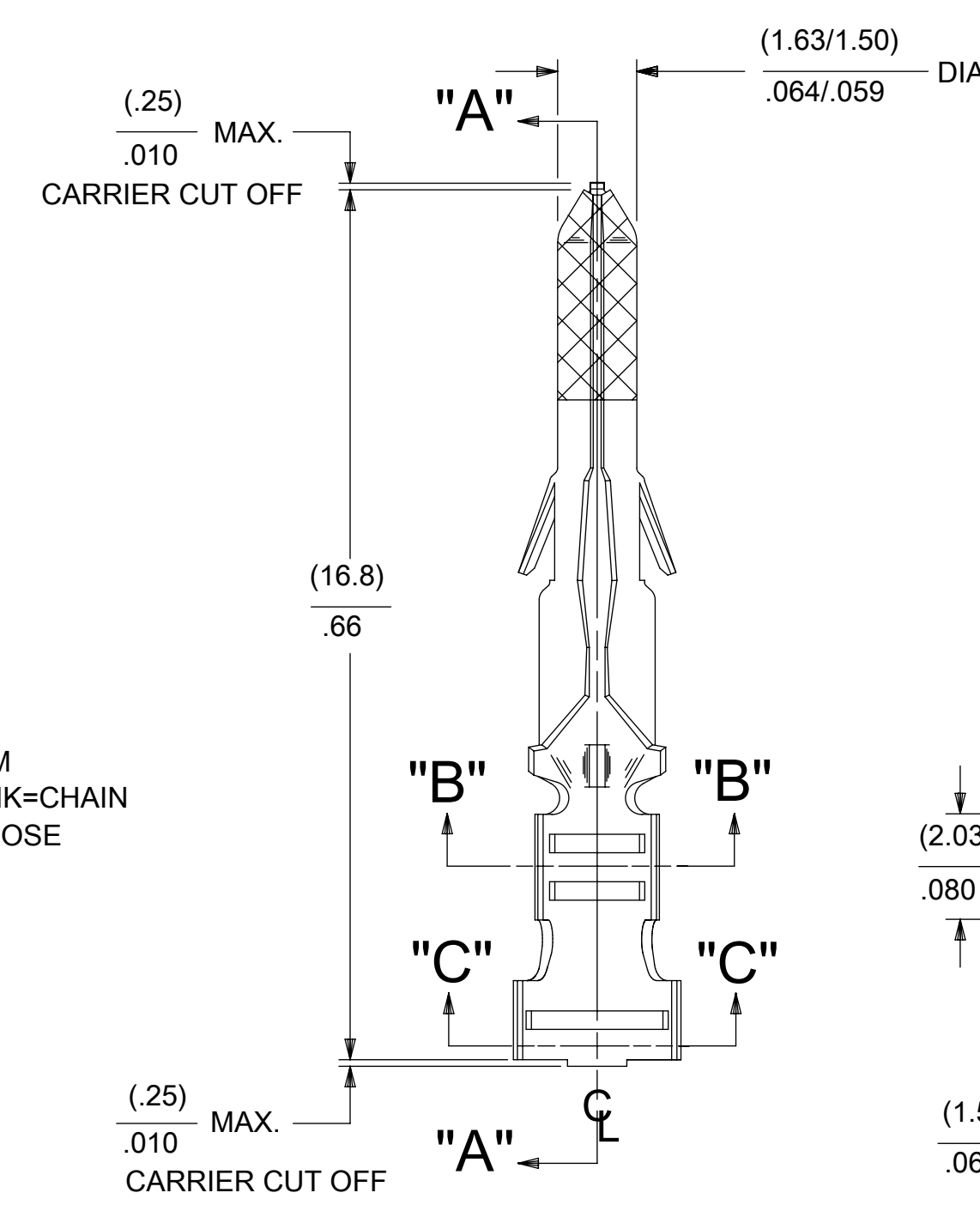
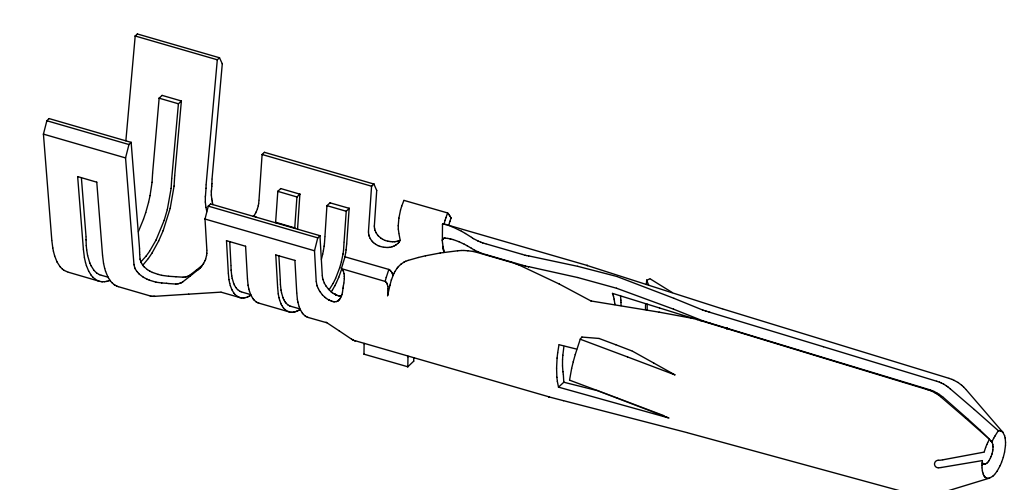
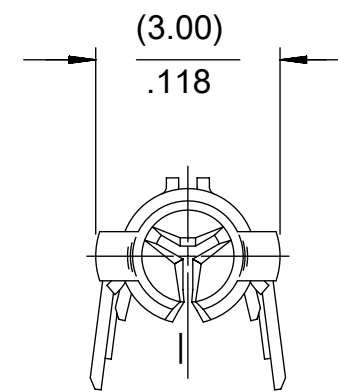
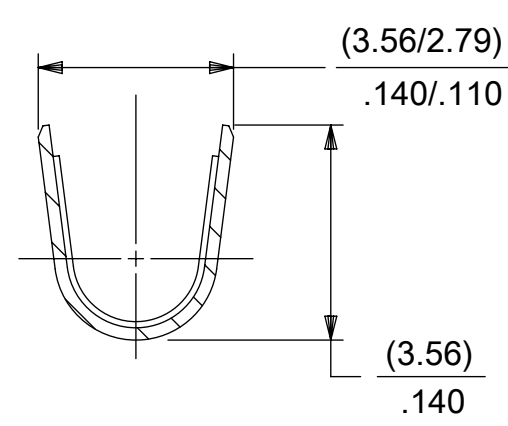


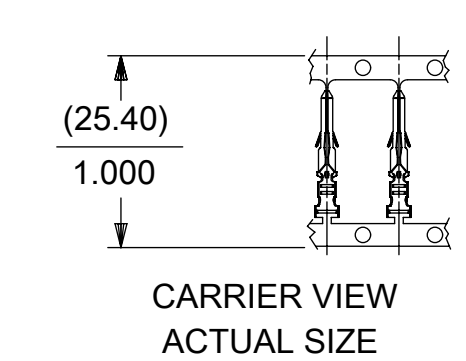
PART NO.	ENG. NO.
02-06-2101	1560-(P901)
02-06-2103	1560-(P901)L
02-06-6101	1560-(561)
02-06-6102	1560-(561)L
02-06-6118	1560-(228)
02-06-6119	1560-(228)L
02-06-6100	1560-(550)
02-06-6103	1560-(550)L



SECT. "B-B"
SCALE:10X



SECT. "C-C"
SCALE:10X



CARRIER VIEW
ACTUAL SIZE

SECT. "A-A"

LEGEND

1560-*****)*

P=PREPLATE
BLANK=POSTPLATE
FINISH CODE

FORM
BLANK=CHAIN
L=LOOSE

NOTES:

- MATERIAL: BRASS
- FINISHES:
 - 901 HOT TIN DIP (.00051)/.000020 MIN.
 - 228 SELECT GOLD PLATE (.00075)/.000030 MIN. IN CONTACT AREA, SELECT TIN (.00250)/.000100 MIN. IN CRIMP AREA OVER (.00125)/.000050 MIN. NICKEL OVERALL.
 - 231 SELECT GOLD PLATE (.00125)/.000050 MIN. IN CONTACT AREA, SELECT TIN (.00250)/.000100 MIN. IN CRIMP AREA OVER (.00125)/.000050 MIN. NICKEL OVERALL.
 - 561 SELECT GOLD PLATE (.00076)/.000030 MIN. IN CONTACT AREA, OVER (.00127)/.000050 MIN. NICKEL OVERALL.
 - 591 SELECT GOLD PLATE (.00127)/.000050 MIN. IN CONTACT AREA, OVER (.00127)/.000050 MIN. NICKEL OVERALL WITH (.000025)/.000010 MAX. GOLD FLASH OVERALL.
 - 550 SELECT GOLD PLATE (.00038)/.000015 MIN. IN CONTACT AREA, OVER (.00076)/.000030 MIN. NICKEL OVERALL WITH (.000025)/.000010 MAX. GOLD FLASH OVERALL.
- PRODUCT SPECIFICATION: PS-02-06
- PACKAGING INFORMATION:
 - LOOSE TERMINALS: PK-1190-003
 - CHAIN TERMINALS: 15600000-PK
- TERMINAL FOR USE WITH (1.57)/.062 DIA. SERIES HOUSINGS AND WILL ACCEPT 18 THRU 24 AWG WIRE.

THIS DRAWING CONTAINS INFORMATION THAT IS PROPRIETARY TO MOLEX ELECTRONIC TECHNOLOGIES, LLC AND SHOULD NOT BE USED WITHOUT WRITTEN PERMISSION									
DIMENSION UNITS		SCALE		CURRENT REV DESC: OBSOLETE PART NUMBER AS PER PCN#509988					
MM/IN		8:1		<p>CRIMP TERMINAL, MALE .062 DIA. FOR 18-24 AWG WIRE</p> <p>PRODUCT CUSTOMER DRAWING</p>					
GENERAL TOLERANCES (UNLESS SPECIFIED)									
	MM	INCH							
4 PLACES	±	±							
3 PLACES	±	±	0.01						
2 PLACES	±	0.25	± 0.014						
1 PLACE	±	0.35	±						
0 PLACES	±	±							
ANGULAR TOL ± 0.5 °				THIRD ANGLE PROJECTION		DRAWING		SERIES	
DRAFT WHERE APPLICABLE MUST REMAIN WITHIN DIMENSIONS						C-SIZE		1560	
DOCUMENT NUMBER		DOC TYPE		DOC PART		REVISION			
SD-1560-X		PSD		001		AP2			
MATERIAL NUMBER		CUSTOMER		SHEET NUMBER					
SEE TABLE		GENERAL MARKET		1 OF 1					

DOCUMENT STATUS	P1	RELEASE DATE	2022/05/24	10:34:32
-----------------	----	--------------	------------	----------