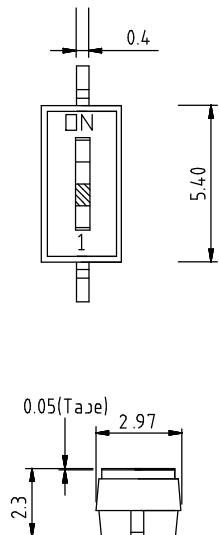


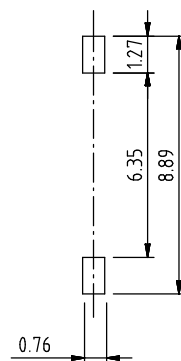
DIMENSIONS



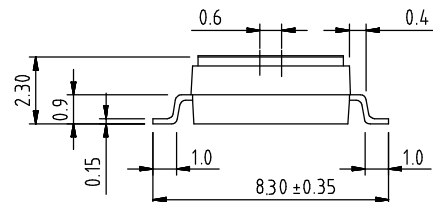
SCHEMATIC



P.C.B LAYOUT



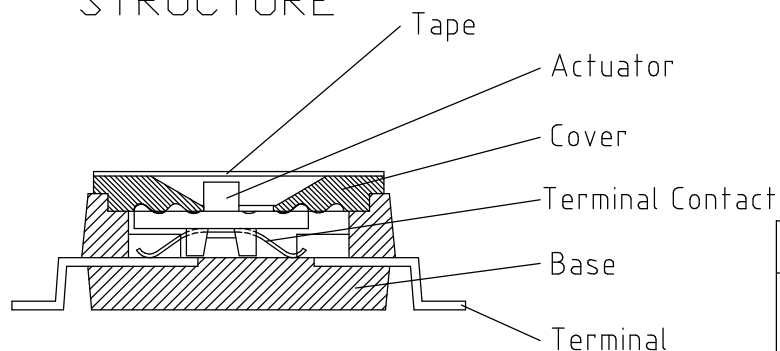
Rating (Resistive load):25mA 24VDC
Contact Resistance:100mΩ Max
Insulation Resistance:100MΩ Min
Dielectric Strength:500VAC 1 minute
Electrical life:1,000 cycles
Mechanical life:2,000 cycles
Operating Temperature:-30°C~85°C



Poles(N) A Dimension(mm)

01	2.97	✓
02	4.12	
03	5.41	
04	6.66	
05	7.93	
06	9.20	
08	11.74	
10	14.28	
TOLERANCE:±0.1mm		

STRUCTURE



MATERIAL

Part Name	Material	Finished
Base	PPS	Black
Cover	PPS	Black
Actuator	Nylon	White
Movable	Beryllium	1μ" Gold
Terminal Contact	Brass	3μ" Gold
Terminal	Brass	1μ" Gold
Tape	Polyimide	Amber

Tolerance
0.1 - 100 : ±0.1
100 - 500 : ±0.2
500 - 1000 : ±0.3
1000 - 2000 : ±0.4



版本 VER	变更说明 CHANGE DESCRIPTION	日期 DATE	ECN NO.	版本 VERSION	A0	比例尺 SCALE	1:1	日期 DATE	2024.01.10	品名 TITLE	图号 DRAWING NO
核准	核 对	绘 图	赵华玲	核 准		核 对		绘 图	赵华玲	DSP-DSHP01TSGET	XXXXXXX
APPROVED BY	CHECKED BY	DRAWN BY		APPROVED BY		CHECKED BY		DRAWN BY			