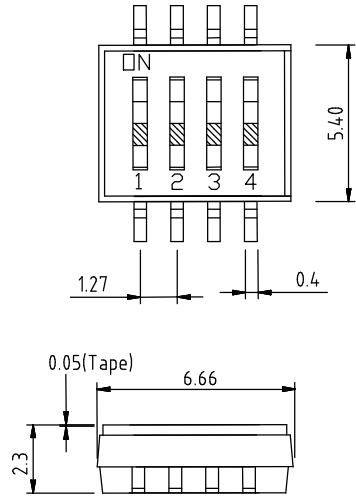
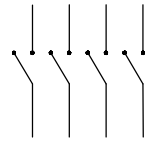


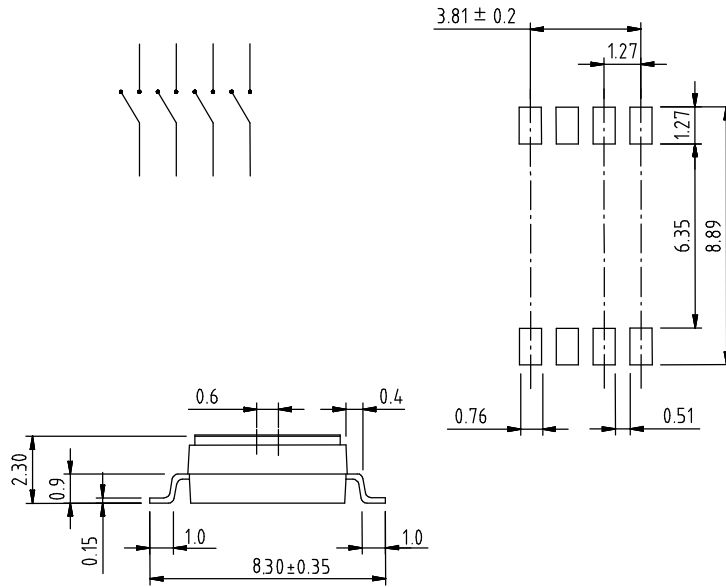
DIMENSIONS



SCHEMATIC



P.C.B LAYOUT

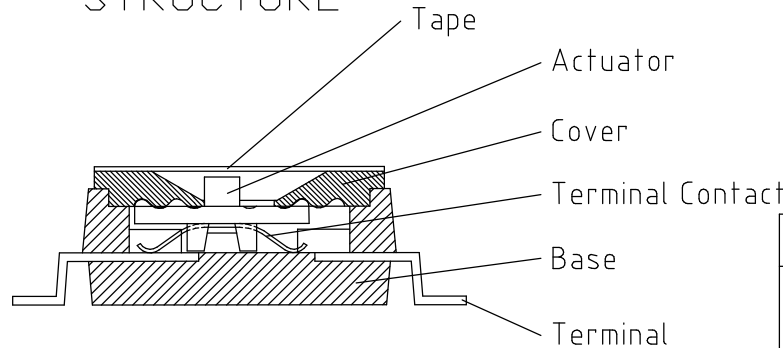


Rating (Resistive load):25mA 24VDC
Contact Resistance:100mΩ Max
Insulation Resistance:100MΩ Min
Dielectric Strength:500VAC 1 minute
Electrical life:1,000 cycles
Mechanical life:2,000 cycles
Operating Temperature:-30°C~85°C

Poles(N) A Dimension(mm)

01	2.97	
02	4.12	
03	5.41	
04	6.66	✓
05	7.93	
06	9.20	
08	11.74	
10	14.28	
TOLERANCE:±0.1mm		

STRUCTURE



MATERIAL

Part Name	Material	Finished
Base	PPS UL94 V0	Black
Cover	PPS UL94 V0	Black
Actuator	Nylon UL94 V0	White
Movable	Beryllium	1μ" Gold
Terminal Contact	Brass	3μ" Gold
Terminal	Brass	1μ" Gold
Tape	Polyimide	Amber

Tolerance
0.1 - 100 : ±0.1
100 - 500 : ±0.2
500 - 1000 : ±0.3
1000 - 2000 : ±0.4



版本 VER	变更说明 CHANGE DESCRIPTION	日期 DATE	ECN NO.	版本 VERSION	A0	比例尺 SCALE	1:1	日期 DATE	2024.01.10	品名 TITLE	DSP-DSHP04TSGET	图号 DRAWING NO	XXXXXXX
				核准 APPROVED BY		核对 CHECKED BY		绘图 DRAWN BY	赵华玲				