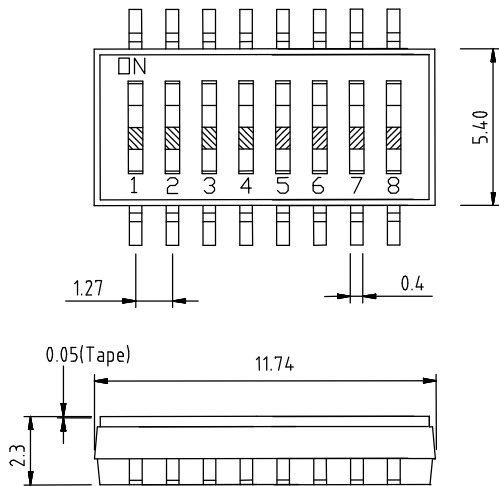
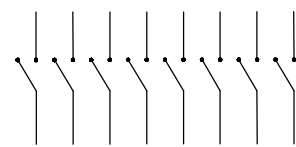


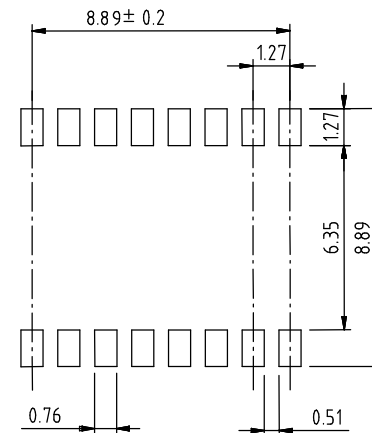
### DIMENSIONS



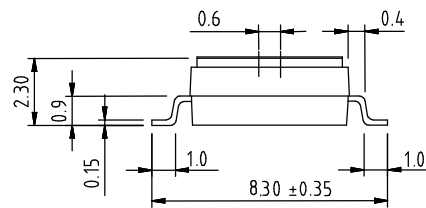
### SCHEMATIC



### P.C.B LAYOUT



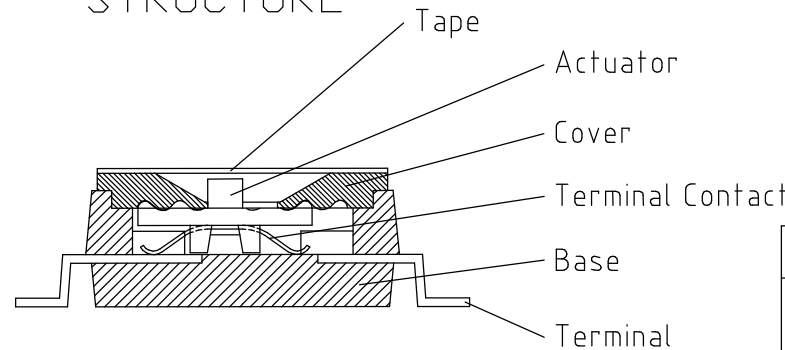
**Rating (Resistive load):**25mA 24VDC  
**Contact Resistance:**100mΩ Max  
**Insulation Resistance:**100MΩ Min  
**Dielectric Strength:**500VAC 1 minute  
**Electrical life:**1,000 cycles  
**Mechanical life:**2,000 cycles  
**Operating Temperature:**-30°C~85°C



Poles(N) A Dimension(mm)

01	2.97	
02	4.12	
03	5.41	
04	6.66	
05	7.93	
06	9.20	
08	11.74	✓
10	14.28	
TOLERANCE:±0.1mm		

### STRUCTURE



### MATERIAL

Part Name	Material	Finished
Base	PPS UL94 V0	Black
Cover	PPS UL94 V0	Black
Actuator	Nylon UL94 V0	White
Movable	Beryllium	1μ" Gold
Terminal Contact	Brass	3μ" Gold
Terminal	Brass	1μ" Gold
Tape	Polyimide	Amber

Tolerance
0.1- 100 : ±0.1
100- 500 : ±0.2
500-1000 : ±0.3
1000-2000 : ±0.4



				版本 VERSION	A0	比例尺 SCALE	1:1	日期 DATE	2024.01.10	品名 TITLE	图号 DRAWING NO
				核准 APPROVED BY		核对 CHECKED BY		绘图 DRAWN BY	赵华玲	DSP-DSHP08TSGET	XXXXXXX
版本 VER	变更说明 CHANGE DESCRIPTION	日期 DATE	ECN NO.								