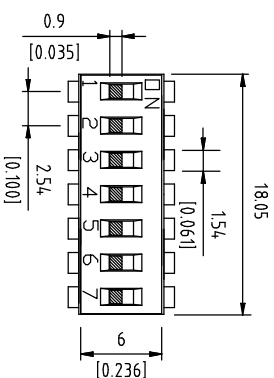
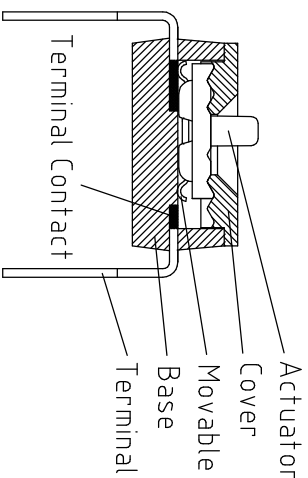
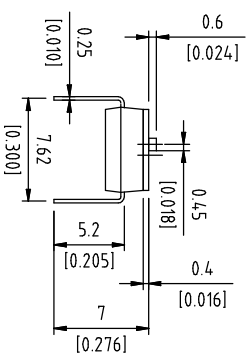
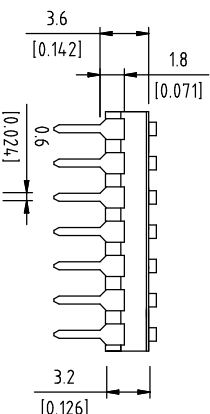


DIMENSIONS

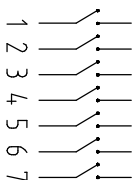


Poles(N)	A (mm)
01	2.85
02	5.28
03	7.82
04	10.36
05	12.90
06	15.44
07	18.05
08	20.52
09	23.06
10	25.55
12	30.60

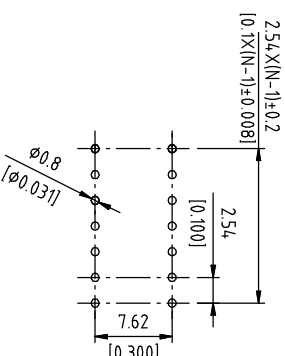


Part Name	Material	Finish
Base	PPS UL94 V0	Black
Cover	PPS UL94 V0	Black
Actuator	Nylon UL94 V0	White
Movable	Copper Alloy	Gold
Terminal Contact	Brass	Gold
Terminal	Brass	Gold / Tin

SCHEMATIC



P.C.B LAYOUT



DS IC XX L H X X T
 1 2 3 4 5 6 7 8

位置	内容	表示
1	Series	DS
2	Type	IG
3	N Poles	01
		02
		03
		04
		05
		06
		07
		08
		09
		10
		12
4	Actuator	L
5	Terminal	H
6	Finish	G
7	Finish	E
		F
		A
		B
		G
8	Packing	T

Rating (Resistive load):25mA 24VDC
 Contact Resistance:100mΩ Max
 Insulation Resistance:100MΩ Min
 Dielectric Strength:500VAC 1 minute
 Electrical life:1,000 cycles
 Mechanical life:2,000 cycles
 Operating Temperature:-30°C~85°C



东莞市德芯电子有限公司
 D-SWITCH ELECTRONICS CO.,LTD

公差 TOLERANCES .X±0.35 .XX±0.3 .XXX±0.15

单位 DIMENSION UNIT mm.

版本 VER	变更说明 CHANGE DESCRIPTION	日期 DATE	ECON NO.	核准 APPROVED BY	核对 CHECKED BY	日期 DATE	绘图 DRAWN BY	品名 TITLE	图号 DRAWING NO
								DSP-DSIC07LHGET	XXXXXXX