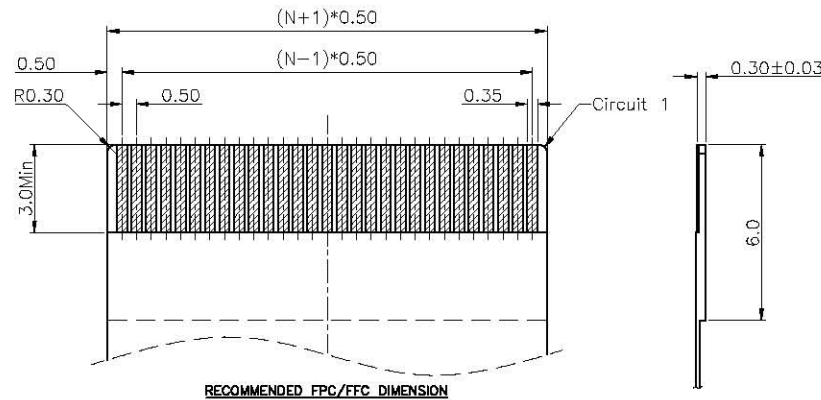
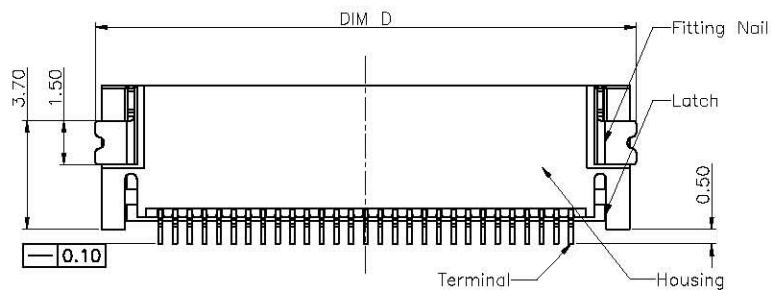
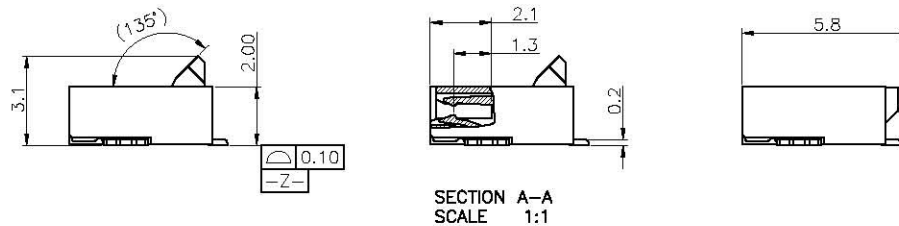
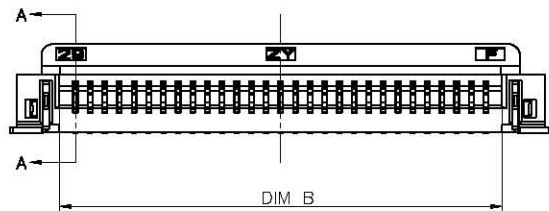


RECOMMENDED P.C.B PATTERN LAYOUT

CKTS	DIM A	DIM B	DIM C	DIM D
4	1.50	2.60	5.50	5.95
5	2.00	3.10	6.00	6.45
6	2.50	3.60	6.50	6.95
7	3.00	4.10	7.00	7.45
8	3.50	4.60	7.50	7.95
9	4.00	5.10	8.00	8.45
10	4.50	5.60	8.50	8.95
11	5.00	6.10	9.00	9.45
12	5.50	6.60	9.50	9.95
13	6.00	7.10	10.00	10.45
14	6.50	7.60	10.50	10.95
15	7.00	8.10	11.00	11.45
16	7.50	8.60	11.50	11.95
17	8.00	9.10	12.00	12.45
18	8.50	9.60	12.50	12.95
19	9.00	10.10	13.00	13.45
20	9.50	10.60	13.50	13.95
21	10.00	11.10	14.00	14.45
22	10.50	11.60	14.50	14.95
23	11.00	12.10	15.00	15.45
24	11.50	12.60	15.50	15.95
25	12.00	13.10	16.00	16.45
26	12.50	13.60	16.50	16.95
27	13.00	14.10	17.00	17.45
28	13.50	14.60	17.50	17.95
29	14.00	15.10	18.00	18.45
30	14.50	15.60	18.50	18.95
31	15.00	16.10	19.00	19.45
32	15.50	16.60	19.50	19.95
33	16.00	17.10	20.00	20.45
34	16.50	17.60	20.50	20.95
35	17.00	18.10	21.00	21.45
36	17.50	18.60	21.50	21.95
37	18.00	19.10	22.00	22.45
38	18.50	19.60	22.50	22.95
39	19.00	20.10	23.00	23.45
40	19.50	20.60	23.50	23.95
41	20.00	21.10	24.00	24.45
42	20.50	21.60	24.50	24.95
43	21.00	22.10	25.00	25.45
44	21.50	22.60	25.50	25.95
45	22.00	23.10	26.00	26.45
46	22.50	23.60	26.50	26.95
47	23.00	24.10	27.00	27.45
48	23.50	24.60	27.50	27.95
49	24.00	25.10	28.00	28.45
50	24.50	25.60	28.50	28.95
51	25.00	26.10	29.00	29.45
52	25.50	26.60	29.50	29.95
53	26.00	27.10	30.00	30.45
54	26.50	27.60	30.50	30.95
55	27.00	28.10	31.00	31.45
56	27.50	28.60	31.50	31.95
57	28.00	29.10	32.00	32.45
58	28.50	29.60	32.50	32.95
59	29.00	30.10	33.00	33.45
60	29.50	30.60	33.50	33.95



Note:

- Material:
 - Housing: thermoplastic high temp.UL94V-0; Color: natural.
 - Latch: thermoplastic high temp.UL94V-0; Color: black.
 - Terminal: copper alloy T=0.15mm
 - Fitting Nail: copper alloy T=0.20mm
- Finsh:
 - Terminal: Underplating: matt Tin overall.
 - Fitting Nail: Underplating: matt Tin overall.
- Product must comply HF RoHS specification.

CUSTOMER DRAWING

Tolerance Unspecified (未注公差)	Size(图幅): A4
0.0 +0.15 0° +5°	Unit(单位): MM
0.00 +0.10 0°0 ±3°	Scale(比例): 1:1
0.000 +0.05 0°00 ±1°	Page(页数): 1 OF 1
Project View (投影规则): 第一角	Rev(版本): A

L&X 深圳市连欣科技有限公司

Product Name(产品名称): 0.5Pitch H=2.0 FPC Easy-on CONN RA SMT Type Back-Flip
 Product No(产品料号): XDFC-0522-**P

Rev	Date	Revisior
初版发行	2012/01/03	Allan
变更描述	日期	制/修订人
变更内容		

Designer(设计): Allan 01/03'12
 Checked(审核):
 Approved(核准):