

RECOMMENDED PCB LAYOUT
TOLERANCE:±0.05



PS-70 54 S V X-6P L

Push Switch

Switch Type
70=7.0×7.0mm

Switch Height
54=5.4mm

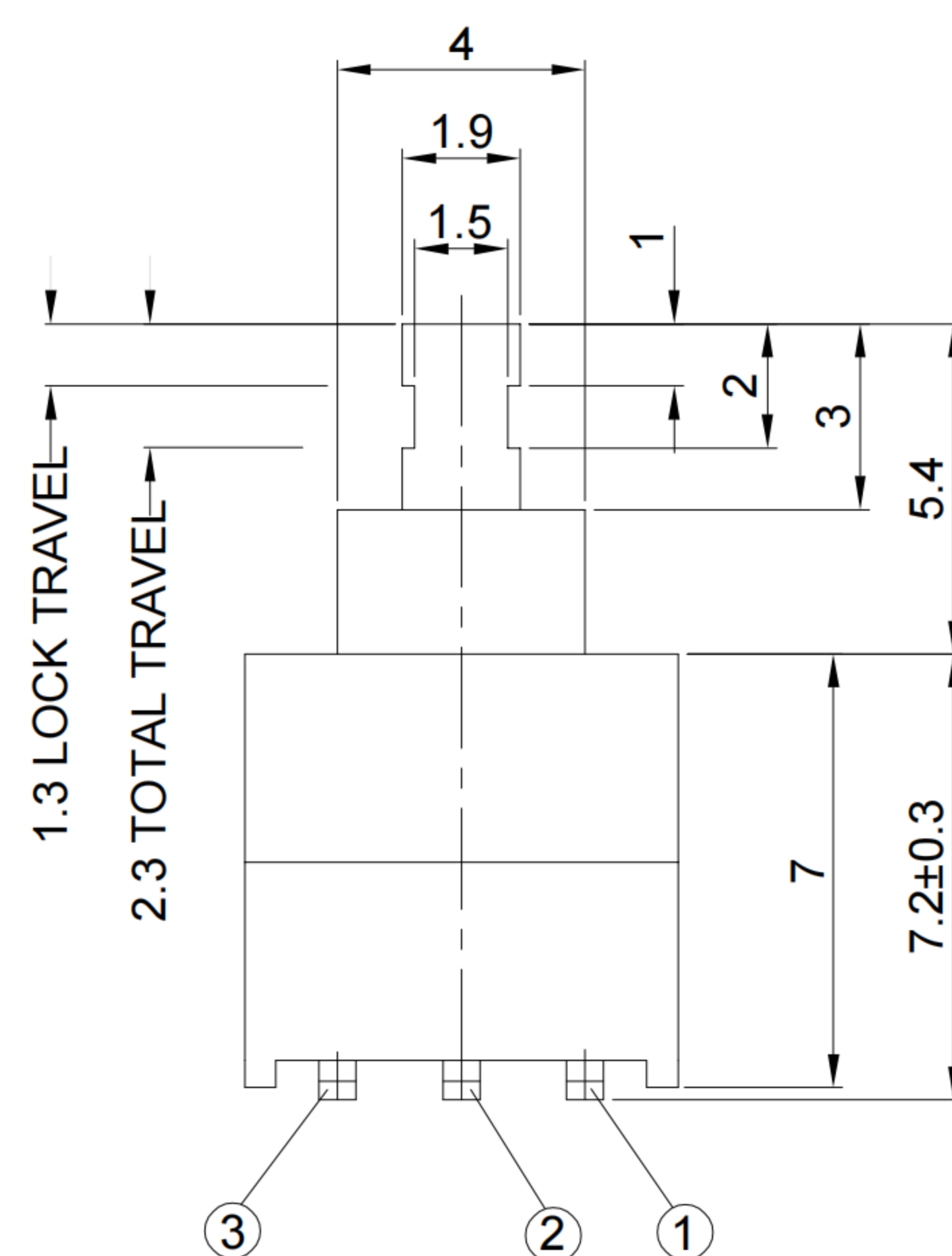
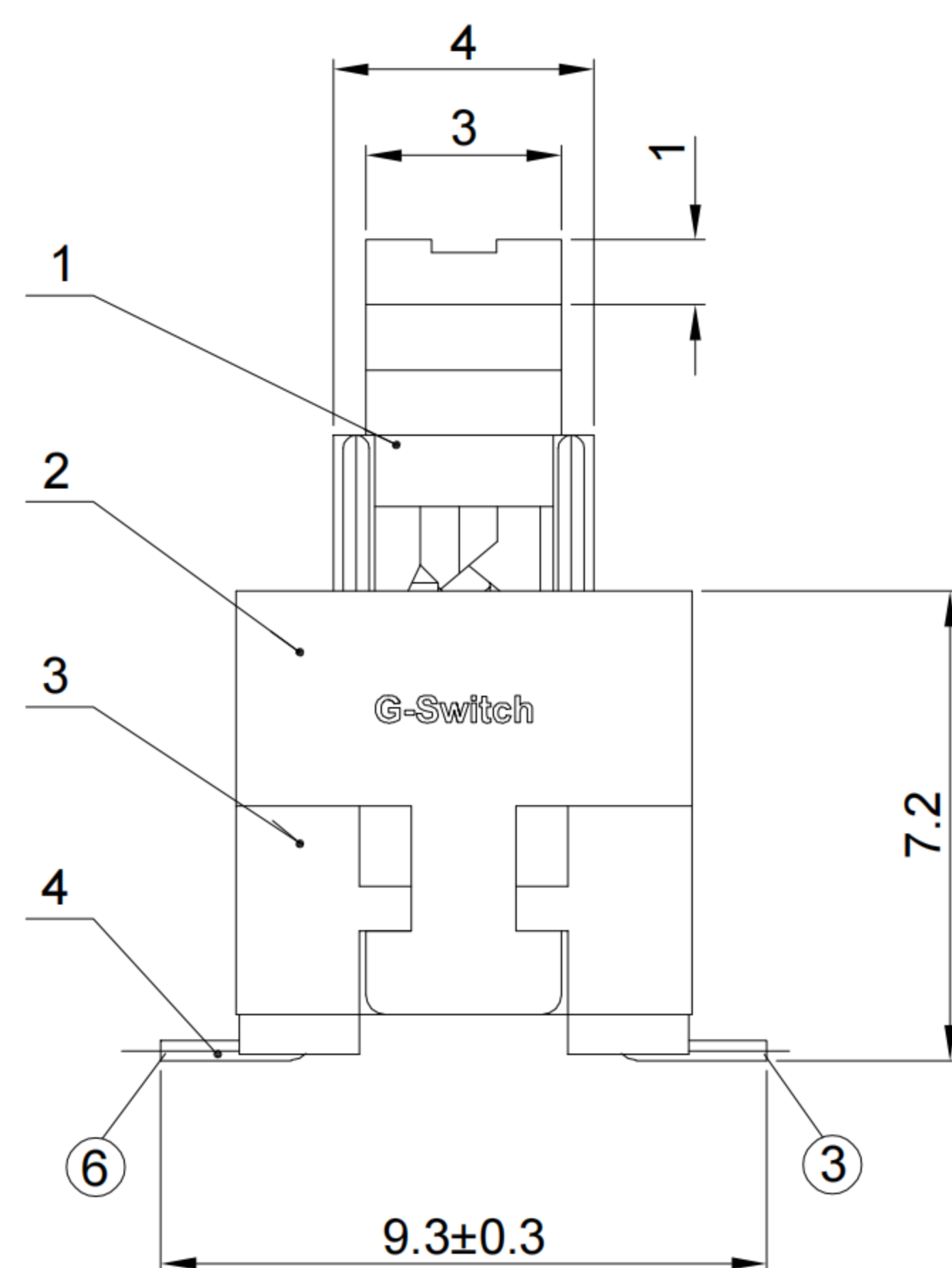
Foot Type
S=SMT

Switch Function
N=No Lock
L=Lock

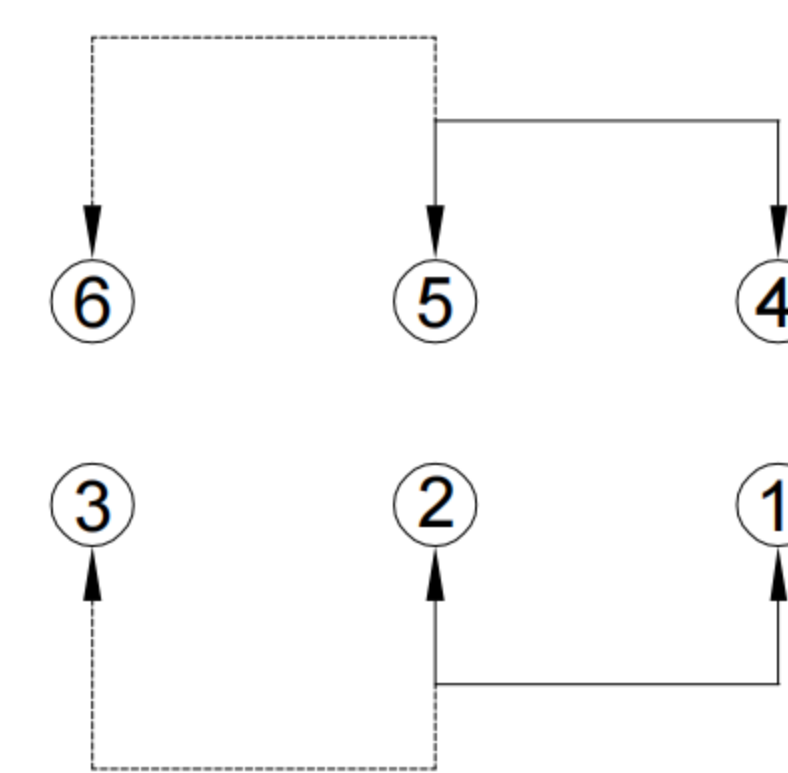
Foot Position
6P=6pin

Operating Force
A=180gf
B=250gf
D=400gf

Type
V=Vertical



PUSH-ON:
2-3,5-6 Conduction
Contact Travel: 1.0-1.15mm
PUSH-OFF:
1-2,4-5 Conduction
Contact Travel: 0.5-0.65mm



CIRCUIT DIAGRAM

G-Switch Specification:

1. Operating temperature range: -40°C ~ +85°C
2. Rating: 0.1A.30V DC
3. Insulation resistance: 100MΩ min.100V DC
4. Dielectric strength: 500V AC for 1 min
5. Contact resistance: 100mΩ max.
6. Poles-Throws: 2P2T
7. Switch lifetime: 10,000Cycles

NO.	PART NAME	MATERIAL	REMARK
6	CAM STICK	SUS	NATURAL
5	SPRING	SUS	NATURAL
4	TERMINAL	BRASS STRIP	Ag PIATED
3	CASE	NYLON PPA	BLACK
2	COVER	NYLON PPA	BLACK
1	KNOB	NYLON PPA	BLACK/Ag CLAD



SCALE: 1:1 UNIT: mm
SIZE: A4

Unless otherwise
General Tolerance:
≥10 ±0.30
1.5-10 ±0.20
≤1.5 ±0.10

Title: Vertical Push Switch
SMT 7.0×7.0×12.4mm

Molde Code: PS-7054SVX-6PL

DRAWN	CHECKED	APPROVED	DATE
Xia	Chen	Chen	2023.02.01



REV: A0 SHEET: 1/1