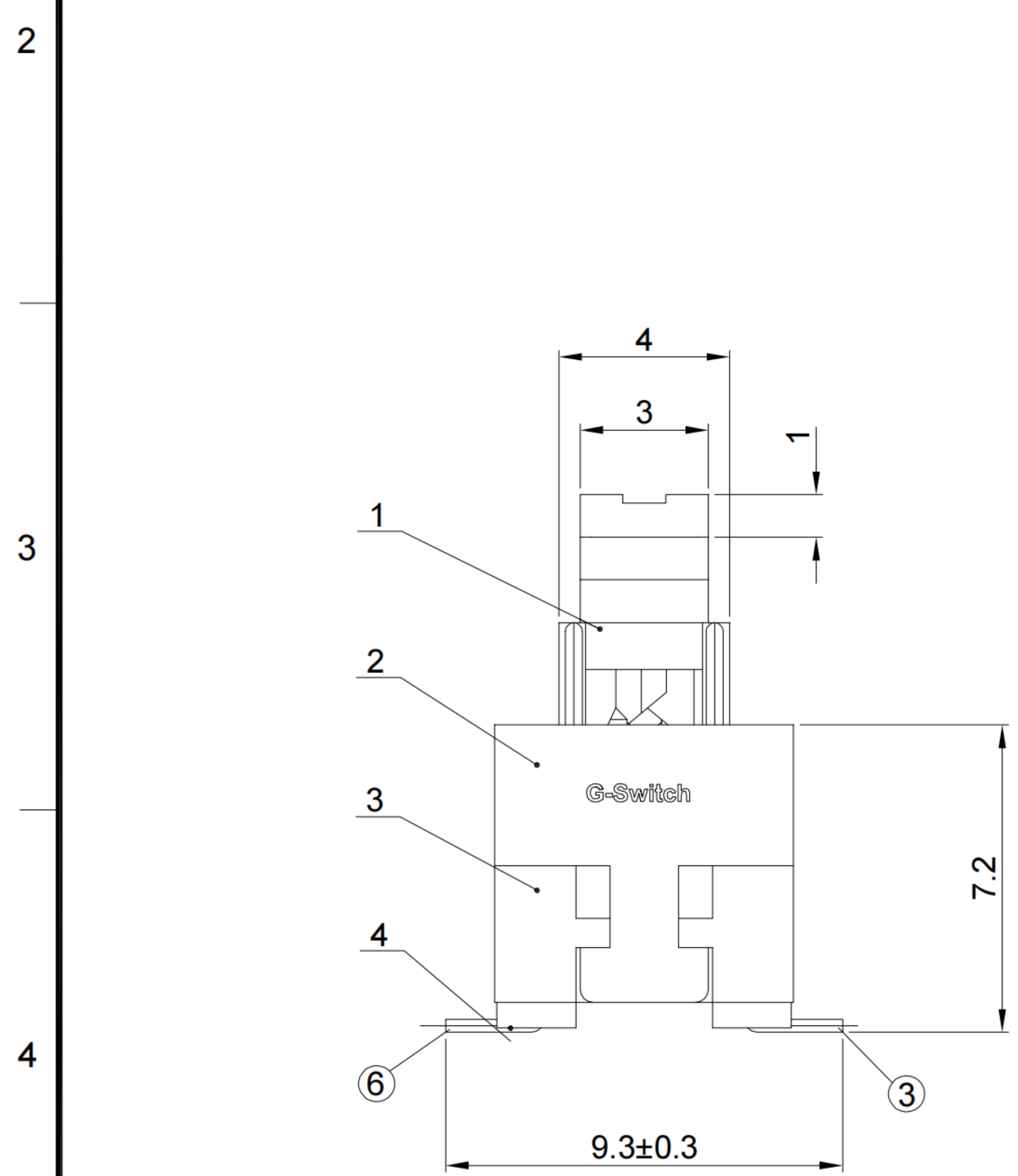
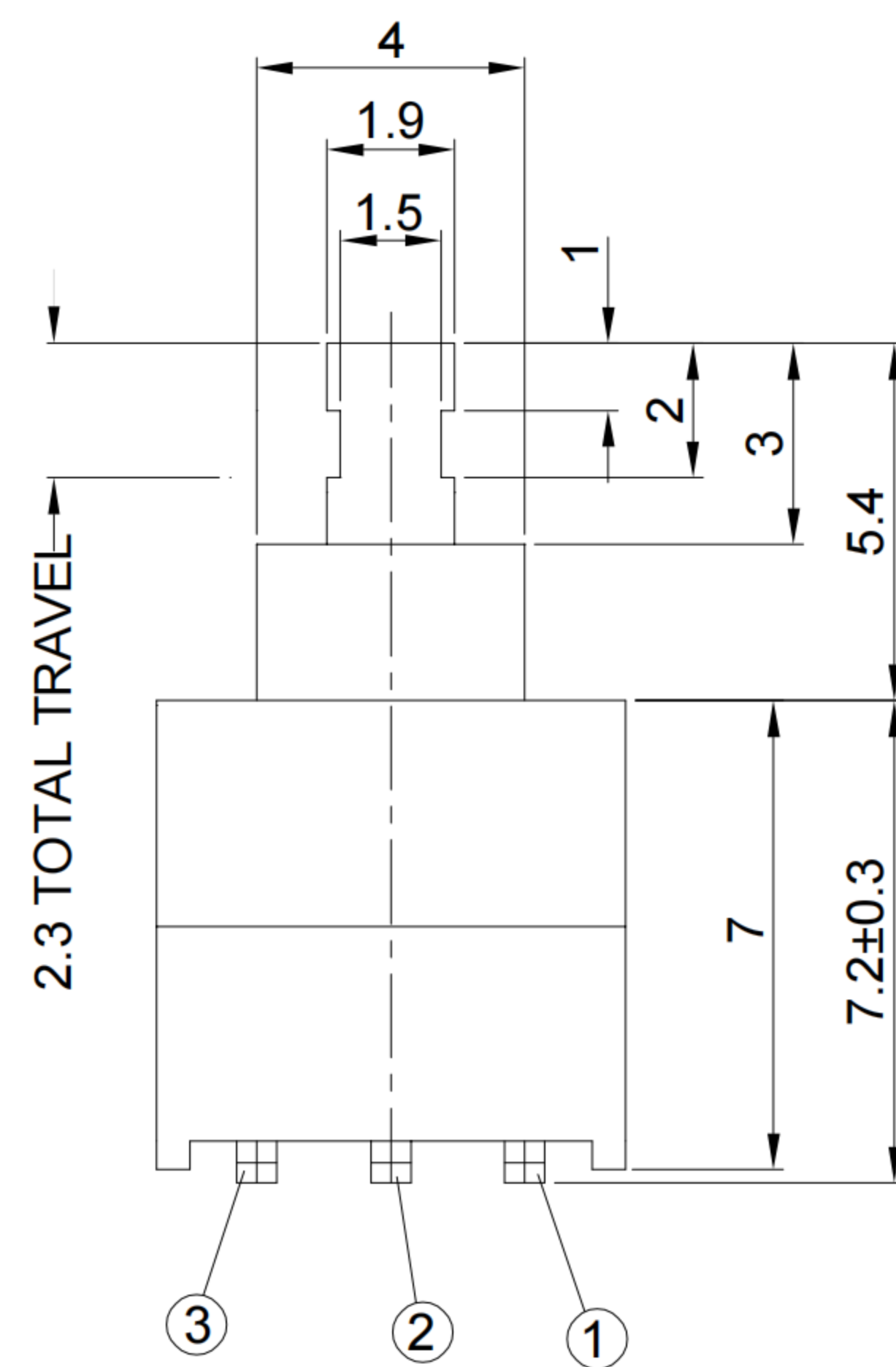


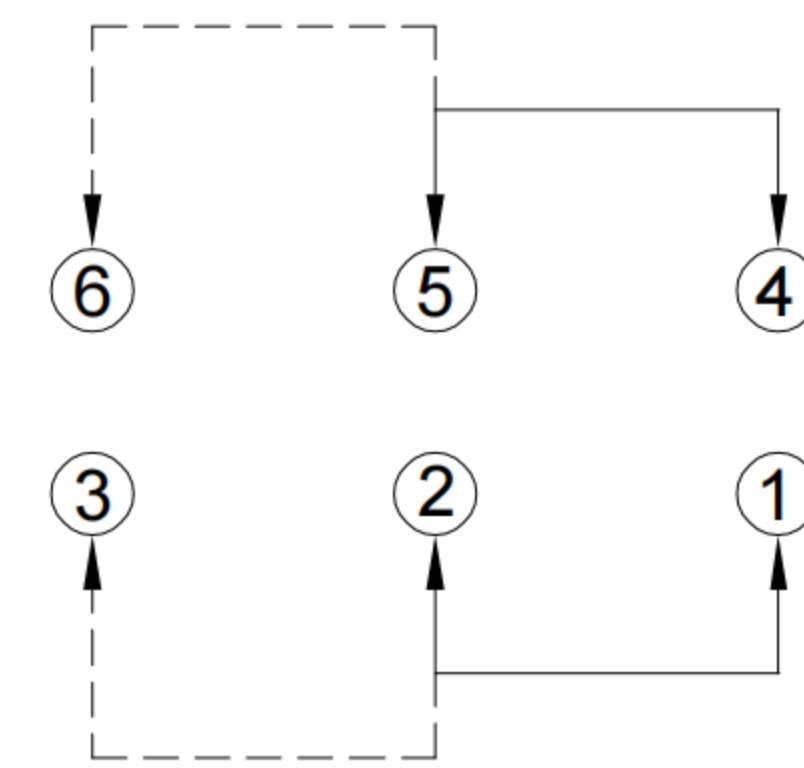
## PS-70 54 S V X-6P N



RECOMMENDED PCB LAYOUT  
TOLERANCE:±0.05



**PUSH-ON:**  
2-3,5-6 Conduction  
Contact Travel: 1.0-1.15mm  
**PUSH-OFF**  
1-2,4-5 Conduction  
Contact Travel: 0.5-0.65mm



CIRCUIT DIAGRAM

Push Switch

Switch Type  
70=7.0×7.0mm

Switch Height  
54=5.4mm

Foot Type  
S=SMT

Switch Function  
N=No Lock  
L=Lock

Foot Position  
6P=6pin

Operating Force  
A=180gf  
B=250gf  
D=400gf

Type  
V=Vertical

### G-Switch Specification:

1. Operating temperature range: -40°C ~ +85°C
2. Rating: 0.1A.30V DC
3. Insulation resistance: 100MΩ min.100V DC
4. Dielectric strength: 500V AC for 1 min
5. Contact resistance: 100mΩ max.
6. Poles-Throws: 2P2T
7. Switch lifetime: 10,000Cycles

NO.	PART NAME	MATERIAL	REMARK
5	SPRING	SUS	NATURAL
4	TERMINAL	BRASS STRIP	Ag PIATED
3	CASE	NYLON PPA	BLACK
2	COVER	NYLON PPA	BLACK
1	KNOB	NYLON PPA	BLACK/Ag CLAD



SCALE: 1:1 UNIT: mm  
SIZE: A4

Unless otherwise  
General Tolerance:  
≥10 ±0.30  
1.5-10 ±0.20  
≤1.5 ±0.10

Title: Vertical Push Switch  
SMT 7.0×7.0×12.4mm

Molde Code: PS-7054SVX-6PN

DRAWN	CHECKED	APPROVED	DATE
Xia	Chen	Chen	2023.02.01



REV: A0 SHEET: 1/1