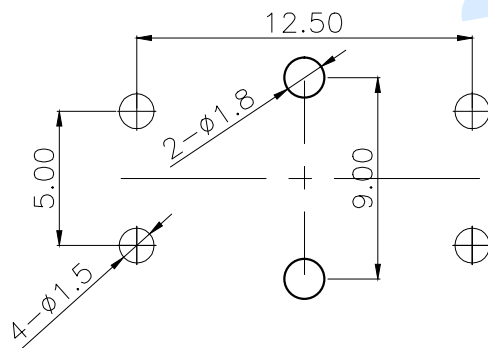
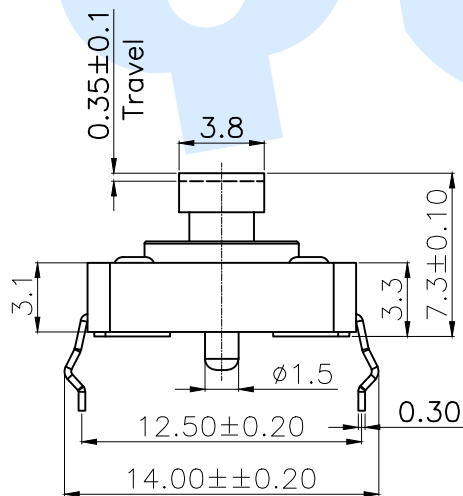
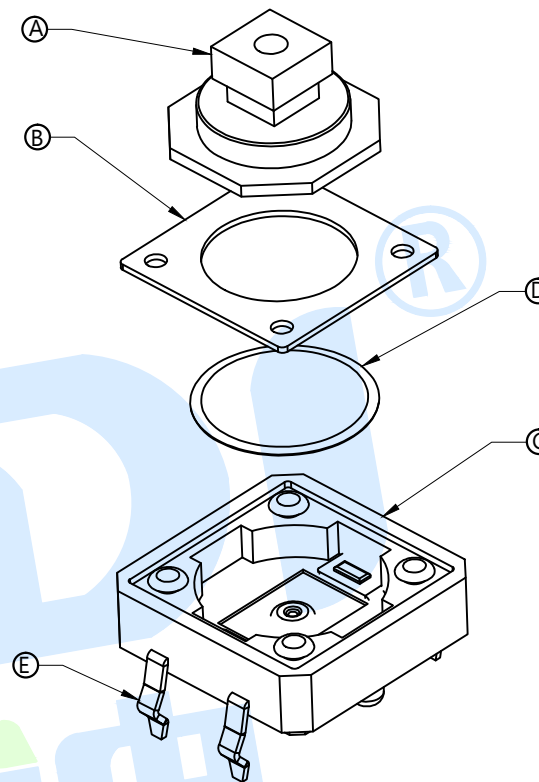
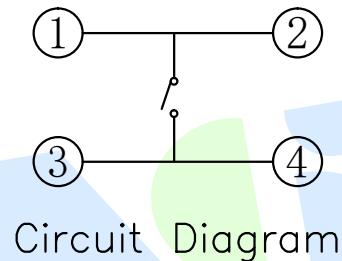
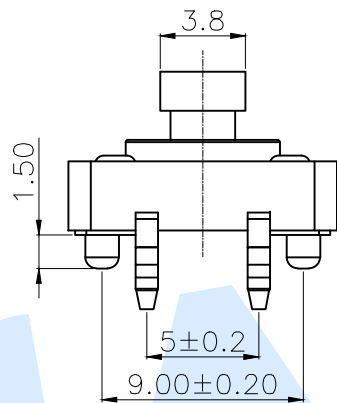
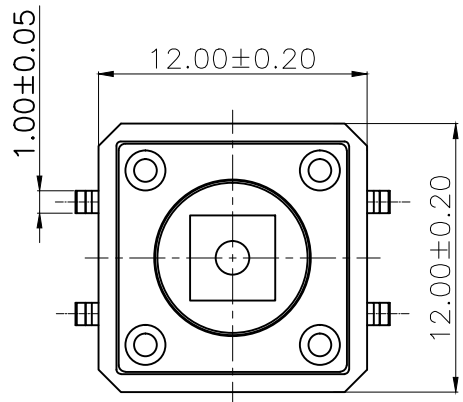


RoHS



PCB Layout(Pattern side)

SHRAPNEL		OPERATING FORCE	
CODE	MATERIAL/QTY	CODE	VIGOR
D1	C5210/1PCS	B1	120±30gf
D2	SUS/1PCS	B2	180±30gf
		B3	250±30gf

NO.	Name	Number	Qty	Materil	Remarks
⑤	Terminal		4	Brass	Silvering
④	Reed		1	SUS	Silver covered
③	Base		1	PPA	Black
②	Cover		1	Brass	Plating Cu Sn
①	Button		1	PPA	Yellow

YUANDI® Yuandi Electronics Co, Ltd

design	date	name	TACT SWITCHS
Review	date	model	TS-1094TA-B□D□-T-Y
Approved	date		

Drawing number: Proportion 1:1 unit mm gage number A4

modify Review Approved Tolerance not specified

angle ±2'
10~30 ±0.30
5~10 ±0.20
~ 5 ±0.10