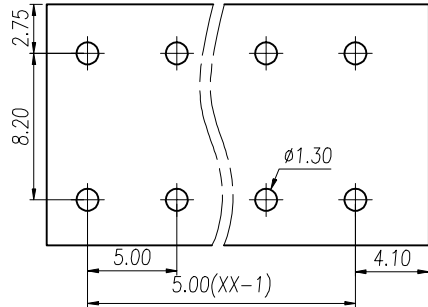
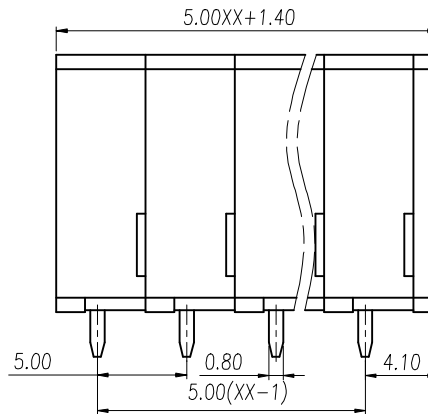
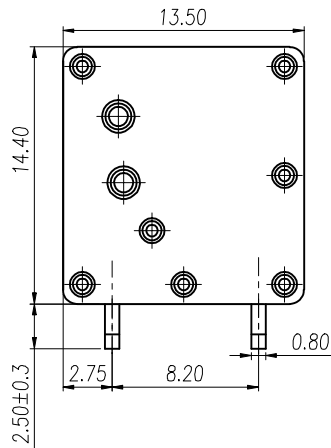


注: 未经允许禁止传输、复制、编辑该文档, 以及利用其内容进行交流



**P.C.B. LAYOUT**



REV	E.C.N NO.	CONTENT	CHK	DATE

NOTES1:

UL Standard

1.

Use group	B	C	D
Rated Current	20A	/	10A
Rated Voltage	300V	/	300V

2.Wire range: 24~12AWG

IEC Standard

1. Pollution Degree	3	2	2
Overvoltage Category	III	III	II
Rate Impulse Voltage(KV)	4.0KV	4.0KV	4.0KV
Rate Voltage(V)	250V	400V	630V
Rate Current(A)	24A	24A	24A

2.wire range: 0.2~2.5mm<sup>2</sup>, 0.2~4.0mm<sup>2</sup>Sol

NOTES2:

1.Insulation Material: PA66 (UL94V-0)

2.Conductor: Copper alloy(Sn Plated)

NOTES3:

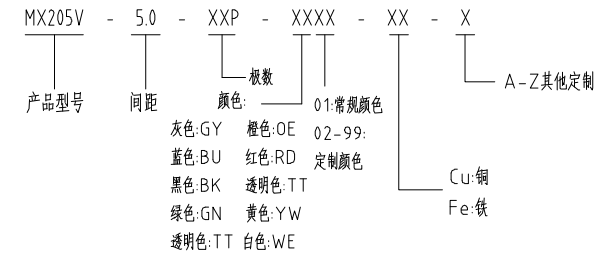
1.Pitch: 5.0mm Poles: 01-30P

2.Stripping length: 9-10mm

3.Operating temperature: -40℃~+105℃

4.RoHS Compliance

How to order



Pitch Range In mm		Nominal Dimension Range In mm						—	∩	□
TO 6	Over 6 TO 10	Over 10 TO 24	TO 30	Over 30 TO 60	Over 60 TO 100	Over 100 TO 150	Over 150	0.1/10		
±0.15	±0.20	±0.30	±0.30	±0.50	±0.70	±1.00	±1.30	<	±2°	

ITEM	NAME OF PART	NO. OF PART	Q"TY	MATERIAL	NOTE
DWG.	CKK	DATE	23.07.05	UNITS	MM
CHK.		DATE		SCALE	1:1
APP.		DATE			A4
				NAME	MX205V-5.0-XXP
CIXI MAIXU ELECTRONICS CO.,LTD. 慈溪市迈旭电子有限公司				DWGNO.	