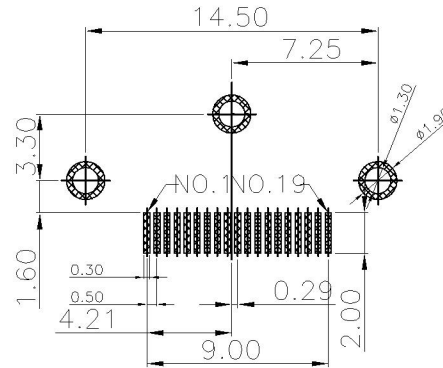
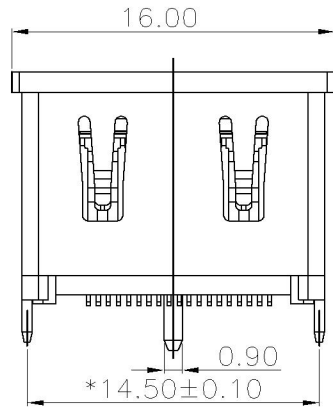
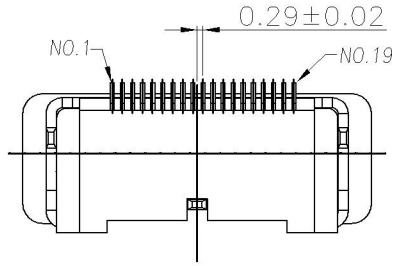
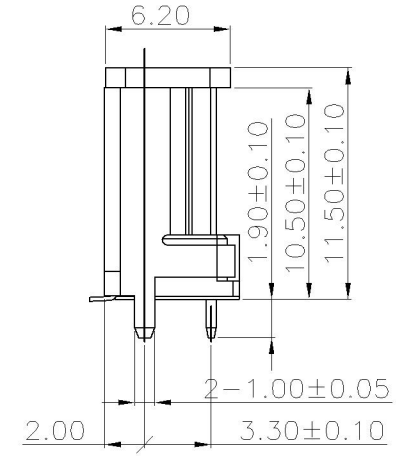
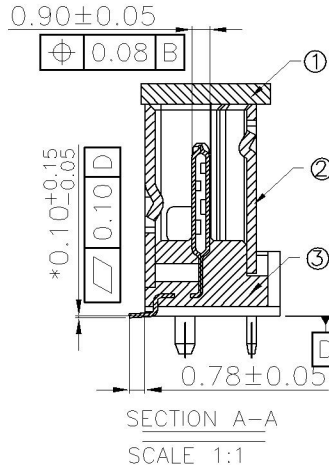
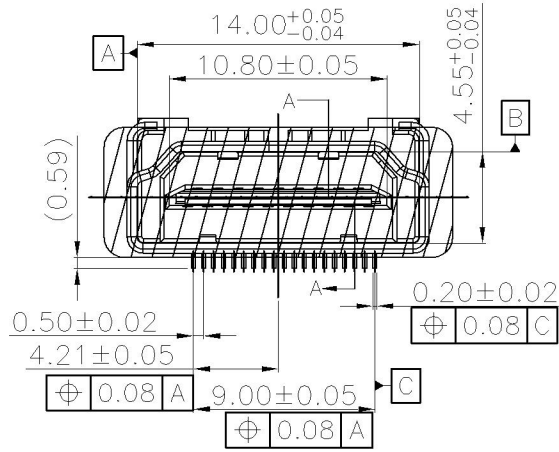


| | | | | | |
|------|---------|-------------|--|-----------|--|
| 6 | | 7 | | 8 | |
| REV. | ECN NO. | DESCRIPTION | | DATE | |
| A | | NEW | | 22'/05/24 | |



RECOMMENDED P.C.B. LAYOUT(T=1.6mm)
TOLERANCES UNLESS OTHERWISE SPEC.±0.05

NOTES:

- 1.) MATERIAL:
 - 1-1. HOUSING AND COVER:LCP,UL 94V-0,COLOR:BLACK; HF
 - 1-2. CONTACT:BRASS T=0.20;
 - 1-3. SHELL:BRASS T=0.50;
 - 1-4. CAP: LCP BLACK UL 94-V0
- 2.) FINISH:
 - 2-1. CONTACT: Au PLATING ON CONTACT AREA,(SEE P/N DESCRIBING) AU G/F PLATING ON SOLDER TAILS,50u" MIN. Ni UNDERPLATING OVERALL;
 - 2-2. SHELL: PLATING Ni 50u" MIN.
- 3.) SPECIFICATIONS:
 - 3-1. VOLTAGE RATING: 40V
 - 3-2. CURRENT RATING: 0.5A
 - 3-3. INSULATION RESISTANCE: 100MEG.OHM MIN
 - 3-4. CONTACT RESISTANCE: 30 MILL.OHM MAX
 - 3-5. OPERATION TEMPERATURE: -20° TO +85°
 - 3-6. INSERT FORCE: 44.1N MAX
 - 3-7. EXTRACT FORCE: 9.8N MIN
 - 3-8. DURABILITY: 10000 CYCLES

| | | | | |
|-----|-------------|--------------|-----------|-------|
| 3 | SHELL | COPPER ALLOY | Ni PLATED | |
| 2 | TERMINAL | COPPER ALLOY | Au PLATED | |
| 1 | HOUSING | HIGH TEMP | UL 94V-0 | BLACK |
| NO. | DESCRIPTION | MATERIAL | REMARK | COLOR |

| | | | | | | |
|------------------------------------------|--------|---------|-----------|--|---------------|--------------------------|
| General | Angle | DATE | 21'/06/14 | | 深圳市连欣科技有限公司 | |
| X.±0.50 | X°±5° | DRAWING | 叶勇 | | CUSTOMER COPY | TITLE: HDMI 立式贴板 H10.5MM |
| .XX±0.25 | .X°±4° | CHECK | Andy | | PART NO. | XDHF-1901-0150 |
| .XXX±0.15 | | APPRO. | 陈军 | | SCALE | 1:1 |
| GENERAL TOLERANCE UNLESS OTHERWISE NOTED | | | | | UNIT:mm | A4 SHEET: 1 of 1 |