

## 28V/3A High Efficiency Synchronous Step-Down Converter

### DESCRIPTION

ETA1471 is a wide input range, high-efficiency and high frequency DC-to-DC step-down switching regulator, capable of delivering up to 3A of output current. With a fixed switching frequency of 500KHz, this current mode PWM controlled converter allows the use of small external components, such as ceramic input and output caps, as well as small inductors. ETA1471 also employs a proprietary control scheme that switches the device into a power save mode during light load, thereby extending the range of high efficiency operation. The IC can stand off input voltage as high as 28V, making it an ideal solution for industrial applications such as LCD TV, Set Top Box, Portable TV, etc.

ETA1471 is in FCTSOT23-6 and ESOP8 package.

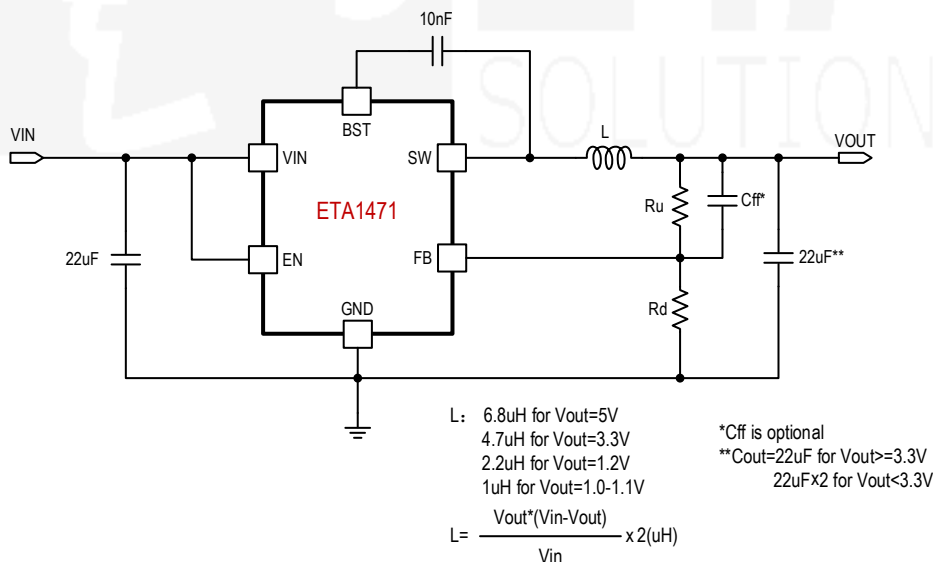
### FEATURES

- ◆ 28V Input Standoff Voltage
- ◆ High Efficiency PFM mode at light load
- ◆ Capable of Delivering 3A
- ◆ No External Compensation Needed
- ◆ Current Mode Control
- ◆ Thermal Shutdown and UVLO
- ◆ Excellent Load and Line Transient Response
- ◆ FCTSOT23-6 and ESOP8 Package

### APPLICATIONS

- ◆ LCD TV
- ◆ Set Top Box
- ◆ Portable TV

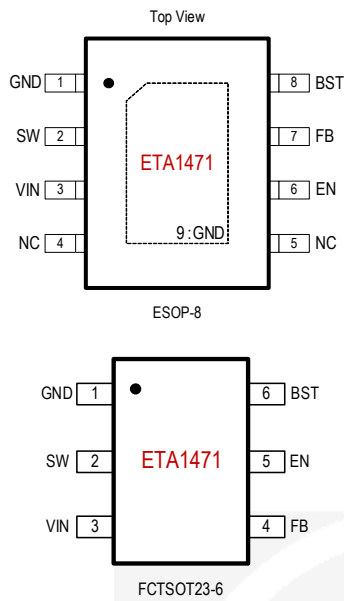
### TYPICAL APPLICATION



### ORDERING INFORMATION

PART No.	PACKAGE	TOP MARK	Pcs/Reel
ETA1471FT2G	FCTSOT23-6	CIYW	3000
ETA1471E8A	ESOP8	ETA1471 YWW2L	4000

## PIN CONFIGURATION



## ABSOLUTE MAXIMUM RATINGS

(Note: Exceeding these limits may damage the device. Exposure to absolute maximum rating conditions for long periods may affect device reliability.)

IN,SW,EN Voltage .....	-0.3V to 28V
BST Voltage .....	-0.3V to SW+6V
FB Voltage .....	-0.3V to 6V
Operating Temperature Range .....	-40°C to 85°C
Storage Temperature Range .....	-55°C to 150°C
Thermal Resistance	$\theta_{JA}$ $\theta_{JC}$
FCTSOT23-6.....	100.....55..... °C/W
ESOP8.....	50.....10..... °C/W
Lead Temperature (Soldering 10sec).....	260°C

## ELECTRICAL CHARACTERISTICS

( $V_{IN} = 12V$ ,  $V_{OUT} = 3.3V$ , unless otherwise specified. Typical values are at  $T_A = 25^\circ C$ .)

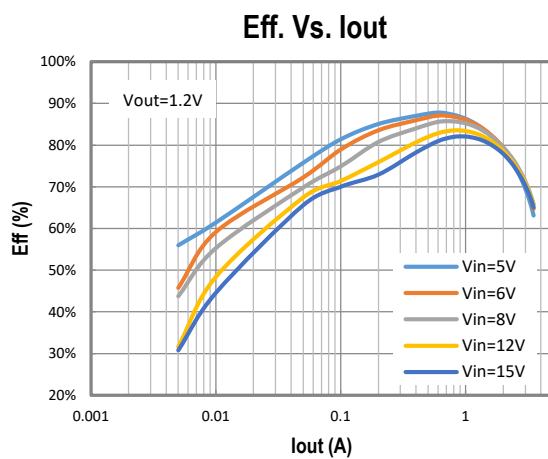
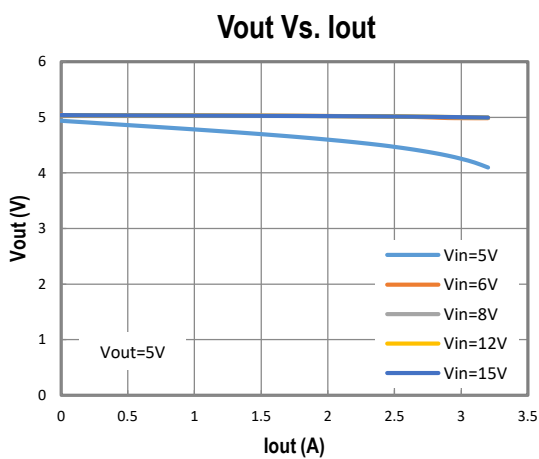
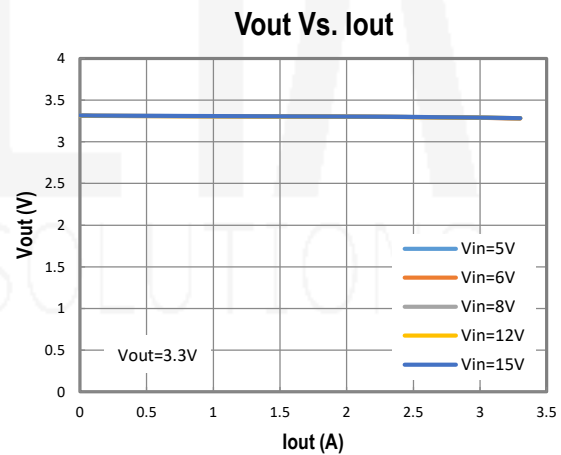
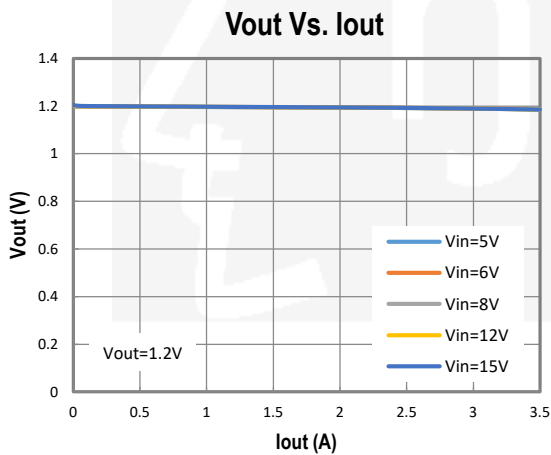
PARAMETER	CONDITIONS	MIN	TYP	MAX	UNIT
Input Voltage Range		4.2		18	V
Input UVLO	Rising, Hysteresis=340mV		4.2		V
Input Shutdown Current			7	14	$\mu A$
FB Voltage		0.776	0.8	0.824	V
FB Input Current			0	1	$\mu A$
Switching Frequency			500		kHz
Maximum Duty Cycle		97	99		%
Short Circuit Hiccup Time	On Time		2		mS
	Off Time		6		mS
FB Hiccup Threshold			0.2		V
High Side Switch On Resistance			120		m $\Omega$
Low Side Switch On Resistance			75		m $\Omega$
High Side Current Limit			3.5		A
SW Leakage Current	$I_N=SW=12V$			20	$\mu A$
EN Rising Threshold			1.5		V
EN Falling Threshold			1.3		V
EN Input Current	$V_{EN}=2V$		2		$\mu A$
Thermal Shutdown	Rising, Hysteresis =40°C		150		°C

## PIN DESCRIPTION

FCTSOT23-6 PIN #	ESOP8 PIN #	NAME	DESCRIPTION
1	1	GND	Ground.
2	2	SW	Inductor Connection. Connect an inductor Between SW and the regulator output.
3	3	VIN	Supply Voltage. Bypass with a 22 $\mu$ F ceramic capacitor to GND
4	7	FB	Feedback Input. Connect an external resistor divider from the output to FB and GND to set $V_{OUT}$
5	6	EN	Enable pin for the IC. Drive this pin high to enable the part, low or floating to disable.
6	8	BST	Bootstrap pin. Connect a 10nF capacitor from this pin to SW.
	4,5	NC	No Connection.
	9	EP	Connect to Ground.

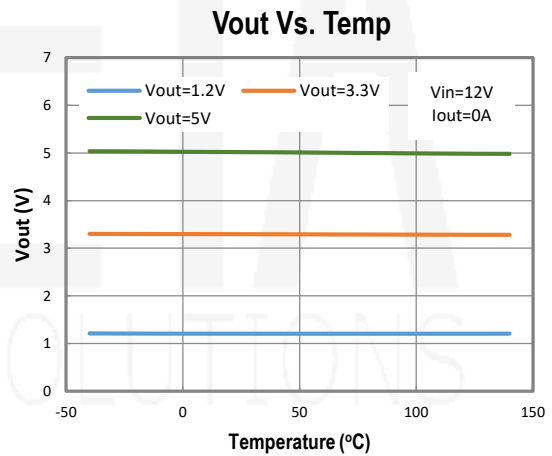
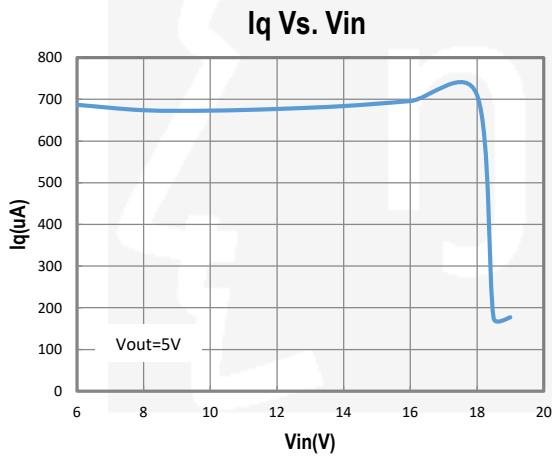
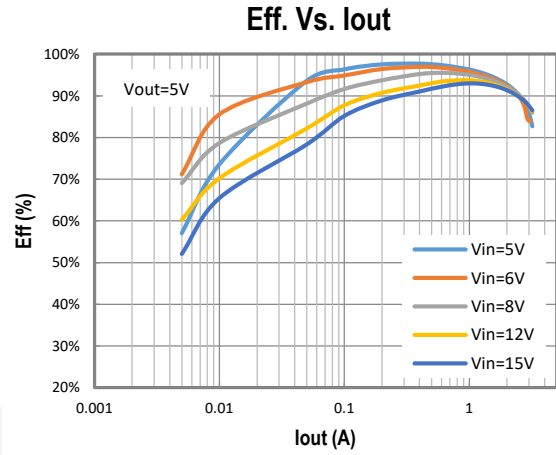
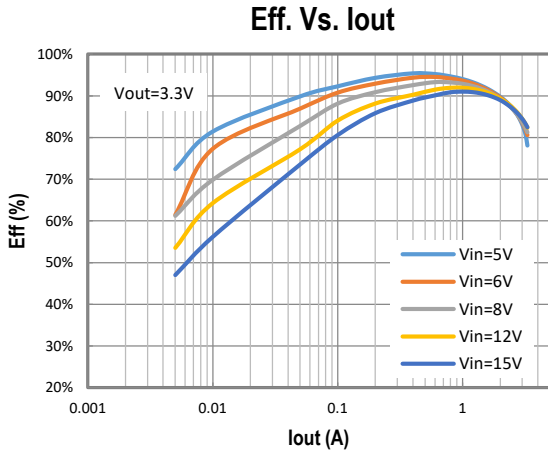
## TYPICAL CHARACTERISTICS

(Typical values are at  $T_A = 25^\circ\text{C}$  unless otherwise specified.)

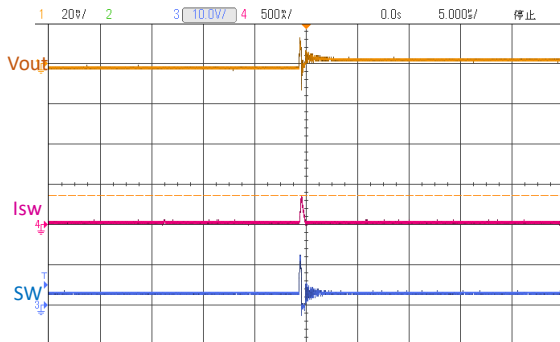


## TYPICAL CHARACTERISTICS Cont'd

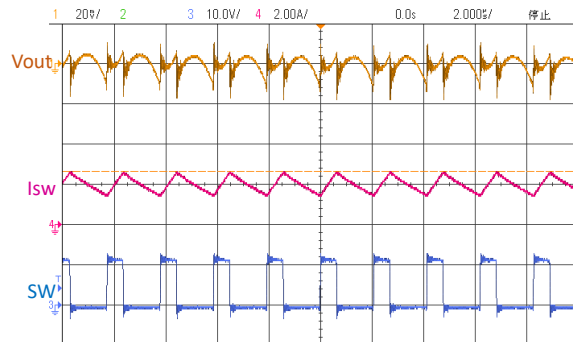
(Typical values are at  $T_A = 25^\circ\text{C}$  unless otherwise specified.)



Switching Waveform at Iout = 0A  
(Vin=12V, Vout=3.3V)



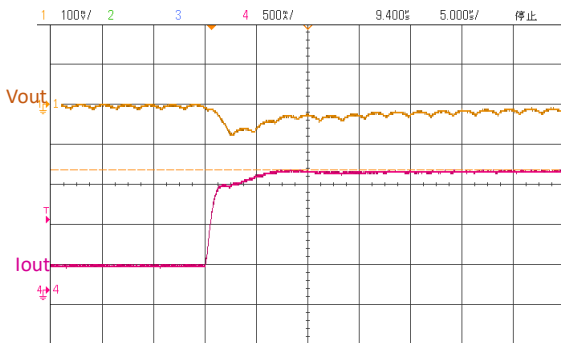
Switching Waveform at Iout = 2A  
(Vin=12V, Vout=3.3V)



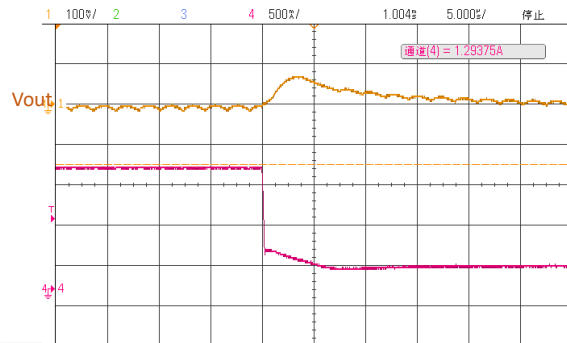
## TYPICAL CHARACTERISTICS Cont'd

(Typical values are at  $T_A = 25^\circ\text{C}$  unless otherwise specified.)

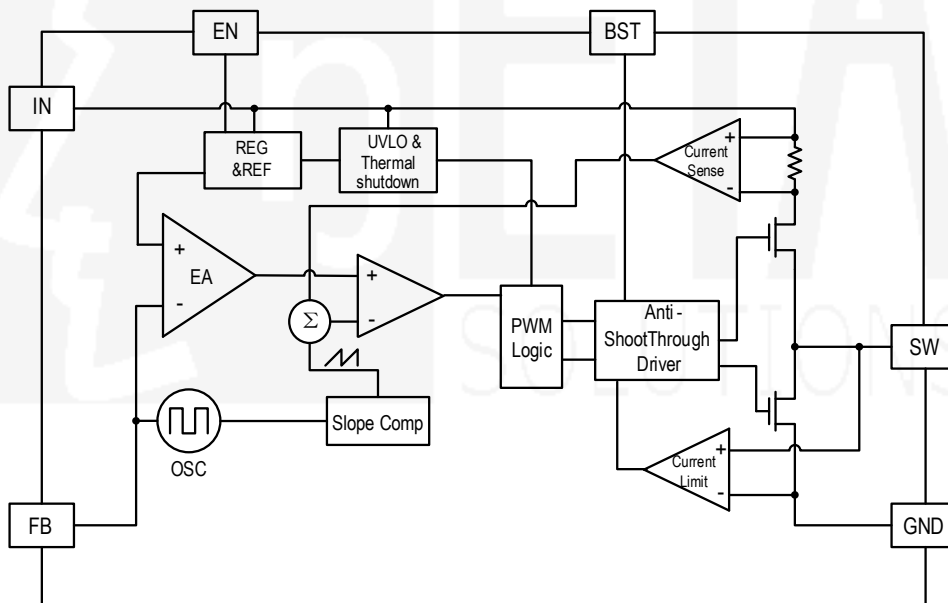
**Load Transient Response – Iout Rising Edge 1A/1us**  
 Vin=12V, Vout=1.1V, L=2.2uH, Cout=22uFx2, Iout 0.3-1.5A



**Load Transient Response – Iout Falling Edge 1A/0.2us**  
 Vin=12V, Vout=1.1V, L=2.2uH, Cout=22uFx2, Iout 1.5-0.3A



## FUNCTIONAL BLOCK DIAGRAM



## FUNCTIONAL DESCRIPTION

The ETA1471 is a synchronous buck regulator ICs that integrates the PWM control, top and bottom switches on the same die to minimize the switching transition loss and conduction loss.

The ETA1471 is a wide input range, high efficiency, DC-to-DC step-down switching regulator, capable of delivering up to 3A of output current, integrated with a 155mΩ high side and 88mΩ low side MOSFET. It uses PWM current-mode control scheme. An error amplifier integrates error between the FB signal and the internal reference voltage. The output of the integrator is then compared to the sum of a current-sense signal and the slope compensation ramp. This operation generates a PWM signal that modulates the duty cycle of the power MOSFET to achieve regulation for output voltage.

### *Light Load Operation*

Traditionally, a fixed constant frequency PWM DC-DC regulator always switches even when the output load is small. When energy is shuffling back and forth through the power MOSFET, power is lost due to the finite  $R_{dson}$  of the MOSFET and parasitic capacitances. At light load, this loss is prominent and efficiency is therefore very low. ETA1471 employs a proprietary control scheme that improves efficiency in this situation by enabling then device into a power save mode during light load, thereby extending the range of high efficiency operation.

### *Enable*

EN is a digital control pin that turns the ETA1471 on and off. Drive EN High to turn on the regulator, drive it Low to turn it off. An internal  $1M\Omega$  resistor from EN pin to GND allows EN to float to shut down the chip. Connecting the EN pin through a pull up resistor or shorted EN to IN will automatically turn on the chip whenever plug in IN.

### *Over Current Protection and Hiccup*

ETA1471 has a cycle-by-cycle over current limit for when the inductor current peak value is over the set current limit threshold. When the output voltage drop until FB falls below UV threshold ( $0.2V$ ), the ETA1471 will enter hiccup mode. It will turn off the chip immediately for  $6mS$ . After that, it will try to re-starts as normal for  $2mS$ . After  $2mS$ , if FB is still below UV threshold, then the chip enters hiccup mode again. If FB is higher than UV threshold, it will enter the normal mode.

### *Over-Temperature Protection*

Thermal protection disables the output when the junction temperature rises to approximately  $150^{\circ}C$ , allowing the device to cool down. When the junction temperature cools to approximately  $110^{\circ}C$ , the output circuitry is again enabled. Depending on power dissipation, thermal resistance, and ambient temperature, the thermal protection circuit may cycle on and off. This cycling limits regulator dissipation, protecting the device from damage as a result of overheating.

---

## APPLICATION INFORMATION

### *External Output Voltage Setting*

In external Output Voltage Setting Version selected, the ETA1471 regulator is programmed using an external resistor divider. The output voltage is calculated using below equation.

$$V_{OUT} = V_{REF} \times \left(1 + \frac{R_u}{R_d}\right)$$

Where:  $V_{REF} = 0.8V$  typically (the internal reference voltage)

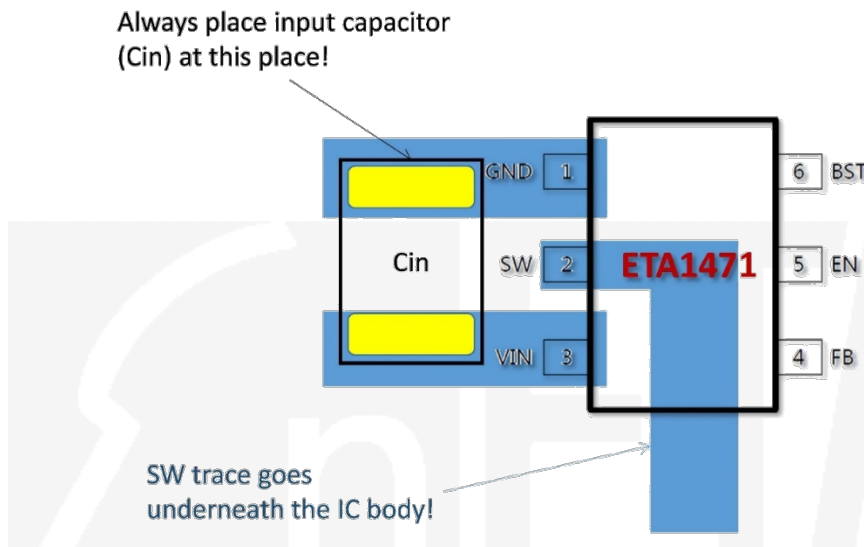
Resistors  $R_d$  has to be between  $1k\Omega$  to  $20k\Omega$  and thus  $R_u$  is calculated by following equation.

$$R_u = \left(\frac{V_{OUT}}{V_{REF}} - 1\right) \times R_d$$

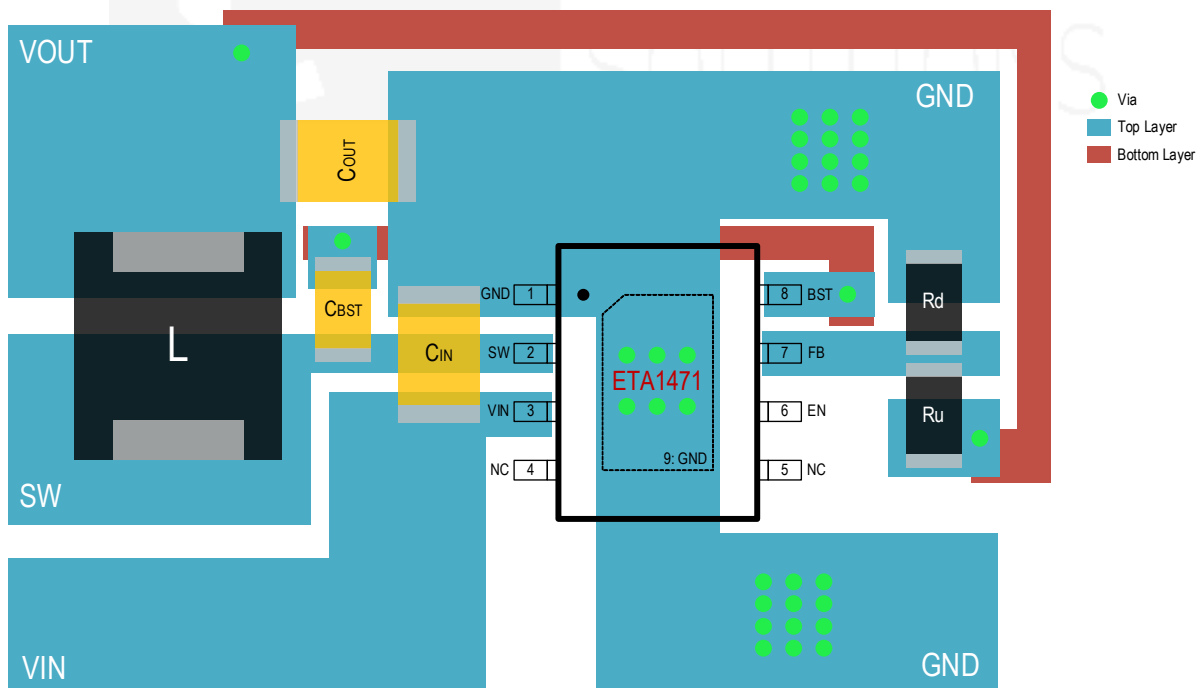
## PCB LAYOUT GUIDE

For any high voltage buck, it is always crucial to have input capacitor placed as close to the chip's VIN and GND pin as possible without any via, because the input capacitor is to keep the chip's real input voltage from dropping too much when large switching current is drawn from the input node. A simple illustration of how to place input capacitor is shown below, and it is highly recommended to strictly follow this guide.

Package: FCTSOT23-6

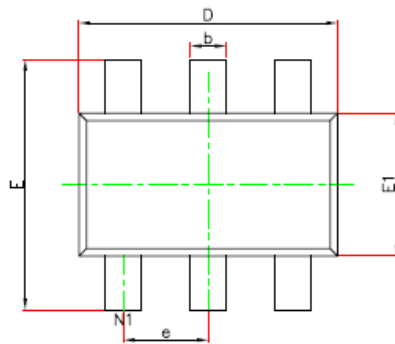


Package: ESOP8

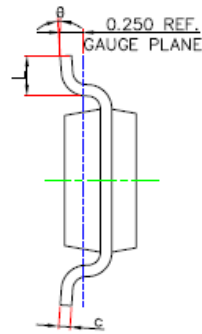


## PACKAGE OUTLINE

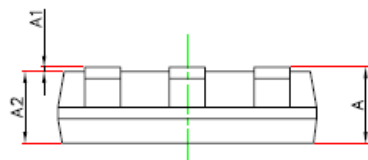
Package: FCTSOT23-6



TOP VIEW



SIDE VIEW

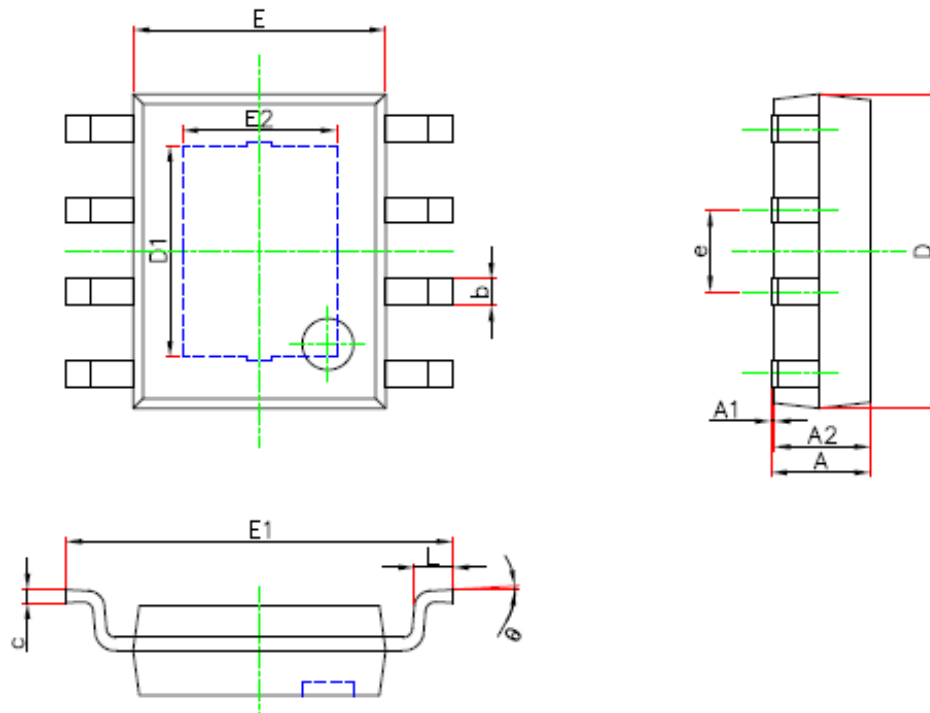


SIDE VIEW

Symbol	Dimensions In Millimeters		Dimensions In Inches	
	Min	Max	Min	Max
A	0.700	1.100	0.028	0.043
A1	0.000	0.100	0.000	0.004
A2	0.700	1.000	0.028	0.039
D	2.850	2.950	0.112	0.116
E	2.650	2.950	0.104	0.116
E1	1.550	1.650	0.061	0.065
b	0.300	0.500	0.012	0.020
c	0.080	0.200	0.003	0.008
e	0.950(BSC)		0.037(BSC)	
L	0.300	0.600	0.012	0.024
θ	0°	8°	0°	8°

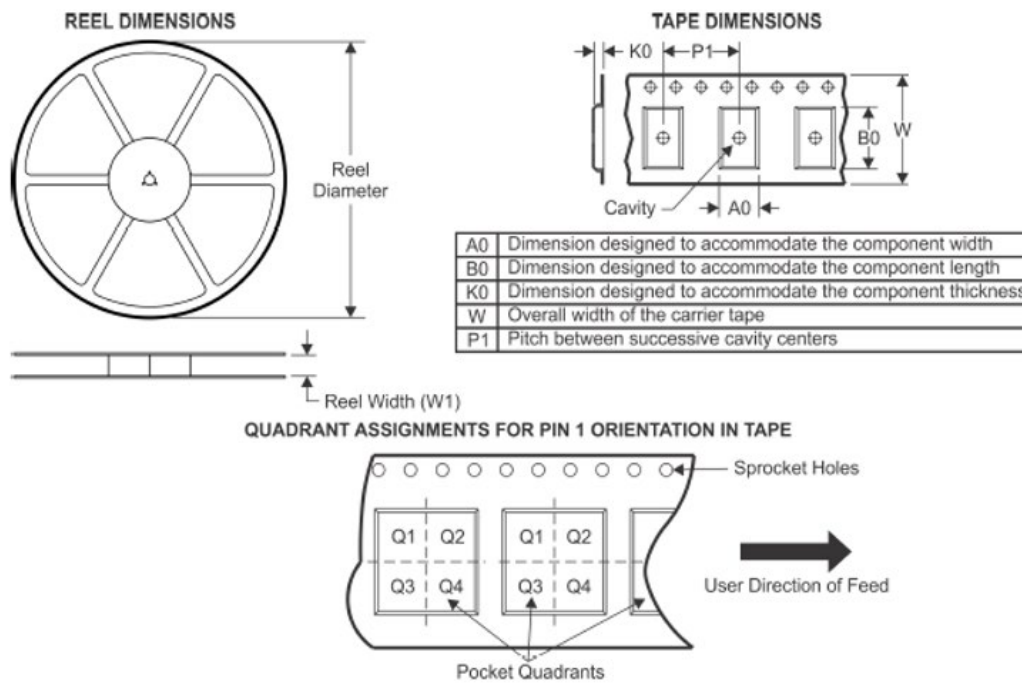


Package: ESOP8



Symbol	Dimensions In Millimeters		Dimensions In Inches	
	Min.	Max.	Min.	Max.
A	1.300	1.700	0.051	0.067
A1	0.000	0.100	0.000	0.004
A2	1.350	1.550	0.053	0.061
b	0.330	0.510	0.013	0.020
c	0.170	0.250	0.007	0.010
D	4.700	5.100	0.185	0.201
D1	3.202	3.402	0.126	0.134
E	3.800	4.000	0.150	0.157
E1	5.800	6.200	0.228	0.244
E2	2.313	2.513	0.091	0.099
e	1.270(BSC)		0.050(BSC)	
L	0.400	1.270	0.016	0.050
θ	0°	8°	0°	8°

## TAPE AND REEL INFORMATION



Device	Package Type	Pins	SPQ	Reel Diameter (mm)	Reel Width W1 (mm)	A0 (mm)	B0 (mm)	K0 (mm)	P1 (mm)	W (mm)	Pin1 Quadrant
ETA1471FT2G	FCTSOT23-6	6	3000	178	8.4	3.1	3.1	1.3	4	8	Q3
ETA1471E8A	ESOP8	8	4000	330	12.7	6.6	5.4	2.05	8	12	Q1