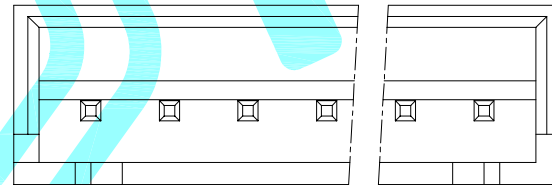
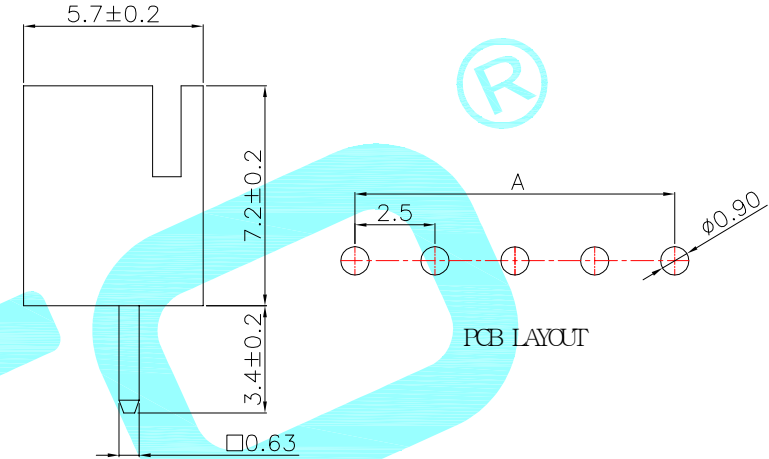
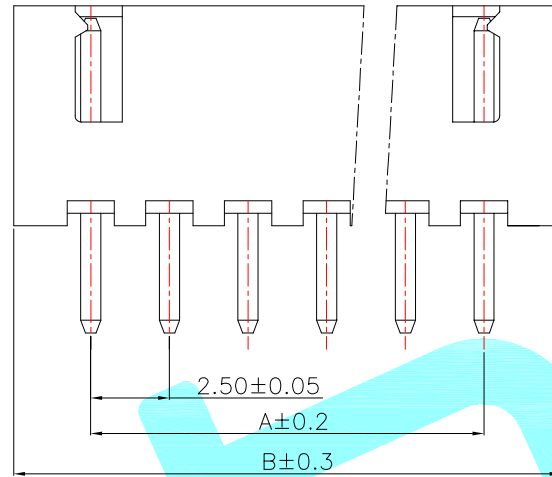


| Poles | PART NO | DIM A | DIM B |
|-------|---------|-------|-------|
| 2 | XH-2A | 2.5 | 7.5 |
| 3 | XH-3A | 5.0 | 10.0 |
| 4 | XH-4A | 7.5 | 12.5 |
| 5 | XH-5A | 10.0 | 15.0 |
| 6 | XH-6A | 12.5 | 17.5 |
| 7 | XH-7A | 15.0 | 20.0 |
| 8 | XH-8A | 17.5 | 22.5 |
| 9 | XH-9A | 20.0 | 25.0 |
| 10 | XH-10A | 22.5 | 27.5 |
| 11 | XH-11A | 25.0 | 30.0 |
| 12 | XH-12A | 27.5 | 32.5 |
| 13 | XH-13A | 30.0 | 35.0 |
| 14 | XH-14A | 32.5 | 37.5 |
| 15 | XH-15A | 35.0 | 40.0 |



- 1.Pin pitch: 2.5
- 2.Rated voltage: 250V DC/AC
- 3.Contact resistance: $\leq 20\text{m}\Omega$
- 4.Insulation resistance: $\geq 1000\text{M}\Omega$
- 5.Operating temperature: $-25^{\circ}\text{C}\sim+85^{\circ}\text{C}$

| | | | | | | |
|------|-----------|---------|------|----------|-----------|--------|
| ② | PIN | — | — | Brass | Sn Plated | — |
| ① | Base | — | 1 | PA66 | Natural | — |
| ITEM | PART NAME | TER'NO. | QTY. | MATERIAL | FINISHING | REMARK |

| | | | | | | | | |
|----------------|--------|------------|--------------|----------|----------------------|------------|-------------|--------------|
| APPROVALS | | DATE | | | | | | |
| DRAWN | LIUCAN | 2021.10.22 | | | | | | |
| CHECKED | | | | TITLE: | Bar Connector Series | | | |
| APPROVALS | | | | PART NO. | XH-nA | | | |
| TOLERANCES ARE | | 30~以上 | ±0.30 | ANGLE | UNIT: mm | SCALE: 1:1 | | |
| | | 10~30 | ±0.20 | | | | | |
| | | 5~10 | ±0.15 | | | | | |
| | | ~ 5 | ±0.10 | | | | | |
| | | | ±2' | | | PROJ: | | |
| ECN NO. | REV. | DATE. | DESCRIPTION. | CHANGE. | CHECK. | APPRO. | DRAWING NO. | SHEET 1 OF 1 |

| | | | | | | |
|---------|------|-------|--------------|---------|--------|--------|
| — | A | — | NEW | — | — | — |
| ECN NO. | REV. | DATE. | DESCRIPTION. | CHANGE. | CHECK. | APPRO. |