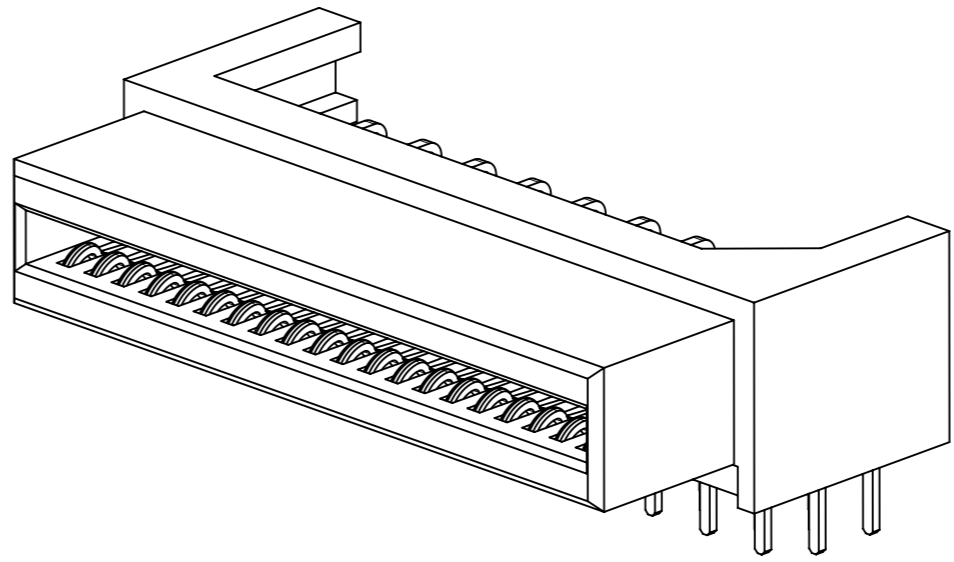
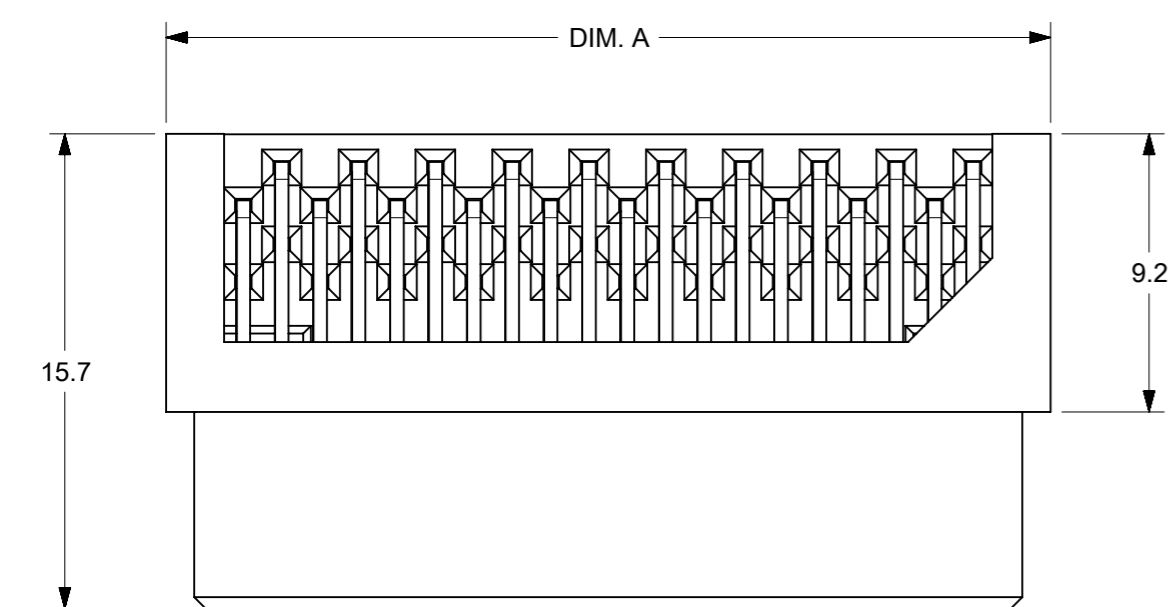
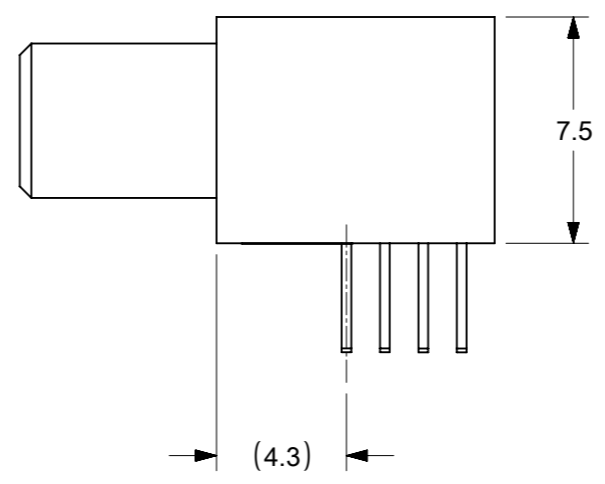
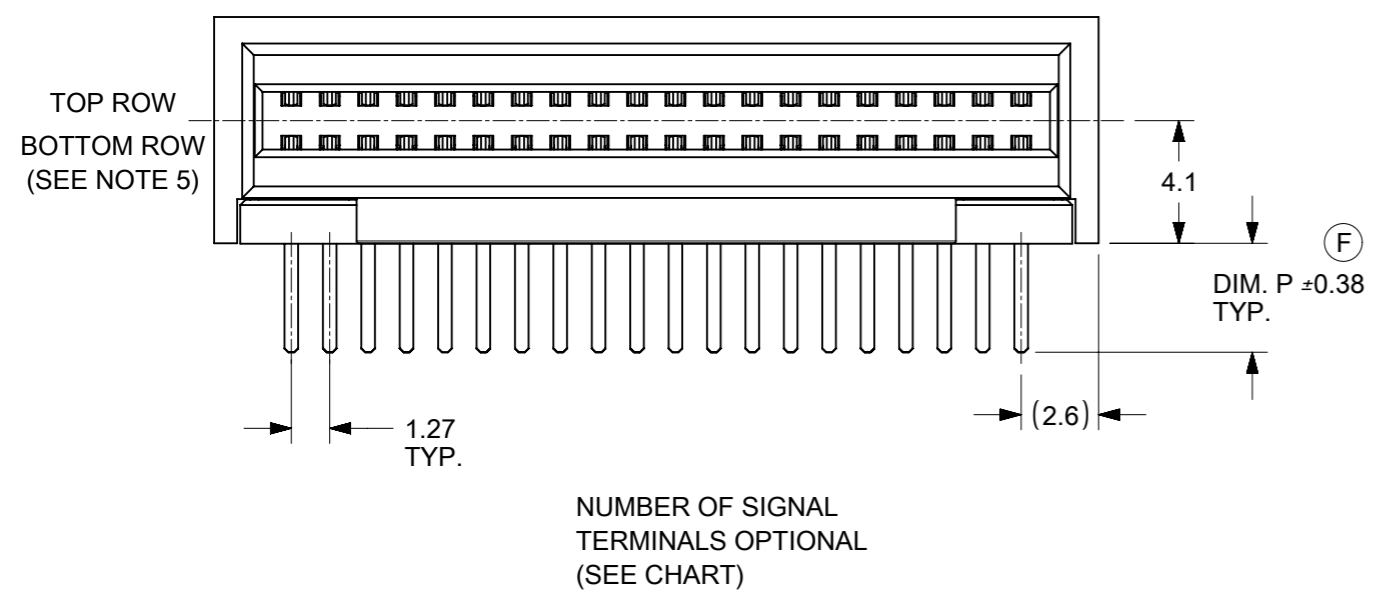


10 9 8 7 6 5 4 3 2 1



NO. OF SIGNAL	MATERIAL NUMBER	DIM A	DIM P	PCB THICKNESS
12	45984-0111	11.5	4.50	3.18
16	45984-0121	14.0		
20	45984-0131	16.5		
24	45984-0141	19.1		
28	45984-0151	21.6		
32	45984-0161	24.2		
36	45984-0171	26.7	3.60	2.36
40	45984-0181	29.2		
12	45984-0112	11.5		
16	45984-0122	14.0		
20	45984-0132	16.5		
24	45984-0142	19.1		
28	45984-0152	21.6	2.90	1.57
32	45984-0162	24.2		
36	45984-0172	26.7		
40	45984-0182	29.2		
12	45984-0113	11.5		
16	45984-0123	14.0		
20	45984-0133	16.5		
24	45984-0143	19.1		
28	45984-0153	21.6		
32	45984-0163	24.2		
36	45984-0173	26.7		
40	45984-0183	29.2		



NOTES:

1. MATERIAL: HOUSING - GLASS FILLED LCP (LIQUID CRYSTAL POLYMER), UL94V-0, COLOR: BLACK
TERMINALS - COPPER ALLOY
2. PLATING: 0.76 MICROMETER / (30 MICROINCH) MINIMUM SELECT GOLD
3.81 MICROMETER (150 MICROINCH) MINIMUM TIN, BOTH OVER
1.27 MICROMETER / (50 MICROINCH) MINIMUM NICKEL OVERALL.
3. PRODUCT SPECIFICATION: PS-45984-001.
4. PACKAGING SPECIFICATION: 45984-02** AND 45984-04** TRAY PACK PER PK-45984-001. 45984-01** AND 45984-03** TRAY PACK PER PK-45984-002.
5. SEE SHEET 5 FOR CIRCUIT IDENTIFICATION
6. MATES WITH 45985 SERIES PLUG ASSEMBLY OR 1.57/0.62 CARD EDGE.
7. PARTS ARE RoHS COMPLIANT.

THIS DRAWING CONTAINS INFORMATION THAT IS PROPRIETARY TO MOLEX ELECTRONIC TECHNOLOGIES, LLC AND SHOULD NOT BE USED WITHOUT WRITTEN PERMISSION

DIMENSION UNITS	SCALE	CURRENT REV DESC: TAIL DIM TOLE. CHG		molex		
mm	4:1					
GENERAL TOLERANCES (UNLESS SPECIFIED)				LPH RECEPTACLE ASSEMBLY SIGNAL CONNECTOR		
	MM	INCH		PRODUCT CUSTOMER DRAWING		
4 PLACES	±	±		DOCUMENT NUMBER		
3 PLACES	±	±		DOC TYPE		
2 PLACES	± 0.25	±		DOC PART		
1 PLACE	± 0.38	±		REVISION		
0 PLACES	±	±		SD-45984-483		
ANGULAR TOL	± 0.5°			PSD	001	F
DRAFT WHERE APPLICABLE MUST REMAIN WITHIN DIMENSIONS	THIRD ANGLE PROJECTION	DRAWING	SERIES	MATERIAL NUMBER	CUSTOMER	SHEET NUMBER
		A3-SIZE	45984	SEE CHART	GENERAL MARKET	1 OF 6

10 9 8 7 6 5 4 3 2 1

10

9

8

7

6

5

4

3

2

1

F

F

E

E

D

D

C

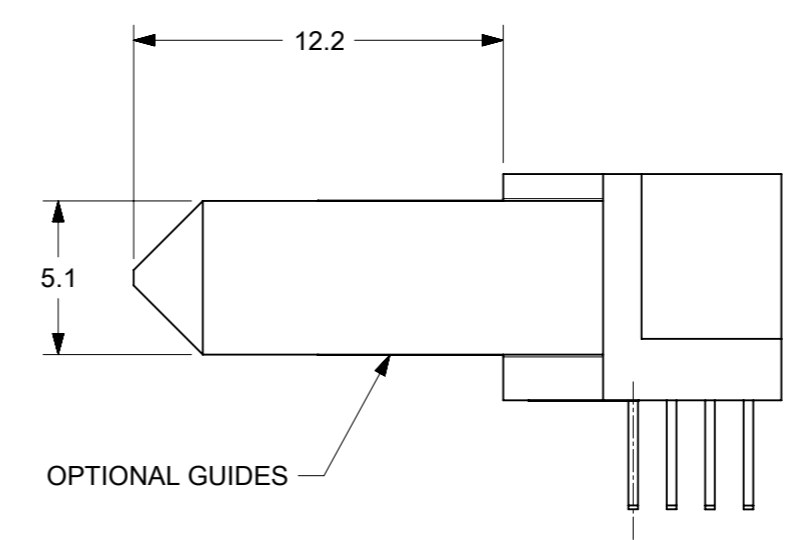
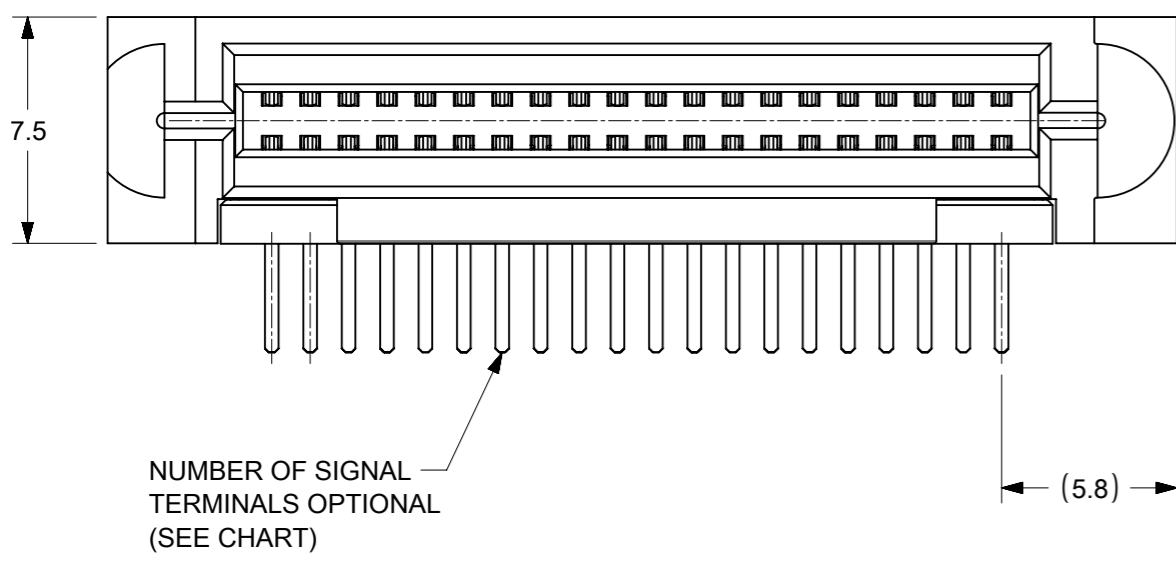
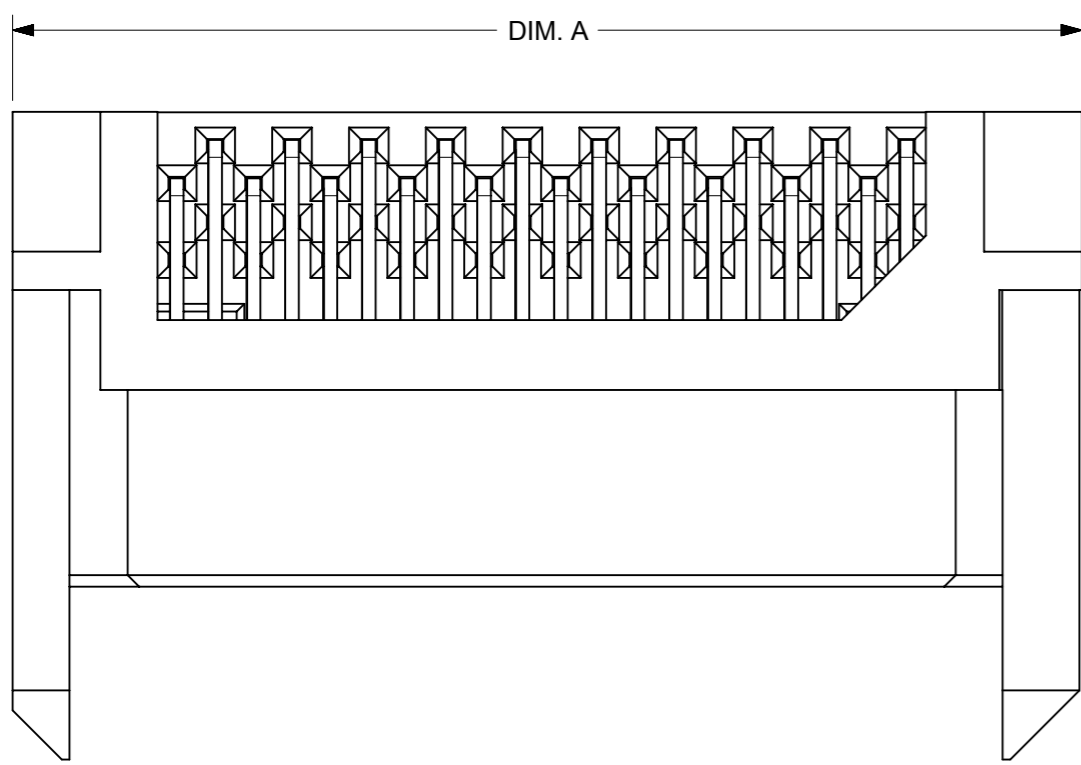
C

B

B

A

A



NO. OF SIGNAL	MATERIAL NUMBER	DIM A	DIM P	PCB THICKNESS
12	45984-0211	17.6	4.50	3.18
16	45984-0221	20.1		
20	45984-0231	22.6		
24	45984-0241	25.2		
28	45984-0251	27.7		
32	45984-0261	30.3		
36	45984-0271	32.8		
40	45984-0281	35.4	3.60	2.36
12	45984-0212	17.6		
16	45984-0222	20.1		
20	45984-0232	22.6		
24	45984-0242	25.2		
28	45984-0252	27.7		
32	45984-0262	30.3		
36	45984-0272	32.8		
40	45984-0282	35.4	2.90	1.57
12	45984-0213	17.6		
16	45984-0223	20.1		
20	45984-0233	22.6		
24	45984-0243	25.2		
28	45984-0253	27.7		
32	45984-0263	30.3		
36	45984-0273	32.8		
40	45984-0283	35.4		

THIS DRAWING CONTAINS INFORMATION THAT IS PROPRIETARY TO MOLEX ELECTRONIC TECHNOLOGIES, LLC AND SHOULD NOT BE USED WITHOUT WRITTEN PERMISSION

DIMENSION UNITS	SCALE	CURRENT REV DESC: TAIL DIM TOLE. CHG		molex		
mm	4:1					
GENERAL TOLERANCES (UNLESS SPECIFIED)				LPH RECEPTACLE ASSEMBLY SIGNAL CONNECTOR		
	MM	INCH		PRODUCT CUSTOMER DRAWING		
4 PLACES	±	±		DOCUMENT NUMBER		
3 PLACES	±	±		DOC TYPE DOC PART REVISION		
2 PLACES	± 0.25	±		SD-45984-483 PSD 001 F		
1 PLACE	± 0.38	±		MATERIAL NUMBER CUSTOMER SHEET NUMBER		
0 PLACES	±	±		SEE CHART GENERAL MARKET 2 OF 6		
ANGULAR TOL	± 0.5°					
DRAFT WHERE APPLICABLE MUST REMAIN WITHIN DIMENSIONS		THIRD ANGLE PROJECTION	DRAWING	SERIES		
			A3-SIZE	45984		

10

9

8

7

6

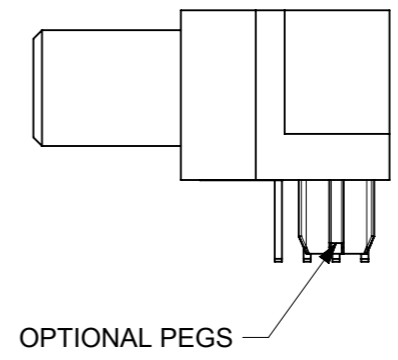
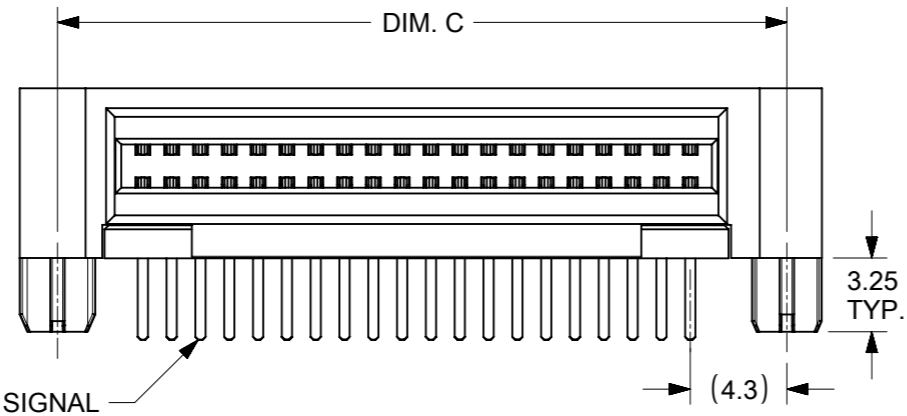
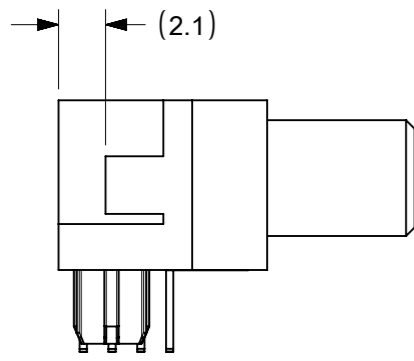
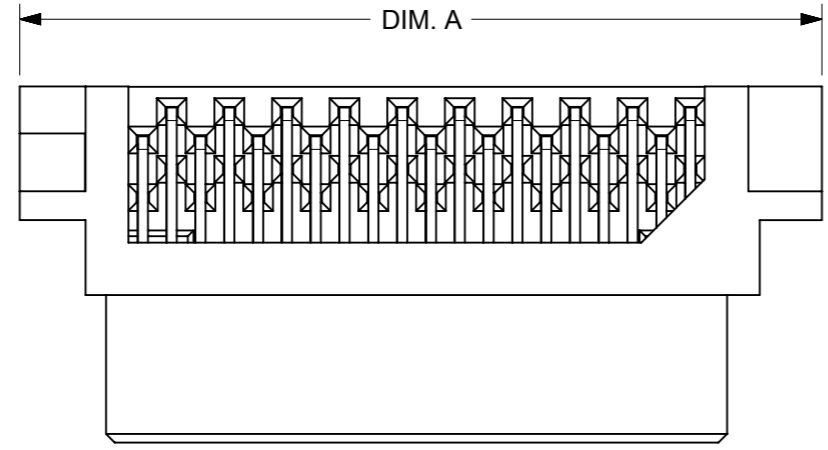
5

4

3

2

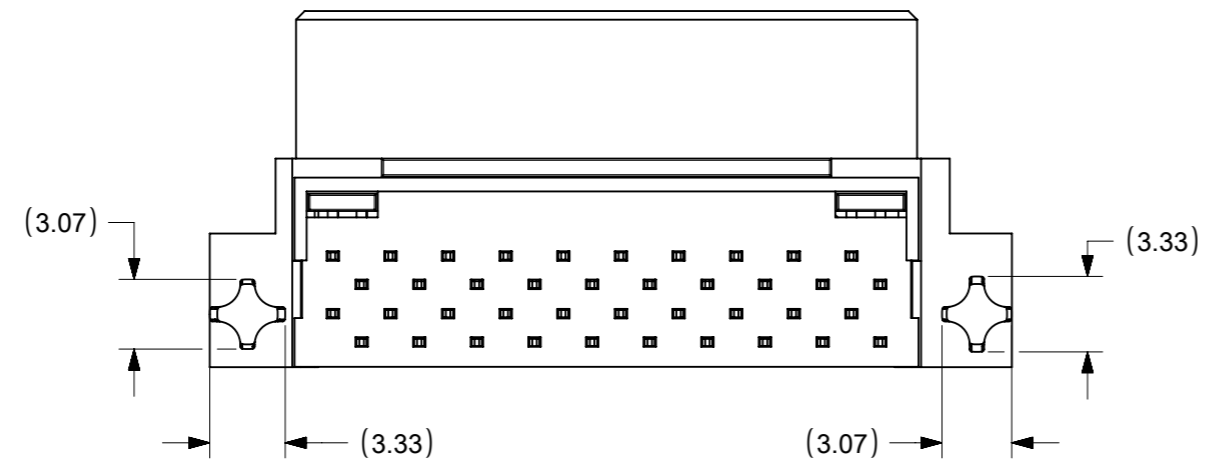
1



NUMBER OF SIGNAL
TERMINALS OPTIONAL
(SEE CHART)

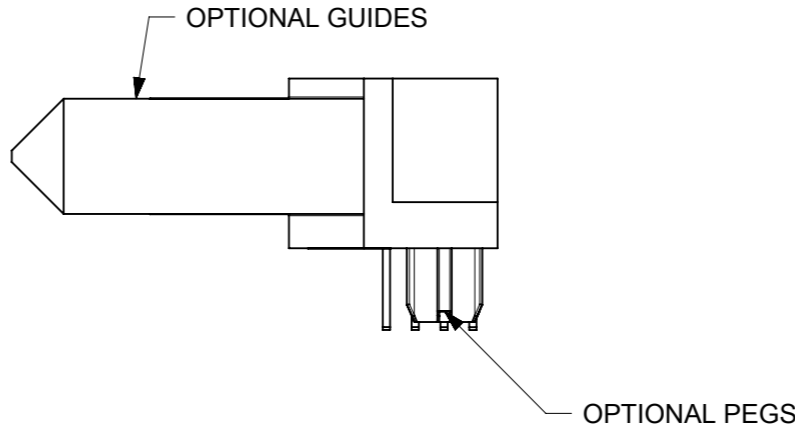
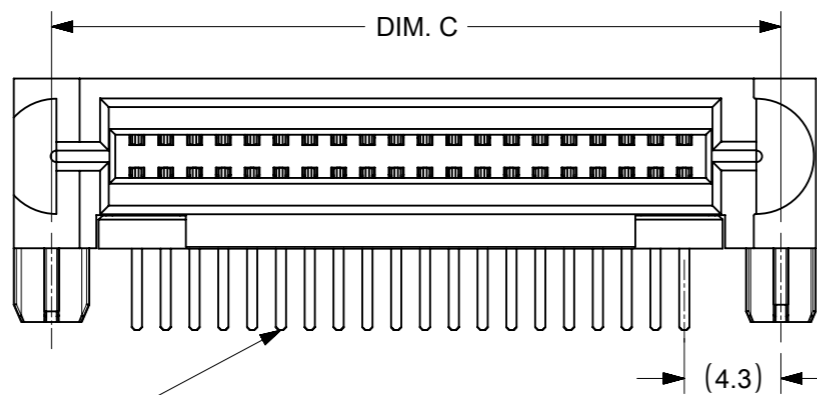
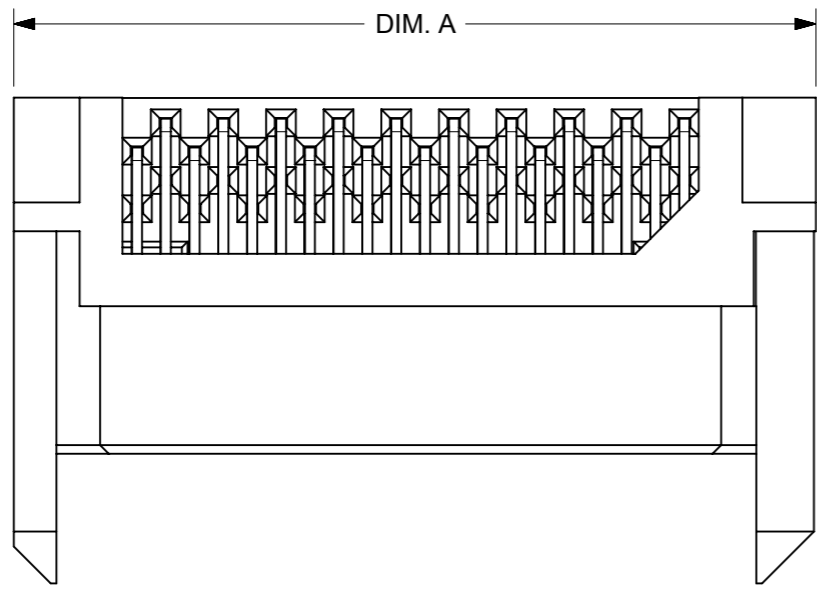
OPTIONAL PEGS

NO. OF SIGNAL	MATERIAL NUMBER	DIM A	DIM C	DIM P	PCB THICKNESS
12	45984-0311	17.6	14.37	4.50	3.18
16	45984-0321	20.1	16.91		
20	45984-0331	22.6	19.45		
24	45984-0341	25.2	21.99		
28	45984-0351	27.7	24.53		
32	45984-0361	30.3	27.07		
36	45984-0371	32.8	29.61		
40	45984-0381	35.4	32.15	3.60	2.36
12	45984-0312	17.6	14.37		
16	45984-0322	20.1	16.91		
20	45984-0332	22.6	19.45		
24	45984-0342	25.2	21.99		
28	45984-0352	27.7	24.53		
32	45984-0362	30.3	27.07		
36	45984-0372	32.8	29.61	2.90	1.57
40	45984-0382	35.4	32.15		
12	45984-0313	17.6	14.37		
16	45984-0323	20.1	16.91		
20	45984-0333	22.6	19.45		
24	45984-0343	25.2	21.99		
28	45984-0353	27.7	24.53		
32	45984-0363	30.3	27.07	2.90	1.57
36	45984-0373	32.8	29.61		
40	45984-0383	35.4	32.15		

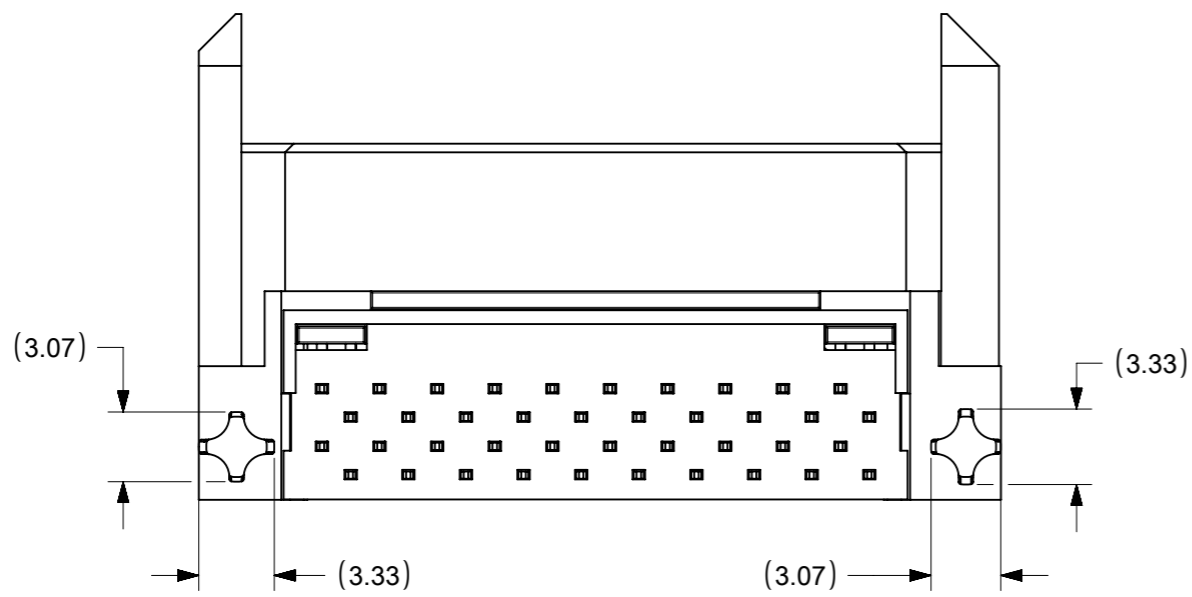


THIS DRAWING CONTAINS INFORMATION THAT IS PROPRIETARY TO MOLEX ELECTRONIC TECHNOLOGIES, LLC AND SHOULD NOT BE USED WITHOUT WRITTEN PERMISSION

DIMENSION UNITS	SCALE	CURRENT REV DESC: TAIL DIM TOLE. CHG		molex		
mm	3:1					
GENERAL TOLERANCES (UNLESS SPECIFIED)				LPH RECEPTACLE ASSEMBLY SIGNAL CONNECTOR		
	MM	INCH		PRODUCT CUSTOMER DRAWING		
4 PLACES	±	±		DOCUMENT NUMBER		
3 PLACES	±	±		SD-45984-483		
2 PLACES	± 0.25	±		DOC TYPE	DOC PART	REVISION
1 PLACE	± 0.38	±		PSD	001	F
0 PLACES	±	±		SHEET NUMBER		
ANGULAR TOL	± 0.5°			3 OF 6		
DRAFT WHERE APPLICABLE MUST REMAIN WITHIN DIMENSIONS	THIRD ANGLE PROJECTION	DRAWING	SERIES	MATERIAL NUMBER	CUSTOMER	
		A3-SIZE	45984	SEE CHART	GENERAL MARKET	



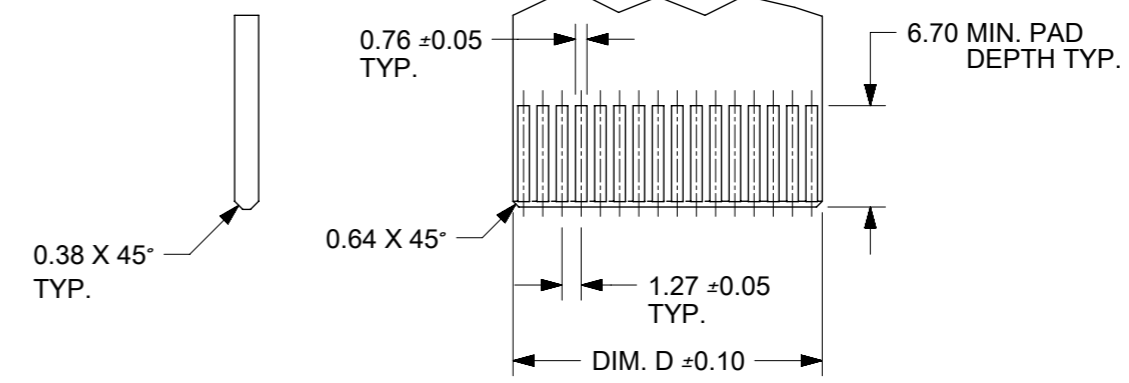
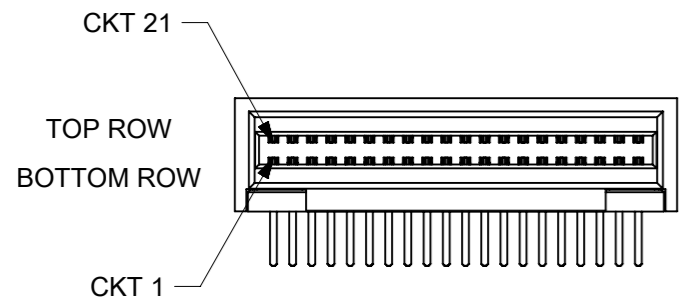
NUMBER OF SIGNAL
TERMINALS OPTIONAL
(SEE CHART)



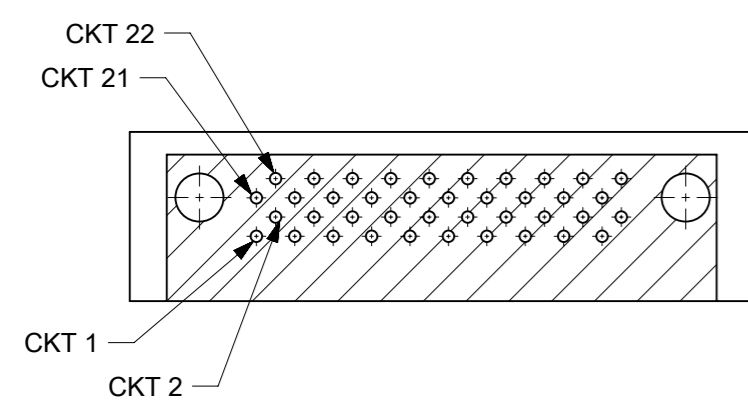
NO. OF SIGNAL	MATERIAL NUMBER	DIM A	DIM C	DIM P	PCB THICKNESS
12	45984-0411	17.6	14.37	4.50	3.18
16	45984-0421	20.1	16.91		
20	45984-0431	22.6	19.45		
24	45984-0441	25.2	21.99		
28	45984-0451	27.7	24.53		
32	45984-0461	30.3	27.07		
36	45984-0471	32.8	29.61	3.60	2.36
40	45984-0481	35.4	32.15		
12	45984-0412	17.6	14.37		
16	45984-0422	20.1	16.91		
20	45984-0432	22.6	19.45		
24	45984-0442	25.2	21.99		
28	45984-0452	27.7	24.53		
32	45984-0462	30.3	27.07		
36	45984-0472	32.8	29.61	2.90	1.57
40	45984-0482	35.4	32.15		
12	45984-0413	17.6	14.37		
16	45984-0423	20.1	16.91		
20	45984-0433	22.6	19.45		
24	45984-0443	25.2	21.99		
28	45984-0453	27.7	24.53		
32	45984-0463	30.3	27.07		
36	45984-0473	32.8	29.61		
40	45984-0483	35.4	32.15		

THIS DRAWING CONTAINS INFORMATION THAT IS PROPRIETARY TO MOLEX ELECTRONIC TECHNOLOGIES, LLC AND SHOULD NOT BE USED WITHOUT WRITTEN PERMISSION

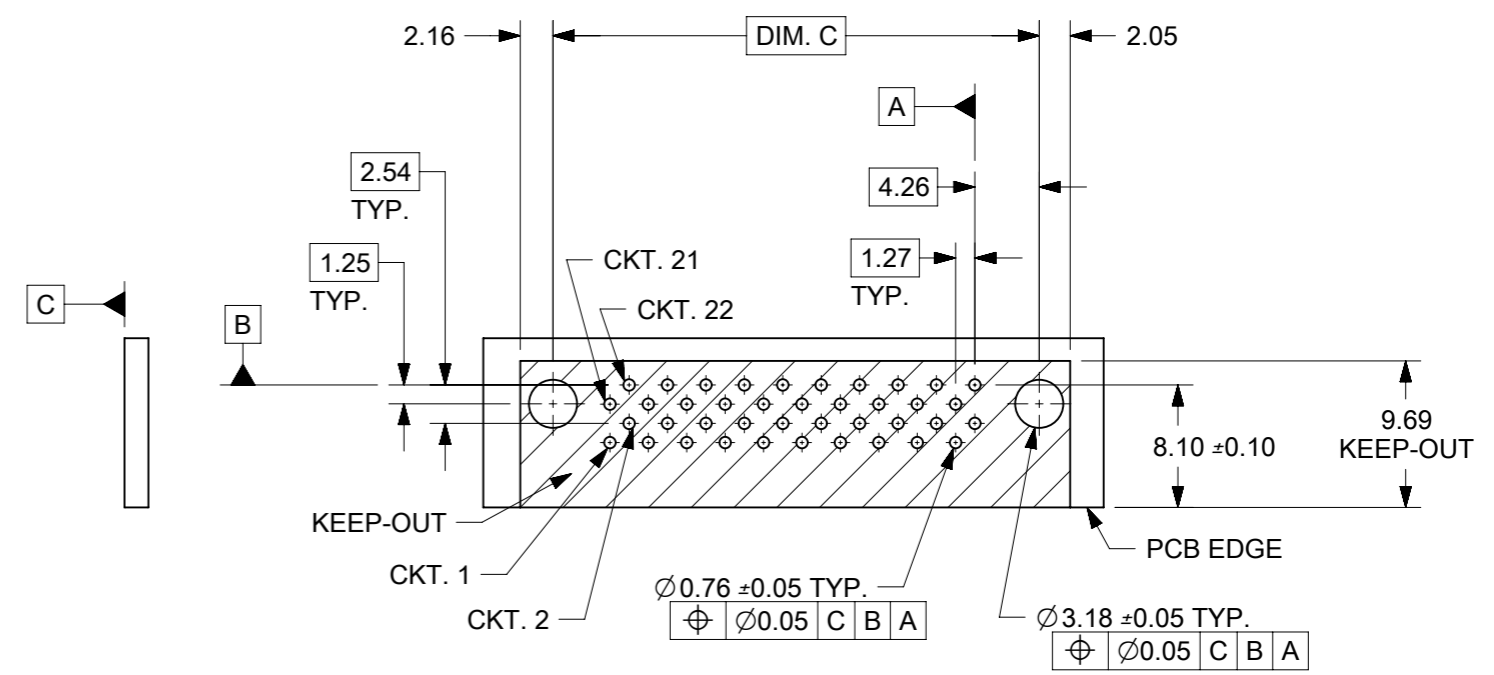
DIMENSION UNITS		SCALE		CURRENT REV DESC: TAIL DIM TOLE. CHG				molex					
mm		3:1											
GENERAL TOLERANCES (UNLESS SPECIFIED)								LPH RECEPTACLE ASSEMBLY SIGNAL CONNECTOR					
4 PLACES		±	±	EC NO: 609150		2018/12/05		PRODUCT CUSTOMER DRAWING					
3 PLACES		±	±	DRWN: MBELLE		2018/12/14							
2 PLACES		±	0.25	CHK'D: HTHYAGARAJ		2018/12/14		DOCUMENT NUMBER: SD-45984-483 DOC TYPE: PSD DOC PART: 001 REVISION: F					
1 PLACE		±	0.38	APPR: HTHYAGARAJ		2018/12/14							
0 PLACES		±	±	INITIAL REVISION:									
ANGULAR TOL		±	0.5°	DRWN: BANDURA		2006/04/24							
DRAFT WHERE APPLICABLE MUST REMAIN WITHIN DIMENSIONS		THIRD ANGLE PROJECTION		DRAWING		SERIES		MATERIAL NUMBER		CUSTOMER		SHEET NUMBER	
		A3-SIZE		45984		SEE CHART		GENERAL MARKET		4 OF 6			



RECOMMENDED CARD EDGE LAYOUT
CARD EDGE THICKNESS: 1.57 ± 0.15



CIRCUIT IDENTIFICATION
(40 CIRCUIT SHOWN)

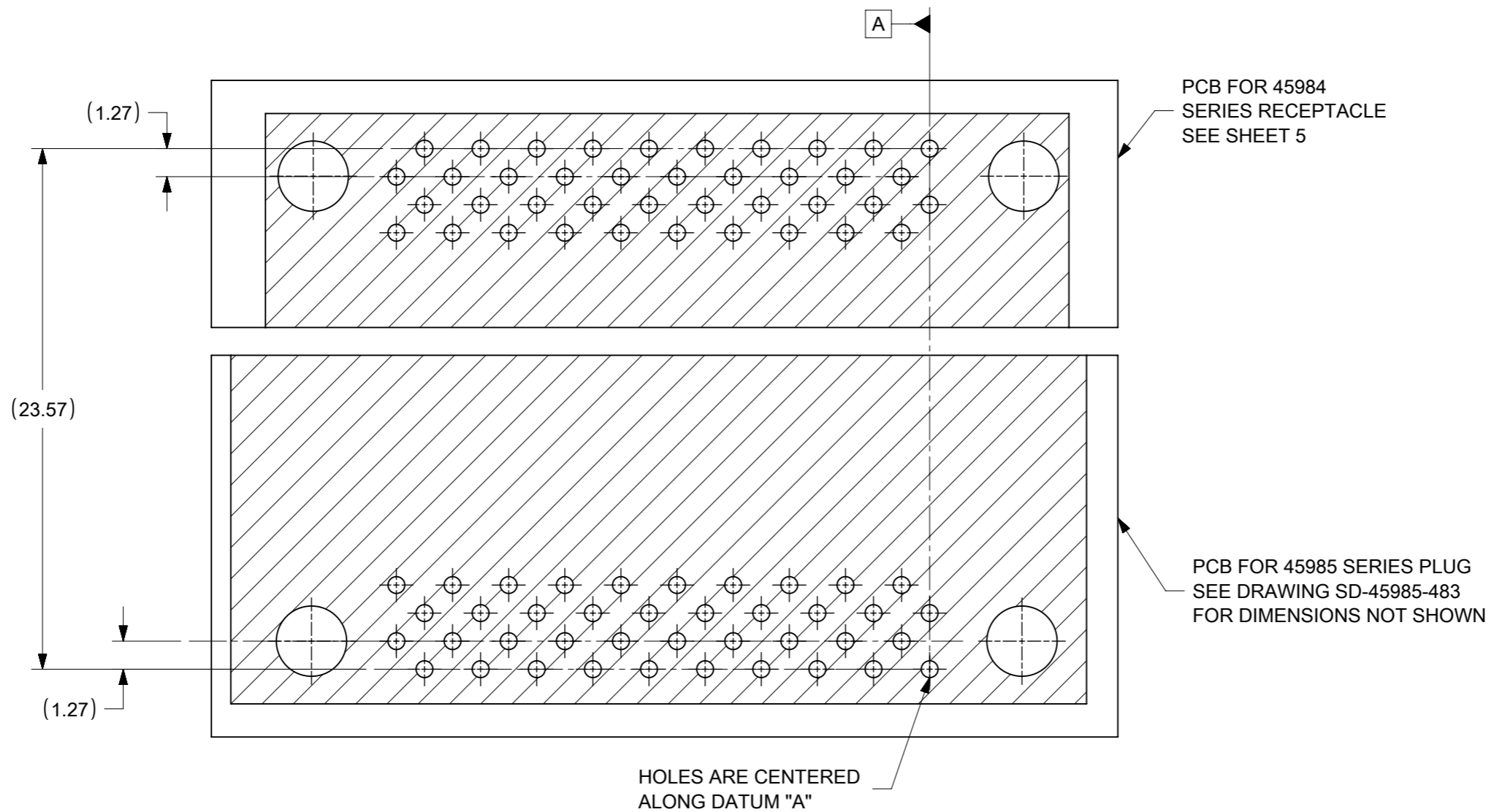


RECOMMENDED PCB LAYOUT
SHOWN FROM COMPONENT SIDE

NO. OF SIGNAL	DIM. C	DIM. D
12	14.37	8.00
16	16.91	10.44
20	19.45	13.08
24	21.99	15.62
28	24.53	18.16
32	27.07	20.70
36	29.61	23.24
40	32.15	25.78

THIS DRAWING CONTAINS INFORMATION THAT IS PROPRIETARY TO MOLEX ELECTRONIC TECHNOLOGIES, LLC AND SHOULD NOT BE USED WITHOUT WRITTEN PERMISSION

DIMENSION UNITS mm	SCALE 2:1	CURRENT REV DESC: TAIL DIM TOLE. CHG		molex				
GENERAL TOLERANCES (UNLESS SPECIFIED)		EC NO: 609150						LPH RECEPTACLE ASSEMBLY SIGNAL CONNECTOR
4 PLACES ±	±	DRWN: MBELLE	2018/12/05	PRODUCT CUSTOMER DRAWING				
3 PLACES ±	±	CHK'D: HTHYAGARAJ	2018/12/14	DOCUMENT NUMBER				
2 PLACES ±	0.25 ±	APPR: HTHYAGARAJ	2018/12/14	SD-45984-483		DOC TYPE	DOC PART	REVISION
1 PLACE ±	0.38 ±	INITIAL REVISION:		PSD 001 F				
0 PLACES ±	±	DRWN: BANDURA	2006/04/24	MATERIAL NUMBER				
ANGULAR TOL ±	0.5°	APPR: PATEL	2006/04/28	SEE CHART		CUSTOMER		SHEET NUMBER
DRAFT WHERE APPLICABLE MUST REMAIN WITHIN DIMENSIONS		THIRD ANGLE PROJECTION	DRAWING	SERIES	GENERAL MARKET		5 OF 6	



PCB ALIGNMENT VIEW

THIS DRAWING CONTAINS INFORMATION THAT IS PROPRIETARY TO MOLEX ELECTRONIC TECHNOLOGIES, LLC AND SHOULD NOT BE USED WITHOUT WRITTEN PERMISSION									
DIMENSION UNITS		SCALE		CURRENT REV DESC: TAIL DIM TOLE. CHG					
mm		4:1							
GENERAL TOLERANCES (UNLESS SPECIFIED)									
		MM	INCH	LPH RECEPTACLE ASSEMBLY SIGNAL CONNECTOR PRODUCT CUSTOMER DRAWING EC NO: 609150 DRWN: MBELLE 2018/12/05 CHK'D: HTHYAGARAJ 2018/12/14 APPR: HTHYAGARAJ 2018/12/14 INITIAL REVISION: DRWN: BANDURA 2006/04/24 APPR: PATEL 2006/04/28					
4 PLACES	±								
3 PLACES	±								
2 PLACES	±	0.25							
1 PLACE	±	0.38							
0 PLACES	±			DOCUMENT NUMBER		DOC TYPE	DOC PART	REVISION	
ANGULAR TOL		± 0.5°		SD-45984-483		PSD	001	F	
DRAFT WHERE APPLICABLE MUST REMAIN WITHIN DIMENSIONS		THIRD ANGLE PROJECTION		DRAWING	SERIES	MATERIAL NUMBER	CUSTOMER	SHEET NUMBER	
				A3-SIZE	45984	SEE CHART	GENERAL MARKET	6 OF 6	