

THIS DRAWING IS UNPUBLISHED.  
VERTRAULICHE UNVERÖFFENTLICHTE ZEICHNUNG

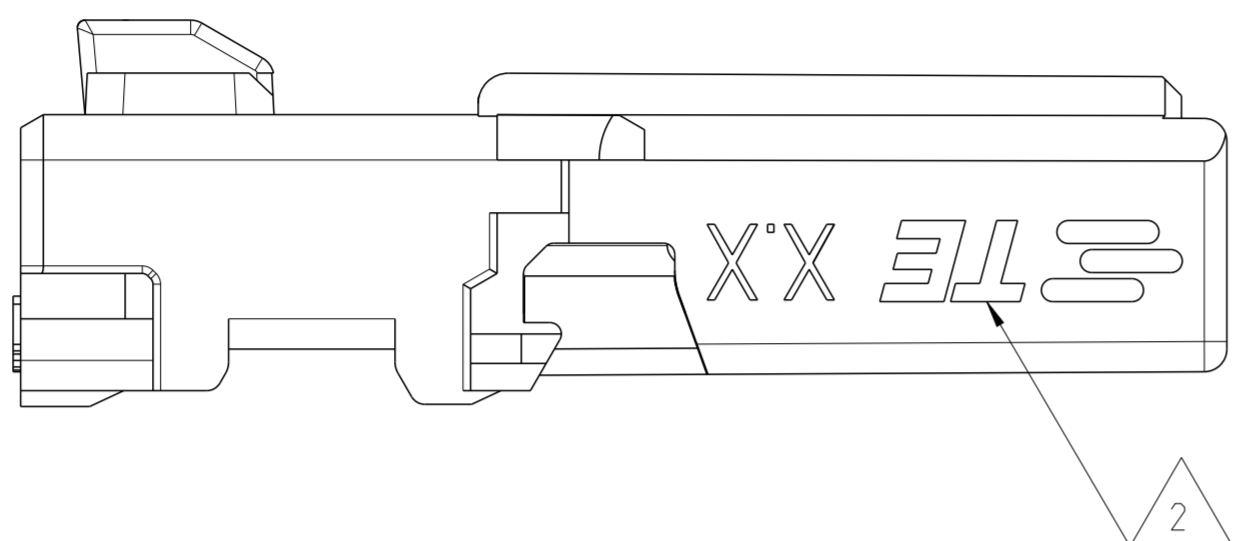
RELEASED FOR PUBLICATION  
FREI FUER VERÖFFENTLICHUNG

MATED WITH:  
PASSEND ZU:

PROJEKT NR.:

REVISIONS  
ÄNDERUNGEN

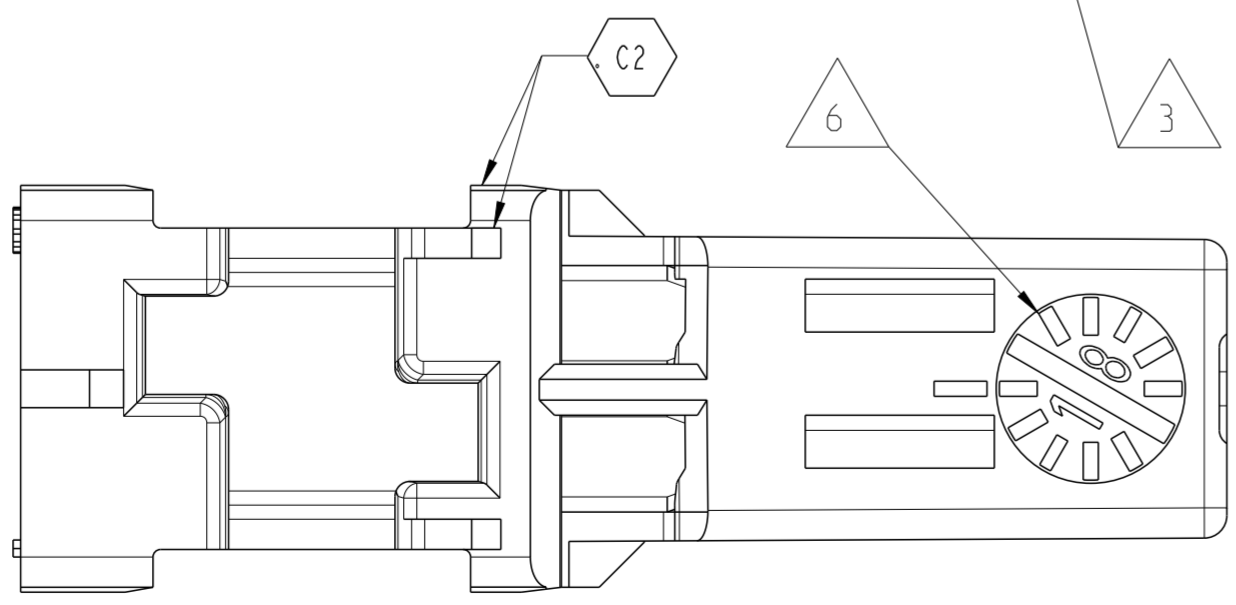
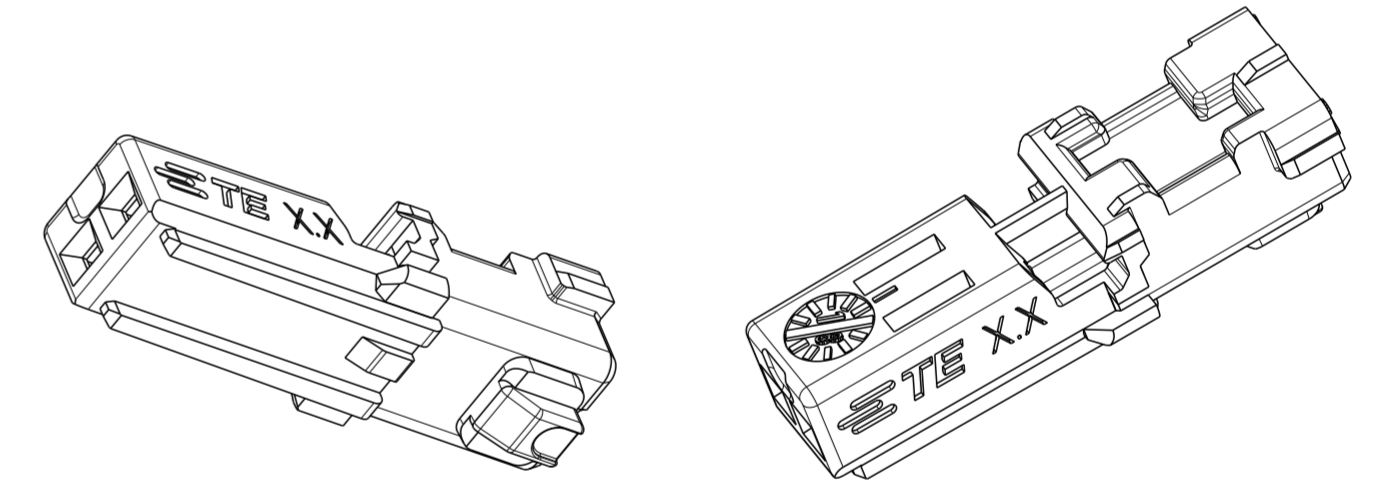
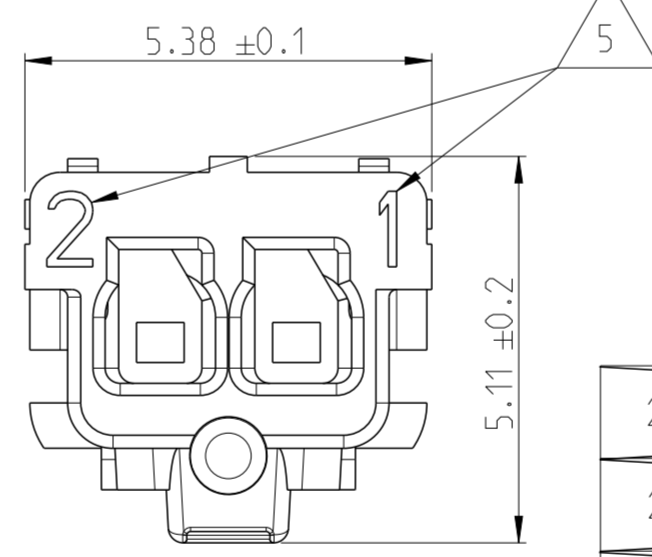
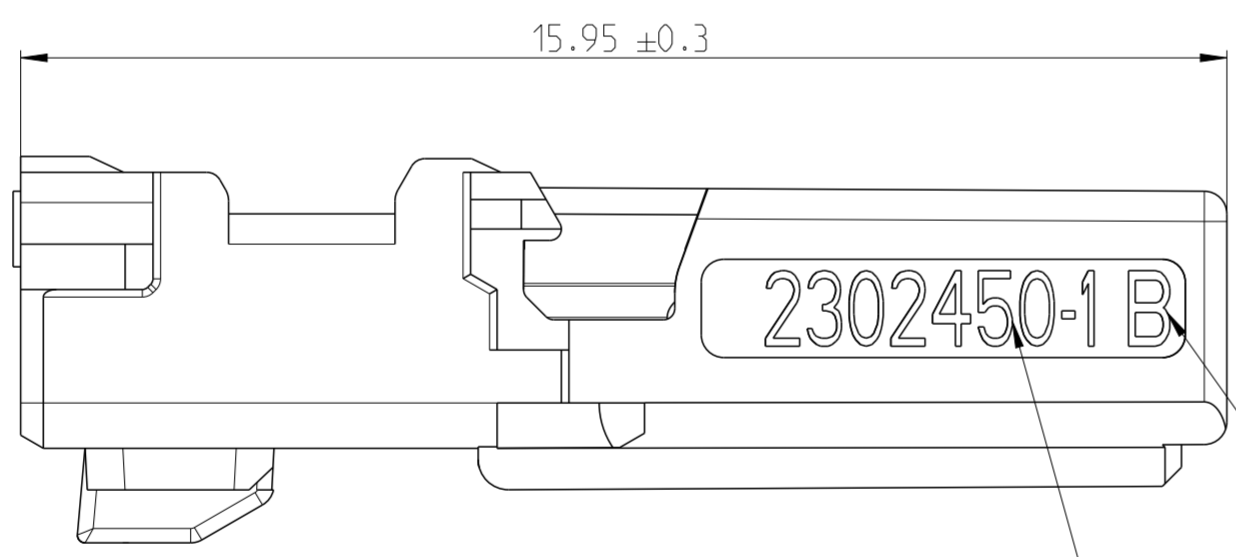
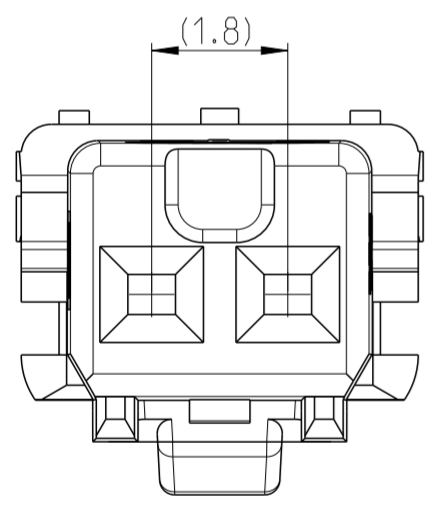
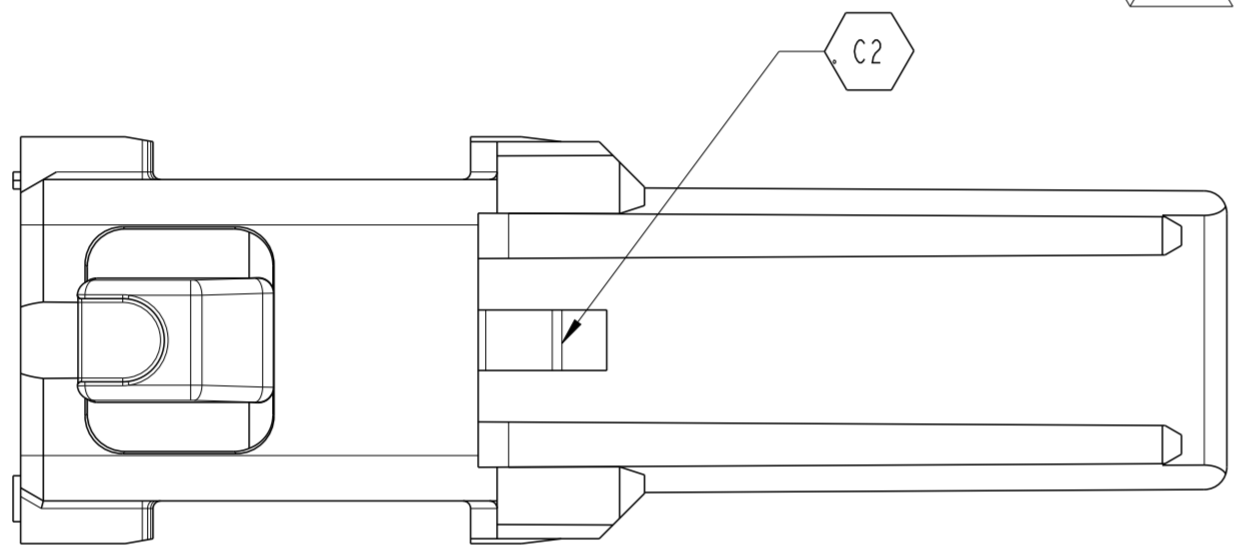
P	LTR	DESCRIPTION BESCHREIBUNG	DATE	DWN	APVD
B1	E-17-011574	Added Serial Part	09AUG2017	RW	AK
C	E-18-003849		09APR2018	DK	AK
C1	E-18-008153	Added Variant 1-2302450-1 (Page 2)	28MAY2018	RW	AK
C2	E-18-015417	minor shape update	27SEP2018	RW	AK



Kammer CAVITY	ALL CAVITIES
Buchsenkontakt SOCKET CONTACT	Nano MQS
max. DGB [mm²] MAX. DGB [mm²]	0.35mm² FLR
max. Isolation Ø MAX. ISOLATION Ø	1.3mm
Zeichnung TE DRAWING TE	1703930

Notizen / NOTES:

- 1 2302450-1 wie dargestellt  
2302450-1 AS SHOWN
- 2 TE-Logo  
TE-LOGO
- 3 TE Teil Nummer  
TE PART NUMBER
- 4 Revisionsstand  
PART REVISION
- 5 Kontaktkammernummer  
CONTACT CAVITY NUMBER
- 6 Produktionsdatum  
PRODUCTION DATE
- 7 Verpackung: Schuetztgut im Beutel im Karton  
PACKAGING: LOOSE PIECES IN BAG IN BOX
- 8 zugehoeriger Kontakt siehe Tabelle:  
SUITABLE FOR CONTACT SEE TABLE:



2302450-6	B	MATenet 2Pos. NanoMQS, FEMALE INSERT MODUL, violet	0.2	HeatherViolet 4003	
2302450-5	B	MATenet 2Pos. NanoMQS, FEMALE INSERT MODUL, brown	0.2	FawnBrown 8007	
2302450-4	B	MATenet 2Pos. NanoMQS, FEMALE INSERT MODUL, blue	0.2	SignalBlue 5005	
2302450-3	B	MATenet 2Pos. NanoMQS, FEMALE INSERT MODUL, yellow	0.2	CurryYellow 1027	
2302450-2	B	MATenet 2Pos. NanoMQS, FEMALE INSERT MODUL, green	0.2	EmeraldGreen 6001	
2302450-1	B	MATenet 2Pos. NanoMQS, FEMALE INSERT MODUL, black	0.2	Black 9005	
PART No.	Rev.	DESCRIPTION	MATERIAL	WEIGHT [g]	COLOUR similar RAL

THIS DRAWING IS A CONTROLLED DOCUMENT. DIMENSIONING AND TOLERANCING PER GPS (ISO STANDARDS)

DWN: J. KIESSWEITER 16AUG2016  
CHK: R. WUERKER 16AUG2016  
APVD: A. KETTLER 29AUG2016

TE Connectivity

MATenet, 2Pos., nanoMQS, FEMALE INSERT MODUL

SIZE: A2 CAGE CODE: 00779 DRAWING NO: C-2302450

MATERIAL: see table TOLERANCES UNLESS OTHERWISE SPECIFIED: ALLGEMEINTOLERANZEN

0 PLC	±0.2
1 PLC	±0.1
2 PLC	±0.1
3 PLC	±
4 PLC	±
ANGLES/WINKEL	±°
FINISH/OBERFLAECHE/FARBE	-

SCALE: MASSSTAB 5:1 SHEET: BLATT 1 OF 3 REV: C2

THIS DRAWING IS UNPUBLISHED  
VERTRÄGLICHE UNVERÖFFENTLICHTE ZEICHNUNG  
© COPYRIGHT 2017 BY TE Connectivity Germany GmbH

RELEASED FOR PUBLICATION  
FREI FÜR VERÖFFENTLICHUNG  
ALL RIGHTS RESERVED.  
ALLE RECHTE VORBEHALTEN.

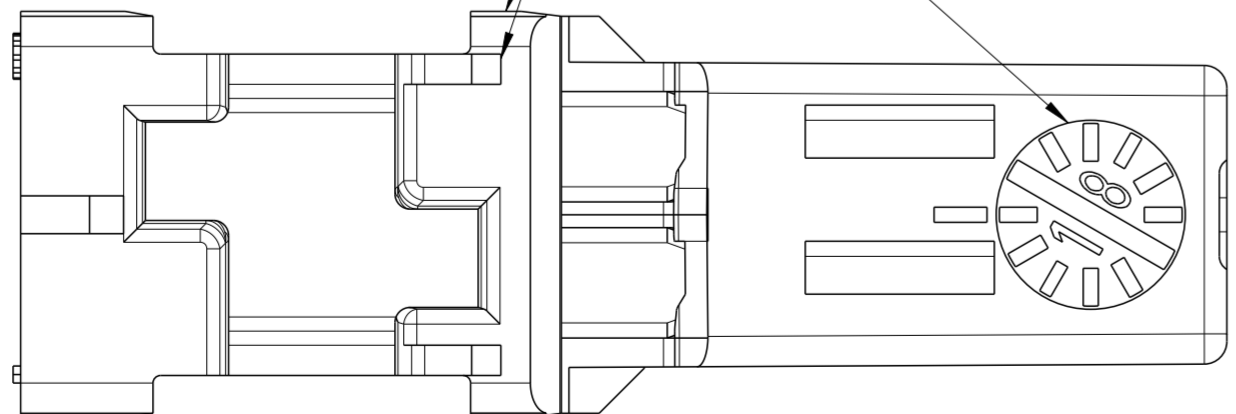
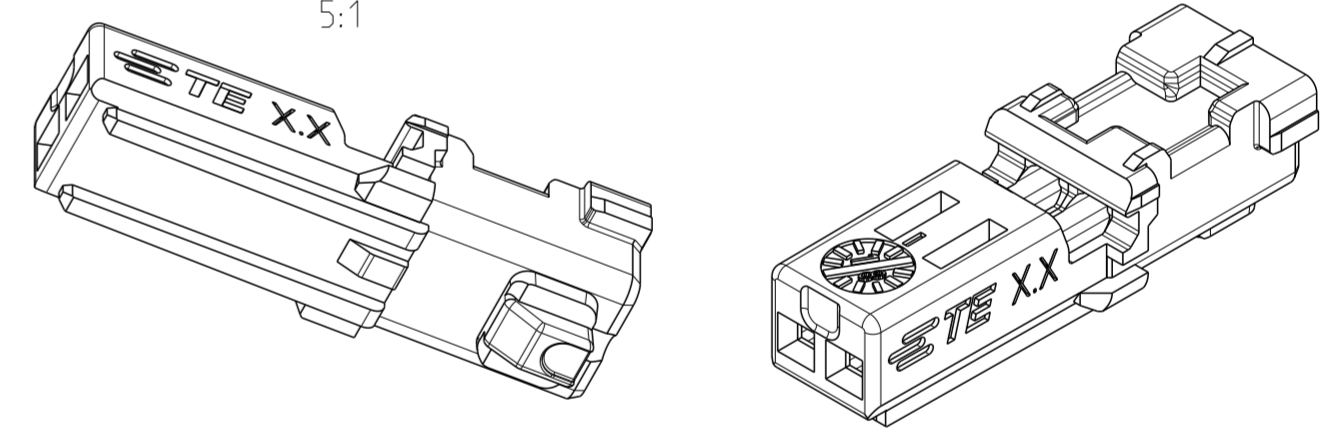
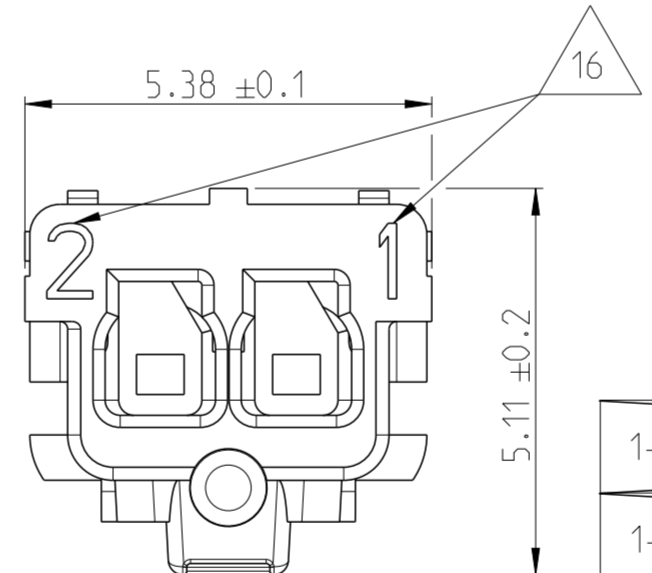
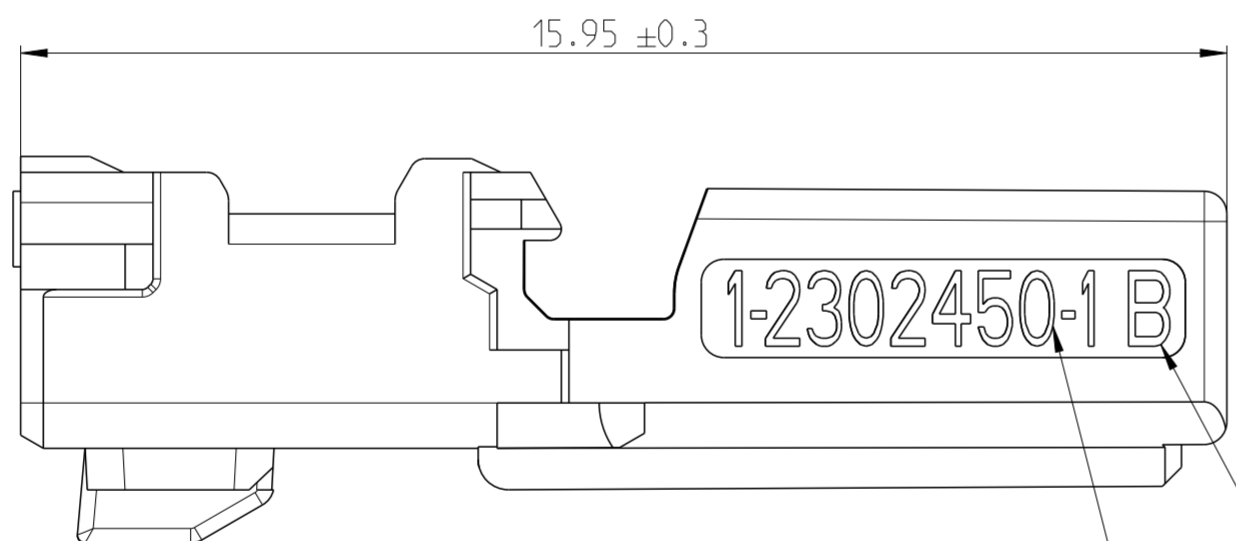
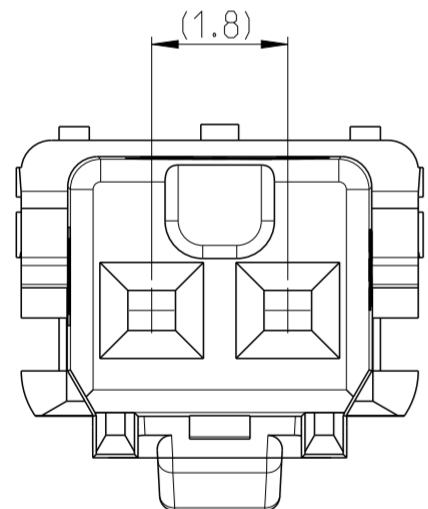
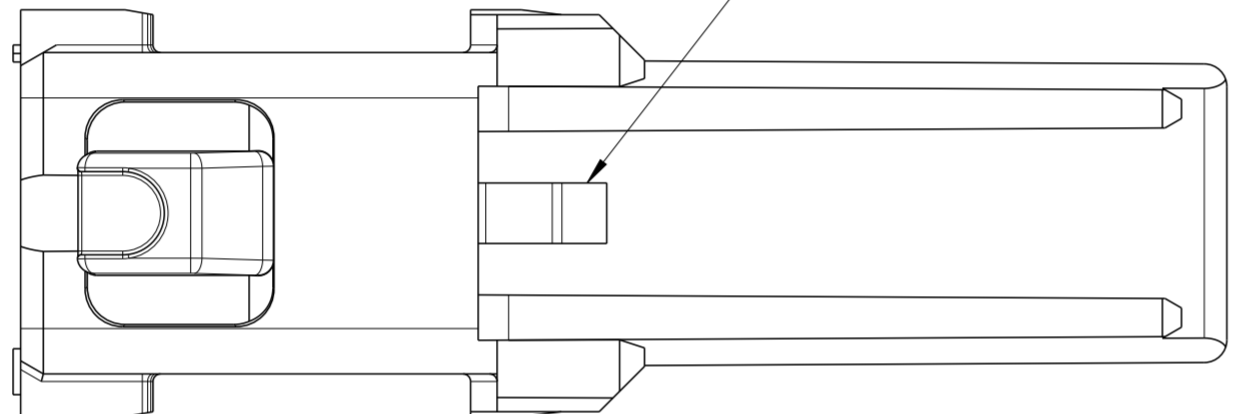
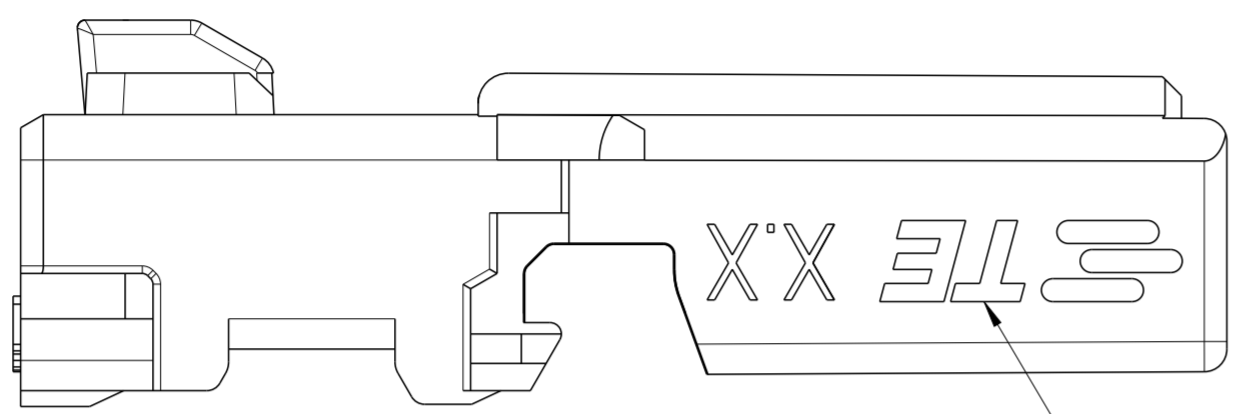
MATED WITH  
PASSEND ZU:

PROJEKT NR.:		REVISIONS ÄNDERUNGEN			
P	LTR	DESCRIPTION BESCHREIBUNG	DATE	DWN	APVD
-	-	SEE SHEET 1	-	-	-

Notizen / NOTES:

- 11 1-2302450-1 wie dargestellt  
1-2302450-1 AS SHOWN
- 12 Sondervariante, nicht fuer PoDL Anwendungen geeignet  
SPECIAL VARIANT, NOT SUITABLE FOR PoDL APPLICATIONS
- 13 TE-Logo  
TE-LOGO
- 14 TE Teil Nummer  
TE PART NUMBER
- 15 Revisionsstand  
PART REVISION
- 16 Kontaktkammernummer  
CONTACT CAVITY NUMBER
- 17 Produktionsdatum  
PRODUCTION DATE
- 18 Verpackung: Schuetttgut im Beutel im Karton  
PACKAGING: LOOSE PIECES IN BAG IN BOX
- 19 zugehoeriger Kontakt siehe Tabelle:  
SUITABLE FOR CONTACT SEE TABLE:

Kammer CAVITY	ALL CAVITIES
Buchsenkontakt SOCKET CONTACT	Nano MQS
max. DGB [mm <sup>2</sup> ] MAX. DGB [mm <sup>2</sup> ]	0.35mm <sup>2</sup> FLR
max. Isolation Ø MAX. ISOLATION Ø	1.3mm
Zeichnung TE DRAWING TE	1703930



PART No.	Rev.	DESCRIPTION	MATERIAL	WEIGHT [g]	COLOUR similar RAL
1-2302450-6	B	MATenet 2Pos. NanoMQS, FEMALE INSERT MODUL, violet		0.2	HeatherViolet 4003
1-2302450-5	B	MATenet 2Pos. NanoMQS, FEMALE INSERT MODUL, brown		0.2	FawnBrown 8007
1-2302450-4	B	MATenet 2Pos. NanoMQS, FEMALE INSERT MODUL, blue		0.2	SignalBlue 5005
1-2302450-3	B	MATenet 2Pos. NanoMQS, FEMALE INSERT MODUL, yellow		0.2	CurryYellow 1027
1-2302450-2	B	MATenet 2Pos. NanoMQS, FEMALE INSERT MODUL, green		0.2	EmeraldGreen 6001
1-2302450-1	B	MATenet 2Pos. NanoMQS, FEMALE INSERT MODUL, black	PA66-GF30 0% regrind	0.2	Black 9005

THIS DRAWING IS A CONTROLLED DOCUMENT. DIMENSIONING AND TOLERANCING PER GPS (ISO STANDARDS)

DWN J. KIESSWEITER 16 AUG 2016	CHK R. WUERKER 16 AUG 2016	APVD A. KETTLER 29 AUG 2016	NAME MATenet, 2Pos., nanoMQS, FEMALE INSERT MODUL
DIMENSIONS: MASSEINHEITEN: (mm)		TOLERANCES UNLESS OTHERWISE SPECIFIED: ALLGEMEINTOLERANZEN	
MATERIAL see table		FINISH/OBERFLAECHE/FARBE	

SIZE A2	CAGE CODE 00779	DRAWING NO. ZEICHNUNGS-NR. C-2302450	RESTRICTED TO NUR FÜR
CUSTOMER DRAWING / KUNDENZEICHNUNG		SCALE MASSSTAB 10:1	SHEET BLATT 2 OF 3

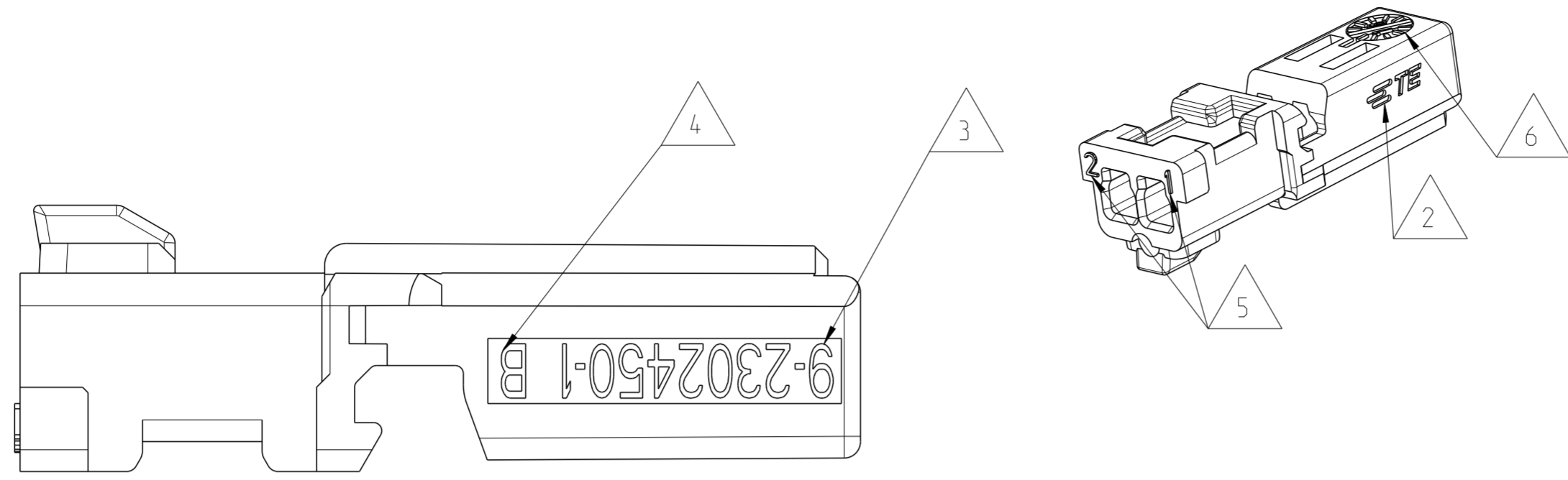
TE Connectivity

THIS DRAWING IS UNPUBLISHED.  
 VERTRAULICHE UNVERÖFFENTLICHTE ZEICHNUNG  
 © COPYRIGHT 2017 BY TE Connectivity Germany GmbH

RELEASED FOR PUBLICATION  
 FREI FUER VERÖFFENTLICHUNG  
 ALL RIGHTS RESERVED.  
 ALLE RECHTE VORBEHALTEN.

MATED WITH:  
 PASSEND ZU:

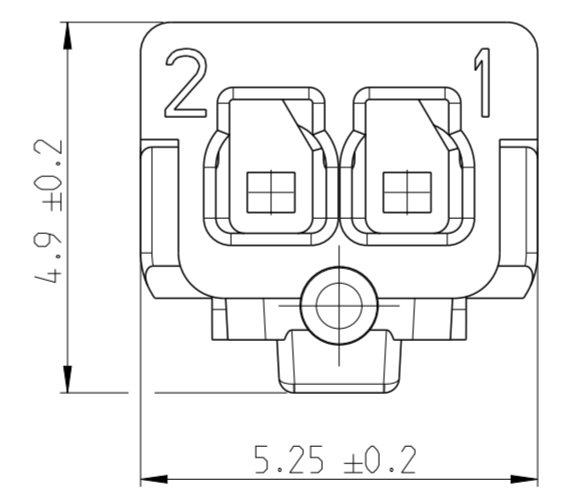
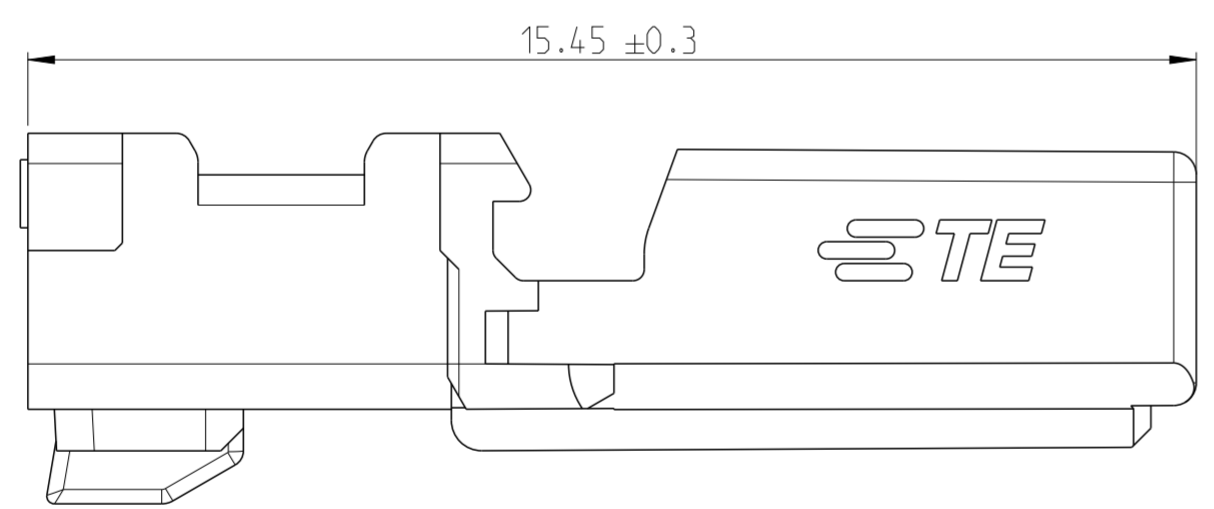
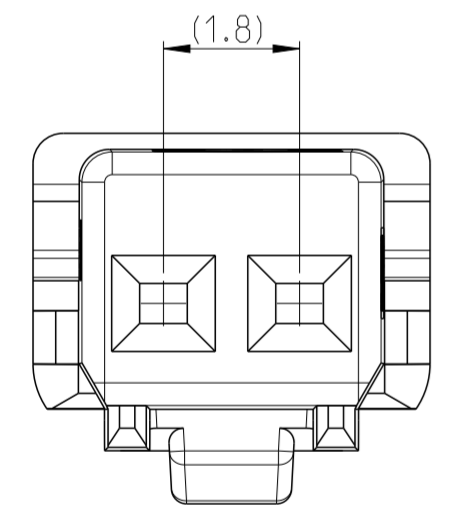
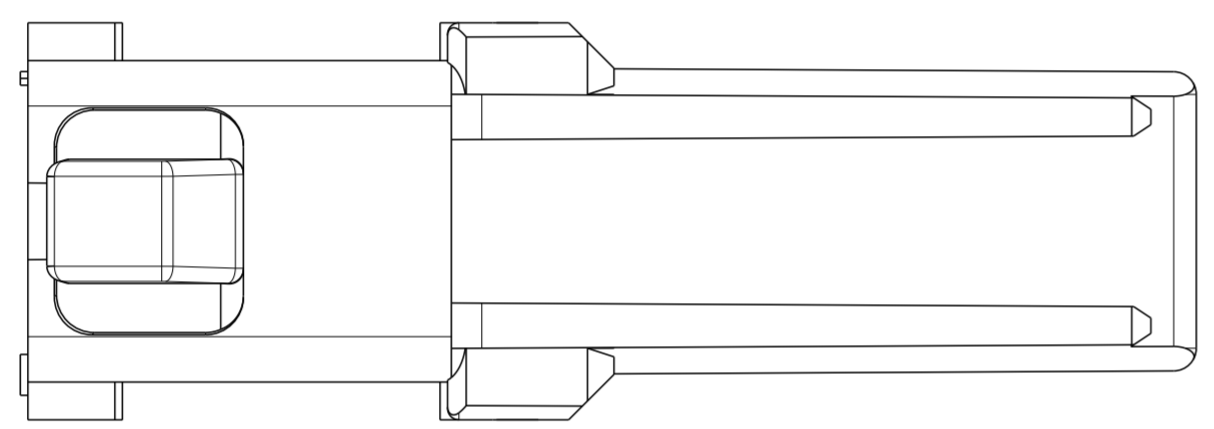
PROJEKT NR.:		REVISIONS ÄNDERUNGEN			
P	LTR	DESCRIPTION BESCHREIBUNG	DATE	DWN	APVD
-	-	SEE SHEET 1	-	-	-



Notizen / NOTES:

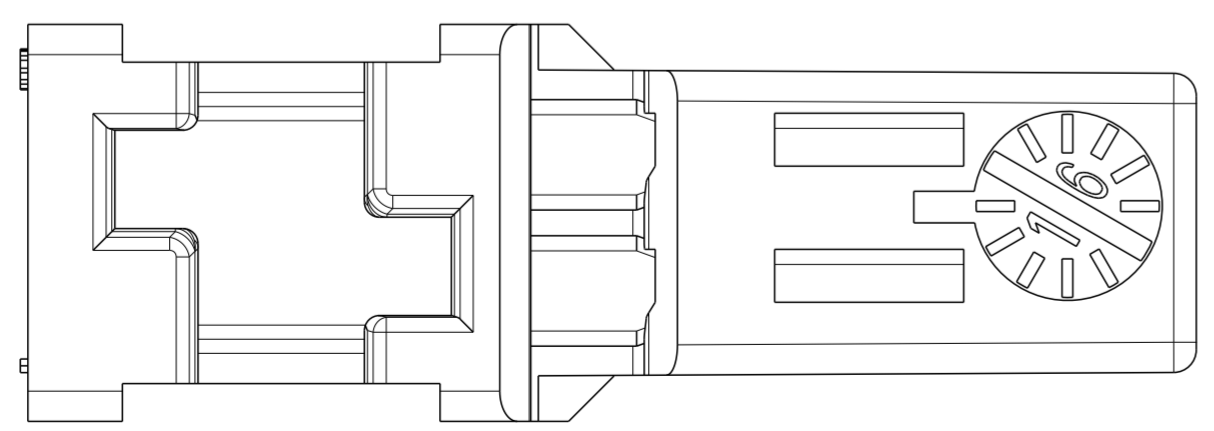
- 1 9-2302450-1 wie dargestellt  
9-2302450-1 AS SHOWN
- 2 TE-Logo  
TE-LOGO
- 3 TE Teil Nummer  
TE PART NUMBER
- 4 Revisionsstand  
PART REVISION
- 5 Kontaktkammernummer  
CONTACT CAVITY NUMBER
- 6 Produktionsdatum  
PRODUCTION DATE
- 7 Verpackung: Schuettgut im Beutel im Karton  
PACKAGING: LOOSE PIECES IN BAG IN BOX
- 8 zugehoeriger Kontakt siehe Tabelle:  
SUITABLE FOR CONTACT SEE TABLE:


Kammer CAVITY	ALL CAVITIES
Buchsenkontakt SOCKET CONTACT	Nano MQS
max. DGB [mm <sup>2</sup> ] MAX. DGB [mm <sup>2</sup> ]	0.35mm <sup>2</sup> FLR
max. Isolation Ø MAX. ISOLATION Ø	1.3mm
Zeichnung TE DRAWING TE	1703930



**NUR FUER B-MUSTER  
 FOR PROTOTYPE B-SAMPLES ONLY**

9-2302450-6	B	MATenet 2Pos. NanoMQS, FEMALE INSERT MODUL, violet	0.21	HeatherViolet 4003	
9-2302450-5	B	MATenet 2Pos. NanoMQS, FEMALE INSERT MODUL, brown	0.21	FawnBrown 8007	
9-2302450-4	B	MATenet 2Pos. NanoMQS, FEMALE INSERT MODUL, blue	0.21	SignalBlue 5005	
9-2302450-3	B	MATenet 2Pos. NanoMQS, FEMALE INSERT MODUL, yellow	0.21	CurryYellow 1027	
9-2302450-2	B	MATenet 2Pos. NanoMQS, FEMALE INSERT MODUL, green	0.21	EmeraldGreen 6001	
9-2302450-1	B	MATenet 2Pos. NanoMQS, FEMALE INSERT MODUL, black	0.21	Black 9005	
PART No.	Rev.	DESCRIPTION	MATERIAL	WEIGHT [g]	COLOUR similar RAL



THIS DRAWING IS A CONTROLLED DOCUMENT. DIMENSIONING AND TOLERANCING PER GPS (ISO STANDARDS)		DWN J.KIESSWEITER 16AUG2016	 TE Connectivity	
DIMENSIONS: MASSEINHEITEN: (mm)		CHK R.WUERKER 16AUG2016		
TOLERANCES UNLESS OTHERWISE SPECIFIED: ALLGEMEINTOLERANZEN		NAME MATenet, 2Pos., nanoMQS, FEMALE INSERT MODUL		RESTRICTED TO NUR FUER
0 PLC ±0.2 1 PLC ±0.1 2 PLC ±0.05 3 PLC ± 4 PLC ± ANGLES/WINKEL ±° FINISH/OBERFLAECHE/FARBE		PRODUCT SPEC 108-94568 APPLICATION SPEC VERARBEITUNGSSPEZ. 114-94431		
MATERIAL see table		WEIGHT GEWICHT -		SIZE A2
-		CUSTOMER DRAWING		SCALE MASSTAB 5:1
-		/KUNDENZEICHNUNG		SHEET BLATT 3 OF 3
-		SCALE MASSTAB 5:1		REV C2