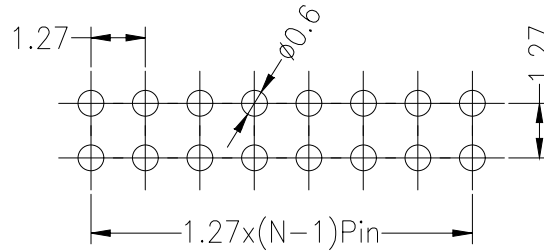


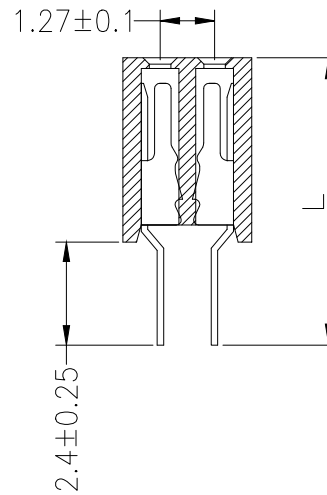
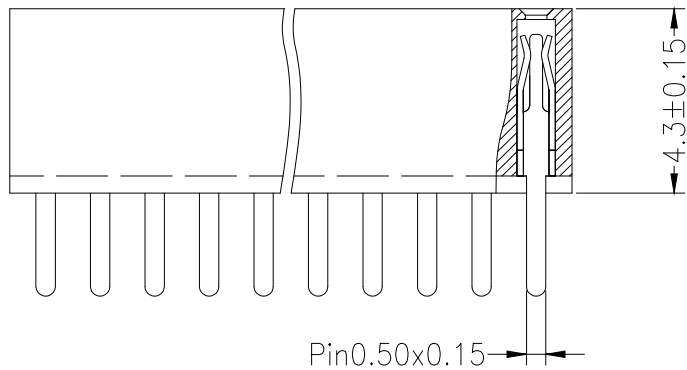
Recommended P.C.B Layout(Top Side)  
(PCB BOARD TOLERANCE±0.05)



**SPECIFICATIONS**

Rated Current:1.0AMP  
Contact Resistance:20mΩ Max  
Withstand Voltage:500V AC/DC  
Insulation Resistance:1000MΩ Min  
Operation Temperature:-40°c to +105°c

Contact Material:Phosphor Bronze  
Contact Plating:Au Over Ni  
Insulator Material:Polyester(UL94V-0)  
Standard: PA6T  
Max.Processing Temp: 230°C for 30-60 seconds  
(260°C for 10 seconds)



**Ordering Information**

PM 127 - \* - N - Z - \* - \*\*

No.of Rows  
1=Single Row  
2=Dual Row

No.of Pins  
2-40Pin

Type  
Z=直针  
N=弯针  
S=空贴  
W=穿贴

Length  
(塑高)

Contact Plating  
G0:Gold Flash  
G1:1u" Gold  
G2:3u" Gold  
G3:5u" Gold  
G4:10u" Gold  
G5:15u" Gold  
G6:30u" Gold  
S0:Gold Flash/Tin  
S1:Tin

|           |                        |                   |                   |       |                  |  |   |                          |             |     |
|-----------|------------------------|-------------------|-------------------|-------|------------------|--|---|--------------------------|-------------|-----|
|           |                        |                   | GENERAL TOLERANCE |       | 制图<br>DRAWING    |  | 深圳市华灿天禄电子有限公司<br>ShenzhenhuacantianluELECTRONICS CO., LTD |                          |             |     |
|           |                        |                   | DIM               | TOL   | 审核<br>CHECK      |  |   |                          |             |     |
|           |                        |                   | X.X               | ±0.30 | 批准<br>APPROVAL   |  | 产品名称<br>TITLE   | 1.27双排 排母 直针(塑高4.3)      | 版本<br>REV.  | A   |
|           |                        |                   | X.XX              | ±0.20 | 比例<br>SCALE      |  | 产品料号<br>PART NO.  | PM127-2-N-Z-4.3-XX(L6.7) | 单位<br>UNITS | mm  |
|           |                        |                   | X.XXX             | ±0.10 | 投影<br>Projection |  | 材料<br>MATERIAL  |                          | 页次<br>SHEET | 1/1 |
| 序号<br>No. | 变更内容<br>MODIFY CONTENT | 日期<br>MODIFY DATE | Angle             | ±3.0° |                  |  |   |                          |             |     |