

NOTES:

1. MATERIAL:

- 1.1. HOUSING: LCP ,COLOR IS GRAY;
- 1.2. CONTACT: PHOSPHOR COPPER (C5191 T=0.30mm);

2. FINISH: GOLD PLATED G/Fu";

4. ELECTRICAL:

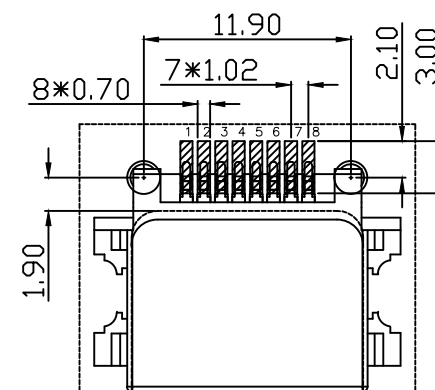
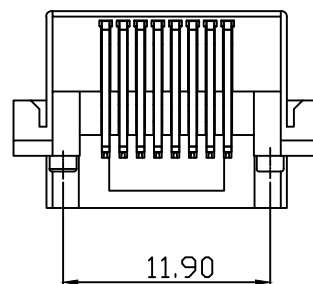
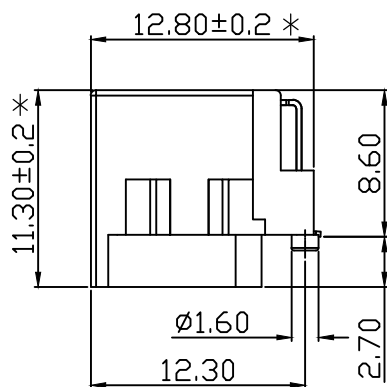
- 4.1. VOLTAGE RATING: 125 VAC RMS;
- 4.2. CURRENT RATING: 1.5 AMP;
- 4.3. CONTACT RESISTANCE: 35MILLIOHMS MAX.;
- 4.4. WITHSTAND VOLTAGE: 500 VAC RMS 50(60)Hz,1MIN.;
- 4.5. INSULATION RESISTANCE: 500MEGOHMS MIN @500V DC.;

5. MECHANICAL:

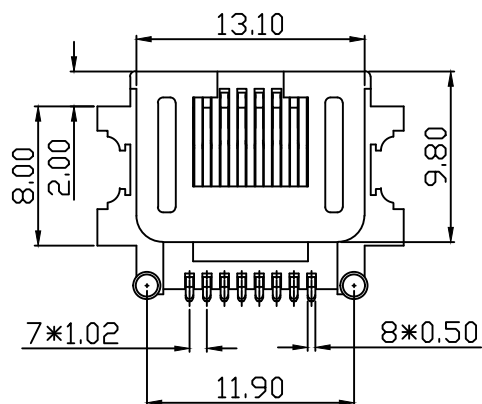
- 5.1. MATING/UNMATING FORCE: 22N MAX.;
- 5.2. RETENTION STRENGTH: 50N MIN.;
- 5.3. OPERATING LIFE: 750 CYCLES MIN.;

6. ENVIRONMENTAL:

- 6.1. STORAGE TEMPERATURE RANGE: -40°C~+85°C;
- 6.2. OPERATION TEMPERATURE RANGE: -25°C~+70°C;



PAD AREA (TOP VIEW)



			GENERAL TOLERANCE	制图 DRAWING	深圳市华灿天禄电子有限公司 ShenzhenhuacantianluELECTRONICS CO.,LTD			
			DIM TOL	审核 CHECK				
			X.X ±0.30	批准 APPROVAL	产品名称 TITLE	网络插座 RJ沉板(全塑编带)	版本 REV.	A
			X.XX ±0.20	比例 SCALE	产品料号 PART NO.	HC-RJ45-055-6	单位 UNITS	mm
			X.XXX ±0.10		投影 Projection	材料 MATERIAL		页次 SHEET
序号 No.	变更内容 MODIFY CONTENT	日期 MODIFY DATE	Angle ±3.0°					