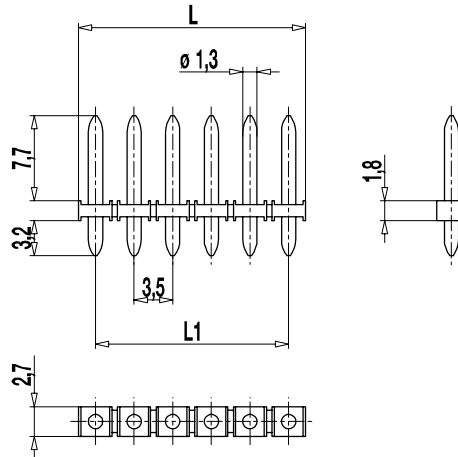


931-SLR-THR-1,3

Pin strip for THR
Soldering/plug-in area \varnothing 1,3 mm



$L1 = (\text{No. of poles} - 1) \times \text{pitch}$

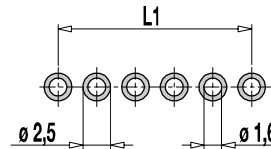
GENERAL INFORMATION

Pitch	3,5 mm
No. of poles	2 - 16
Usable with	plug connector 938-FLDS
Additional Information	Also, please take into consideration the pin strips 931-SLR-SMD-1,3 in genuine surface mount technology.

TECHNICAL DATA

Overvoltage Category	III	III	II
Pollution Severity Level	3	2	2
Rated Voltage	160 V	160 V	320 V
Rated Impulse Voltage	2,5 kV	2,5 kV	2,5 kV
Rated Insulation Voltage	130 V acc. to EN 60998-1		
Rated Current	6 A		
Soldering process	Wave solder & reflow solder		
Hole in PCB	\varnothing 1,6 mm		
PCB thickness	Wave solder max. 1,6 mm; reflow solder 1,6 - 3,2 mm		

PCB LAYOUT



Solder paste thickness:
0,15 - 0,2 mm
Solder pad diameter: \varnothing 2,5 mm

APPROVALS

	Current [A]	Voltage [V]	Group	AWG	[Nm]
	6	150	B		
	6	300	D		
	6	150	B		
	6	300	D		

MATERIAL

Moulding	PA HT, black, V-0
Comparative Tracking Index	CTI \geq 600
Insulating Group	I
Temperature Range	-40°C up to 120°C; reflow solder temperature peak max. 255°C acc. to DIN EN 61760-1
Solder pin	\varnothing 1,3 mm; tin plated brass

OPTIONS / ACCESSORIES

- Other plug pin lengths on request
- Other solder pin surfaces on request

CONFIGURATIONS

Poles	Part number	Article number	Length (L)	Packaging	PU	Tape Width	Tape Height
2	931-SLR-THR-1,3/02	12.893.726	6,50 mm	Box	1000		
3	931-SLR-THR-1,3/03	13.893.726	10,00 mm	Box	1000		
4	931-SLR-THR-1,3/04	14.893.726	13,50 mm	Box	500		
5	931-SLR-THR-1,3/05	15.893.726	17,00 mm	Box	500		
6	931-SLR-THR-1,3/06	16.893.726	20,50 mm	Box	500		
2	931-SLR-THR-1,3/02-T&R	12.893.726.A00	6,50 mm	Tape-on-Reel	500	24 mm	14,8 mm
3	931-SLR-THR-1,3/03-T&R	13.893.726.A00	10,00 mm	Tape-on-Reel	500	32 mm	14,6 mm
4	931-SLR-THR-1,3/04-T&R	14.893.726.A00	13,50 mm	Tape-on-Reel	500	32 mm	14,6 mm
5	931-SLR-THR-1,3/05-T&R	15.893.726.A00	17,00 mm	Tape-on-Reel	500	32 mm	14,6 mm
6	931-SLR-THR-1,3/06-T&R	16.893.726.A00	20,50 mm	Tape-on-Reel	500	56 mm	14,6 mm

further number of poles on request

