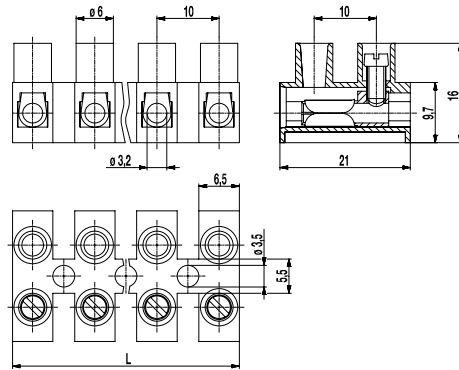
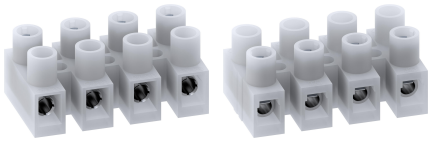


# 323-STFB(-DS)

Plug-in terminal strip  
Screw connection & socket



## GENERAL INFORMATION

Pitch	10 mm
No. of poles	2 - 12
Usable with	322-STFS(-DS)
Areas of application	Applications that require to easily open and close not energised circuits.

## TECHNICAL DATA

Clamping Range	<i>solid / stranded / AWG</i>		
<i>without wire protector</i>	0,75 - 6 mm <sup>2</sup> / 0,75 - 4 mm <sup>2</sup> / 18 - 10 AWG		
<i>with wire protector</i>	0,5 - 4 mm <sup>2</sup> / 0,5 - 2,5 mm <sup>2</sup> / 20 - 12 AWG		
Rated Cross Section	2,5 mm <sup>2</sup>		
Wire Stripping Length	6 mm ± 0,5 mm		
Overvoltage Category	III	III	II
Pollution Severity Level	3	2	2
Rated Voltage	400 V	630 V	630 V
Rated Impulse Voltage	6 kV	6 kV	6 kV
Rated Insulation Voltage	450 V acc. to EN 60998-1 [1]		
Rated Current	16 A		
Torque	0,5 Nm		
Other specifications	Rated values apply to use in combination with 322-STFS(-DS) and insulated substrates.		

## APPROVALS

	Current [A]	Voltage [V]	Group	AWG	[Nm]
	15	300	B	26 - 10	0,51 [2]
	10	300	D,E	26 - 10	0,51 [2]

## MATERIAL

Moulding	PA, natural, V-2
Comparative Tracking Index	CTI ≥ 600
Insulating Group	I
Temperature Range	-40°C up to 100°C
Terminal body	Nickel plated brass
Screw	M3; zinc plated steel, blue passivated
Wire protector	Tin plated tin bronze
Spring	Stainless steel strip

## OPTIONS / ACCESSORIES

- Marking options on and between the screw guides
- Jumper 323-J
- Leading terminal body for the protective conductor pole

[1] with insulating base

[2] for 323-STFB-DS: 26 - 12 AWG

## CONFIGURATIONS

Version	Poles	Item	Article number	Item	Article number	Length (L)	PU
Standard	2	323-STFB/02	32.822.012	323-STFB-DS/02	52.822.011	18,00 mm	430
Standard	3	323-STFB/03	33.822.012	323-STFB-DS/03	53.822.011	28,00 mm	650
Standard	4	323-STFB/04	34.822.012	323-STFB-DS/04	54.822.011	38,00 mm	870
Standard	5	323-STFB/05	35.822.012	323-STFB-DS/05	55.822.011	48,00 mm	1080
Standard	6	323-STFB/06	36.822.012	323-STFB-DS/06	56.822.011	58,00 mm	1300
Standard	7	323-STFB/07	37.822.012	323-STFB-DS/07	57.822.011	68,00 mm	1500
Standard	8	323-STFB/08	38.822.012	323-STFB-DS/08	58.822.011	78,00 mm	1700
Standard	9	323-STFB/09	39.822.012	323-STFB-DS/09	59.822.011	88,00 mm	60
Standard	10	323-STFB/10	40.822.012	323-STFB-DS/10	60.822.011	98,00 mm	50
Standard	11	323-STFB/11	41.822.012	323-STFB-DS/11	61.822.011	108,00 mm	50
Standard	12	323-STFB/12	42.822.012	323-STFB-DS/12	62.822.011	118,00 mm	50

