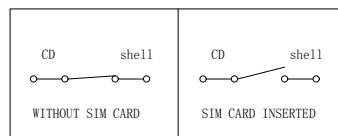
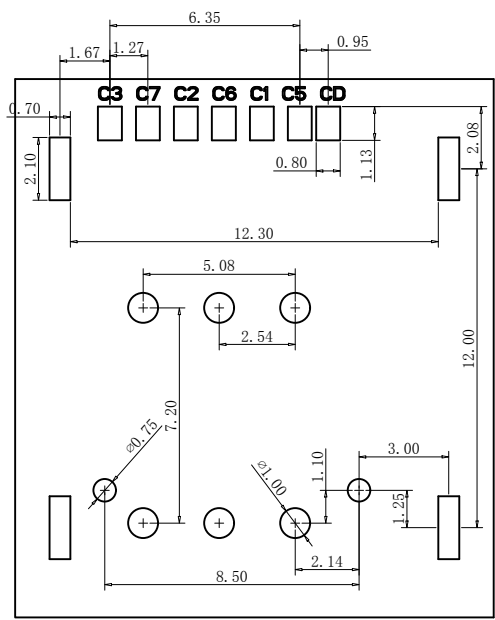
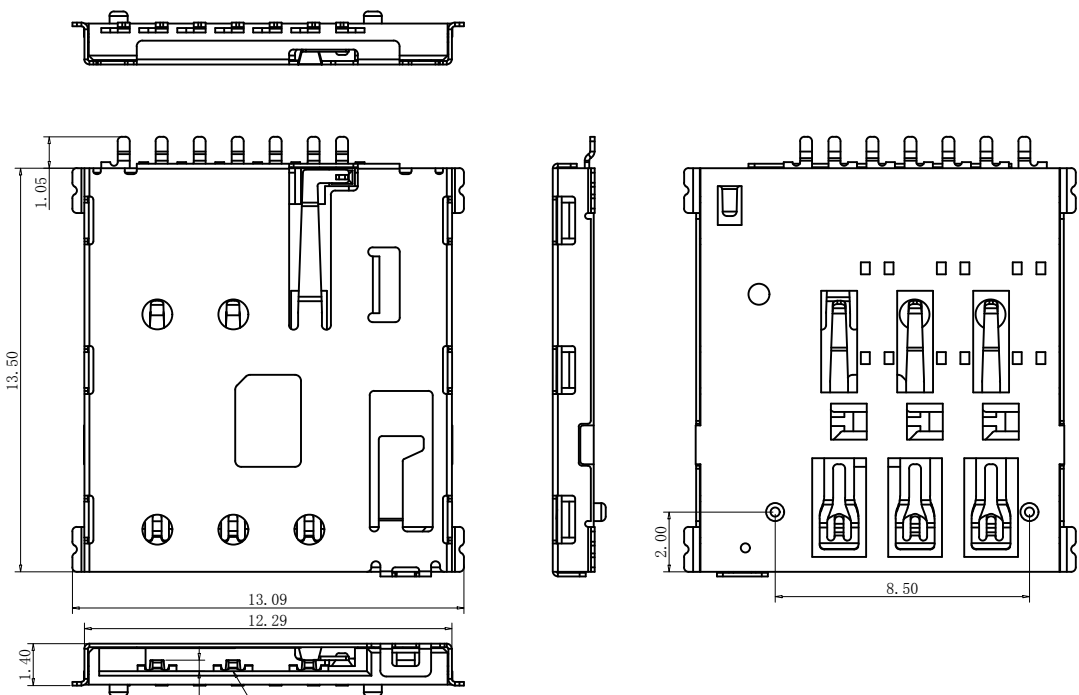


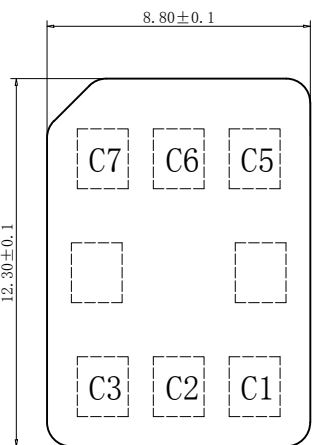
RoHS

REV	ECN NO.	DESCRIPTION	DESIGN	APPROVAL	DATE
A1	NEW	更换图框			2023.11.25

- NOTES:
- MATERIAL:
HOUSING:LCP S475 UL 94V-0
CONTACT:C5210R-H
SHELL:SUS304-H
 - FINISH:
CONTACT:GOLD FLASH PLATED ON CONTACT AREA
GOLD FLASH PLATED ON SOLDER TAILS
 - ELECTRICAL CHARACTERISTICS
RATING CURRENT : 0.5A MAX
CONTACT RESISTANCE :50 mΩ MAX
DIELECTRIC WITHSTANDING : 500V AC MIN
INSULATION RESISTANCE: 1000 MΩ MIN
 - MECHANICAL CHARACTERISTICS
MATING CYCLE :3000 CYCLES



SIM pin Assignment	
PIN#	Name
C1	VCC
C2	RST
C3	CLK
C5	GND
C6	VPP
C7	I/O



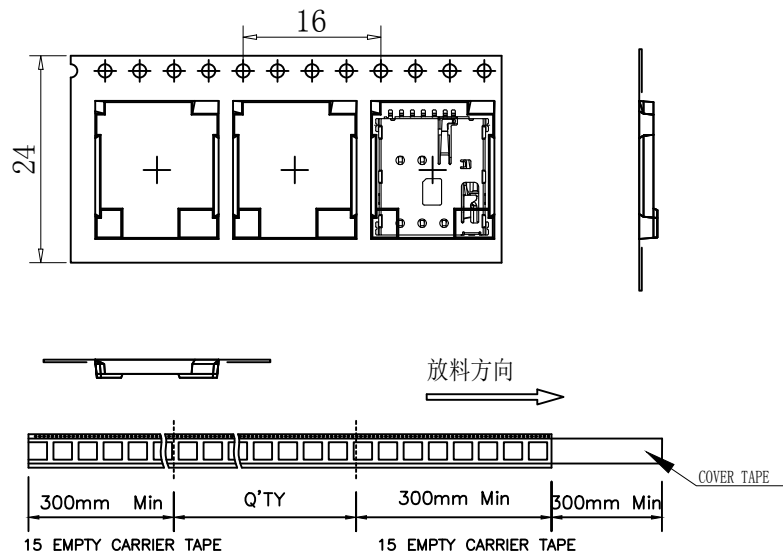
X.±0.50	X.°±
.X±0.25	.X°±
.XX±0.15	.XX°±
.XXX±0.10	.XXX°±
UNITS:	mm

THESE DRAWINGS AND SPECIFICATIONS ARE THE PROPERTY OF XFCN AND SHALL NOT BE REPRODUCED, COPIED OR CUEED IN ANY MANNER WITHOUT THE PRIOR WRITTEN CONSENT OF XFCN

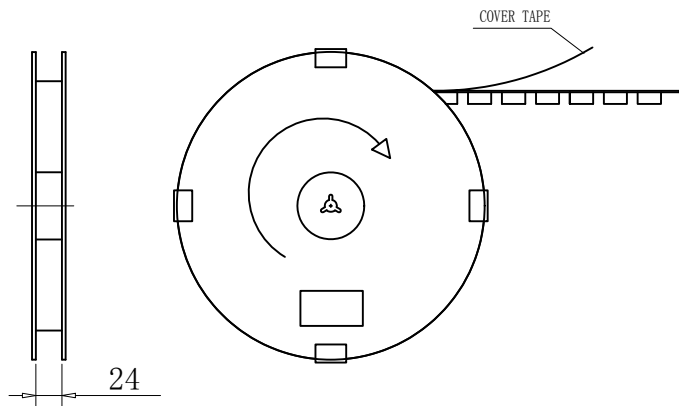
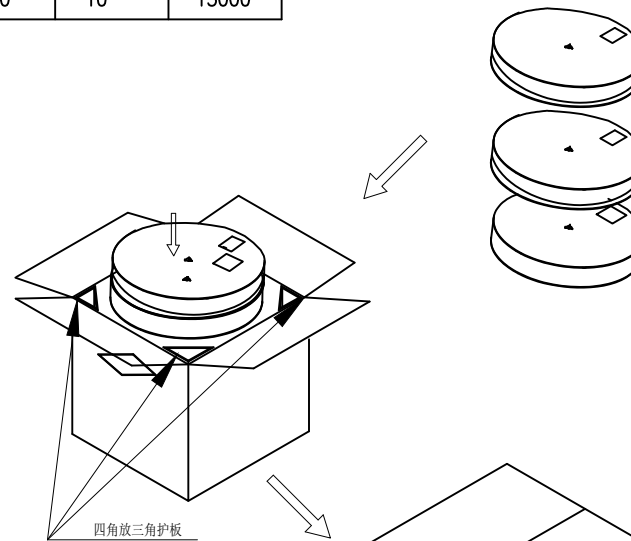
PART NO:		NOS11-S1F1-2000-A		XFCN 兴飞连接器	
TITLE:		NANO SIM PUSN 卡座			
APPD				0769-82001899	
CHKD				www.xfconn.com	
DRAW		Wang		DWG NO: /	
DATE		2024.01.20		VIEW	
				SCALE	
				SHEET	
				REV	
				1:1	
				A1	

RoHS

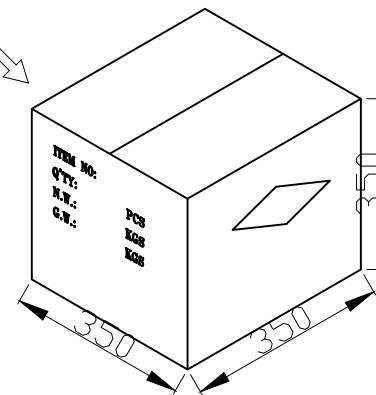
REV	ECN NO.	DESCRIPTION	DESIGN	APPROVAL	DATE
A1	NEW	更换图框			2023.11.25



QTY/REEL	REEL/CARTON	QTY/CARTON
1500	10	15000



- 1, 每盘前后空5PSC, 中间包装1500PCS
- 2, 每箱10盘, 共15000PCS。
- 3, 纸箱四角放脚柱。



X.±0.50	X.°±	PART NO: NOS11-S1F1-2000-A	XFCN 兴飞连接器		
.X±0.25	.X°±				
.XX±0.15	.XX°±	TITLE: NANO SIM PUSN 卡座	0769-82001899		
.XXX±0.10	.XXX°±		www.xfconn.com		
UNITS:	mm		DWG NO: /		
THESE DRAWINGS AND SPECIFICATIONS ARE THE PROPERTY OF XFCN AND SHALL NOT BE REPRODUCED, COPIED OR CUED IN ANY MANNER WITHOUT THE PRIOR WRITTEN CONSENT OF XFCN		APPD		VIEW	
		CHKD		SCALE	SHEET
		DRAW	Wang	NONE	REV
		DATE	2024.01.20	1:1	A1