

RoHS

REV	ECN NO.	DESCRIPTION	DESIGN	APPROVAL	DATE
A1	NEW	更换图框			2023.11.25

SPECIFICATIONS

1. Current rating: 3A AC, DC
2. Temperature range: -40°C ~ +105°C
3. Insulation resistance: 1000MΩ Min.
4. Withstanding voltage: 500V AC/ minute.
5. Contact resistance: 20mΩ Max.

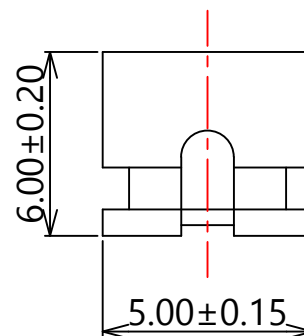
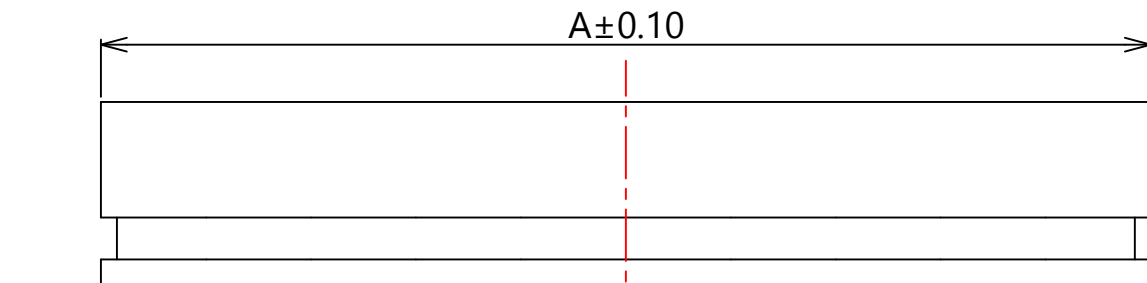
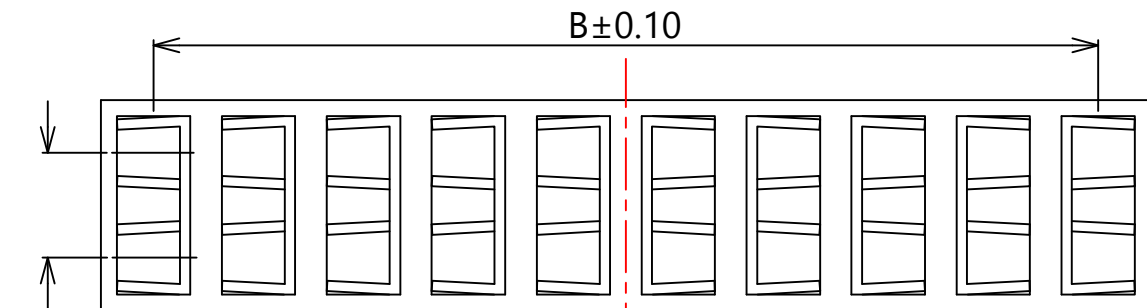
Material:

Insulator: PBT UL 94V-0 Black
 Contact: Bronze/plated Contact Gold
 Mate with XFCN PZ254 Double row series

Ordering Code:

F254D-XX-PT-B
 1 2

1. 序列号
2. Pin位数: (02-20)
 04=2连体
 08=4连体
 20=10连体



A=(NO, OF POSITION PER ROW) X2. 54X PIN
 B=(NO, OF POSITION PER ROW-1) X2. 54

X.±0.50	X.°±	PART NO: F254D-xx-PT-B	XFCN 兴飞连接器			
.X±0.25	.X°±					
.XX±0.15	.XX°±	TITLE: Mini Jumper 2.54mm Pitch H:6.00mm Open 十连体	0769-82001899			
.XXX±0.10	.XXX°±		www.xfconn.com			
UNITS:	mm		DWG NO: /			
THESE DRAWINGS AND SPECIFICATIONS ARE THE PROPERTY OF XFCN AND SHALL NOT BE REPRODUCED, COPIED OR CUED IN ANY MANNER WITHOUT THE PRIOR WRITTEN CONSENT OF XFCN		APPD		VIEW		
		CHKD		SCALE	SHEET	
		DRAW	Wang	SCALE	SHEET	REV
		DATE	2024.02.22	NONE	1:1	A1