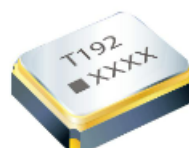


## Product Features

1. High precision and high frequency stability
2. Excellent thermal coupling between thermistor and crystal
3. Application in mobile communication
4. RoHS and REACH Compliant , Pb-free , Halogen-free
5. Industry Standard Package :  
2.5\*2.0\*1.0 mm (OZ Series)

Application :

- Smart phone
- Modem
- GPS



Test condition

Ambient temperature :  $25 \pm 5^\circ\text{C}$

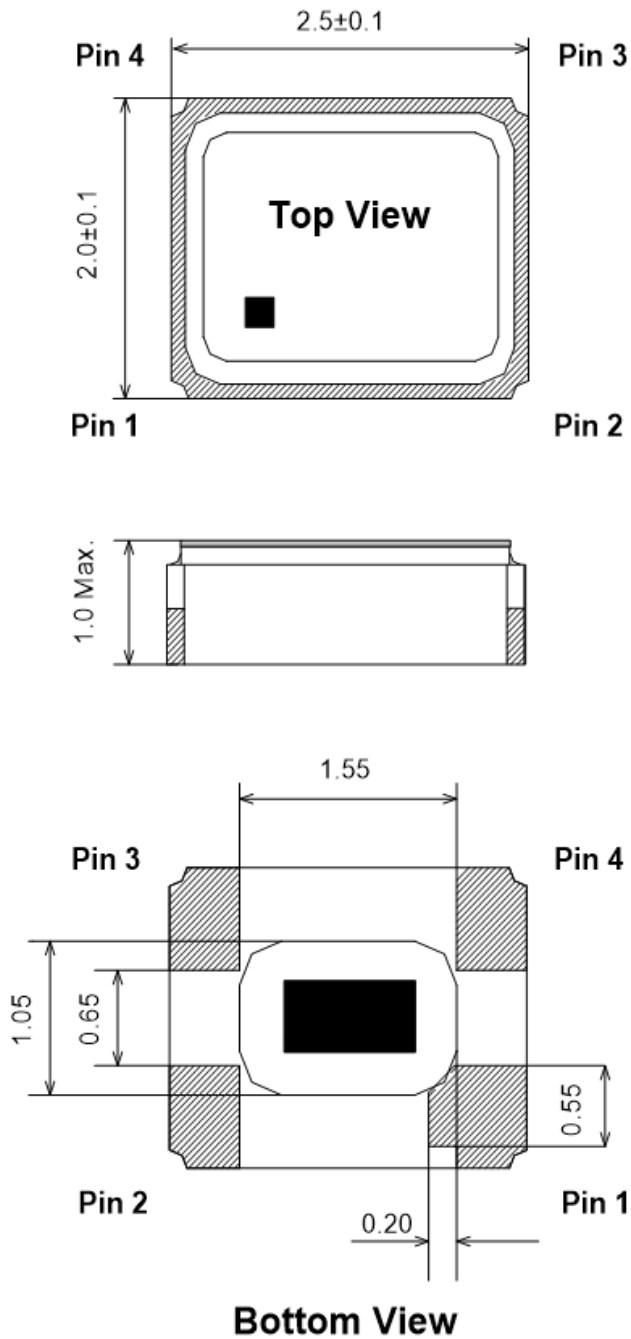
Relative humidity : 40% ~ 70%

### ● Table 1 . Electrical Specifications

Parameters	Symbol	Min.	Typ.	Max.	Units	Notes
Nominal Frequency	F	19.2 , 26			MHz	
Frequency Tolerance	FT	$\pm 10$			ppm	@ $25^\circ\text{C} \pm 3^\circ\text{C}$
Frequency Stability Over Operating Temp. Range (Reference $25^\circ\text{C}$ )	ST	$\pm 12$			ppm	@ $-30 \sim 85^\circ\text{C}$
Operating Temperature	Topr	-30	25	85	$^\circ\text{C}$	
Load Capacitance	CL	7 , 8 or specify			pF	
Drive Level	DL	-	100	200	$\mu\text{W}$	
Equivalent Series Resistance	ESR	-	-	80	Ohm	19.2MHz
		-	-	50		26MHz
Aging	-	$\pm 0.7$			ppm	1st Year
Thermistor Resistance ( $25^\circ\text{C}$ )	-	$100\text{k} \pm 1\%$			Ohm	
B-Constant ( $25-50^\circ\text{C}$ )	-	$4250 \pm 1\%$			K	The B constant is calculated using the zero-power resistance values measured at $25^\circ\text{C}$ and $50^\circ\text{C}$

Note : The table shows common spec. if you have special spec. requirement , please feel free to contact our salesperson.

■ **DIMENSIONS (Unit : mm)**



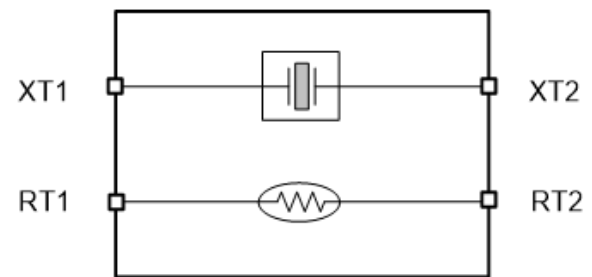
■ **PIN FUNCTION**

	Symbol	Function
Pin 1	XT1	XTAL Terminal 1
Pin 2	RT2	Thermistor Terminal 2
Pin 3	XT2	XTAL Terminal 2
Pin 4	RT1	Thermistor Terminal 1

Note:

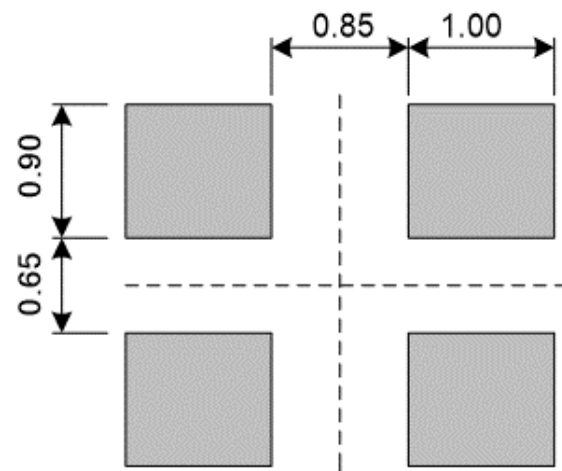
Pin 2 is connected to the metal lid and thermistor  
Pin 4 is connected to the thermistor only

■ **BLOCK DIAGRAM**



Note: RT2 shall be connected to GND is recommended

■ **SUGGESTED LAYOUT**



(Unit : mm)