

CONNECTORS

Operation: SMT 卧式 / 3.5 三段&音频插座



LTEM NO.: PJ-313D
(L14.0×W6.1×H5.0mm 3.5-PHONE-JACK)



Technical parameter

表面贴装 SMT

PROJECT	LEVEL	A[better product]		B[average product]	
Electrical Properties	Contact Rating	0.25A, 24V DC			
	Initial Contact Resistance	30mΩ max.		50mΩ max.	
	Insulation Resistance	100MΩ min.500V DC	Skey/PD: 100MΩ min.300V DC		
	Withstand Voltage	500V AC for 1 minute	350 V AC for 1 minut		
Durable Performance	There No Load	6,000 Cycles		5,000 Cycles	
	Rated Load	5,000 Cycles		4,000 Cycles	
	Storage temp.	-25℃~+75℃(Operating Temp:)			

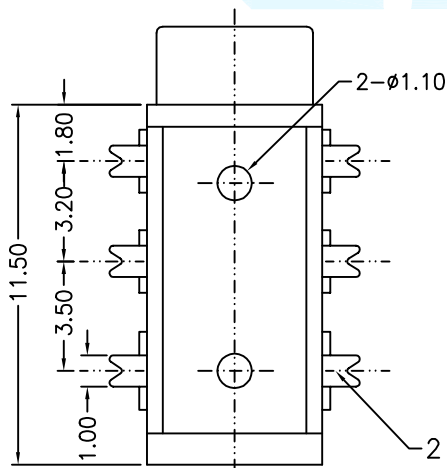
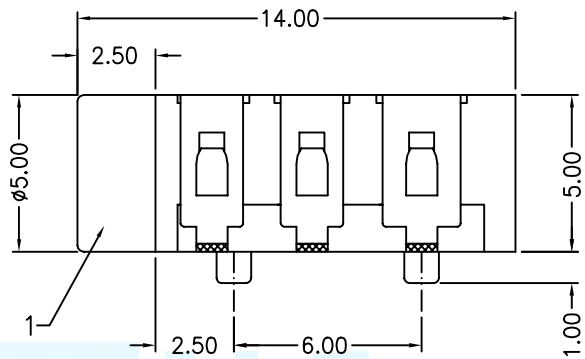
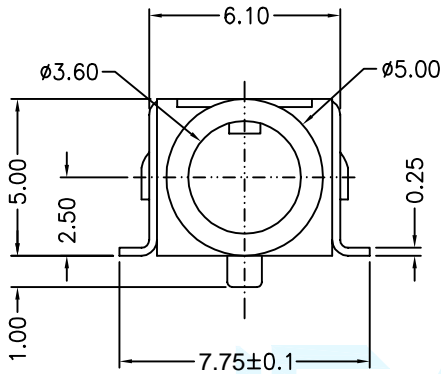
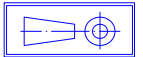
側向導入 LATERAL

精密部品 NICETY

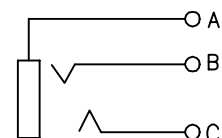
可靠 STABILIZE

適合環保 RoHS

Unit:mm



6POLE PLUG

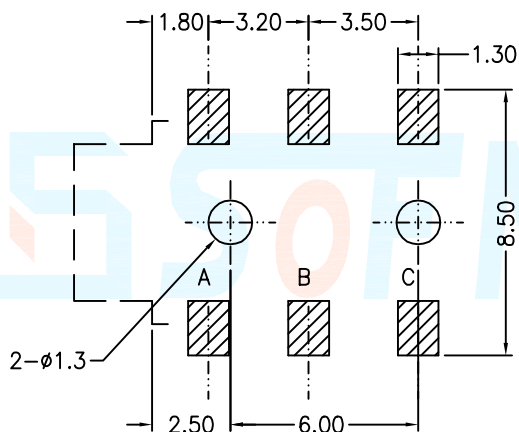


Operating Force

Inward 5.0~10.0N. (1N.=100gram-force)
 Exiting 5.0~10.0N. (1N.=100gram-force)

Solder-ability (Max.)

IR Reflow: 255°C, 5sec. Manual: 350°C, 3sec.



Pin Definition



Material declaration

No.	NAME	Type	Description
①	基座	1	PBT (Black)耐热塑胶
②	接觸端子#A	1	C5191R-H (t=0.25mm)磷铜[银基]
③	接觸端子#B	1	C5191R-H (t=0.25mm)磷铜[银基]
④	接觸端子#C	1	C5191R-H (t=0.25mm)磷铜[银基]



DECIMALS	ANGLES
.X : ±0.25	X.° : ±1.5°
.XX : ±0.15	XX.° : ±1.0°
.XXX : ±0.10	XXX.° : ±0.5°

注記 NOTICE

1. 碩方公司擁有最終解釋權; The company reserves the right of final interpretation;
2. 文件禁止外洩、轉載; Leaked and reproduced prohibited;
3. 未經授權修改無效。Modify is invalid.

本品不屬於危害性廢棄物,須丟棄時可以委託回收商予以回收再生處理。
 Products do not belong to •

運送時本產品不要直接與水、酸鹼性化學物質接觸,或放置於含有以上氣體環境中,並且需要注意會有滑落、側翻的危險發生; 運輸過程中不能有碰撞或者擠壓,須保證溫度與濕度適中 [常溫 25°C, 濕度在 50°C 以內], 不可導致材料變形或氧化。