

CONNECTORS

Operation: 14PIN Type-C(2.0+GND)连接器 拉伸式外壳



LTEM NO.: MC-337 (Series)

(L8.25×W3.60×H10.30 2.0-USB-CONNECTORS)

表面插装 DIP

正向操作

精密部品 NICETY

可靠 STABILIZE

適合環保 RoHS

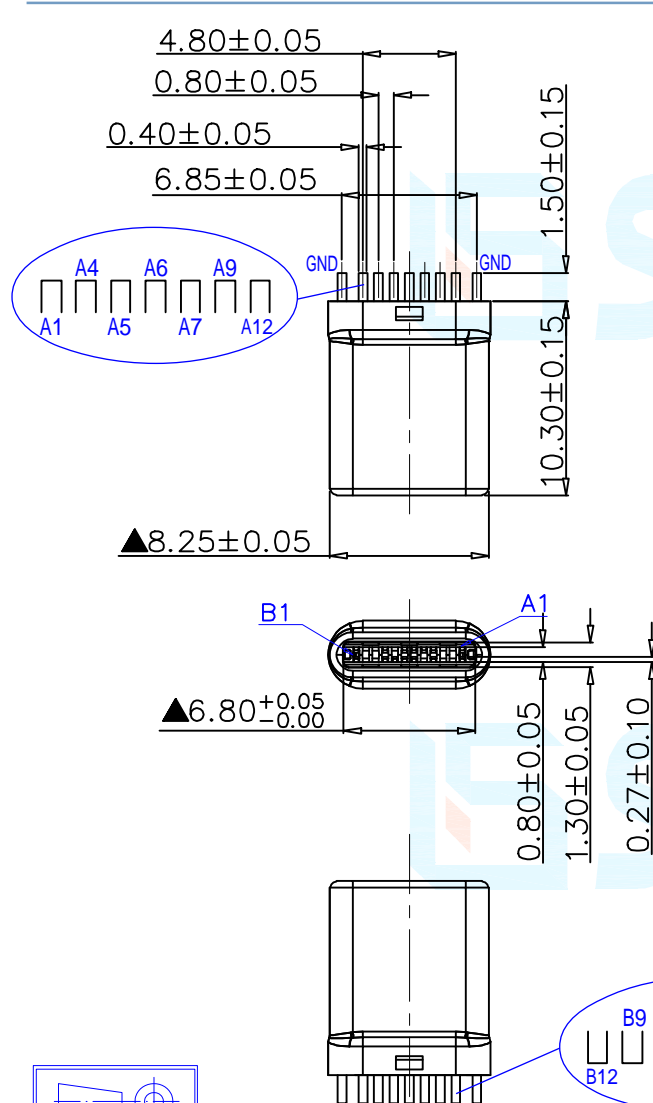


Technical parameter

PROJECT	LEVEL	A[better product]	B[average product]
Electrical	Contact Rating	3.0A, 100V AC	
	Initial Contact Resistance	100mΩ max.	
Properties	Insulation Resistance	100MΩ min.500V DC	Skey/PD: 100MΩ min.300V DC
	Withstand Voltage	500V AC for 1 minute	350 V AC for 1 minut
Durable Performance	There No Load	6,000 Cycles	5,000 Cycles
	Rated Load	5,000 Cycles	4,000 Cycles
Storage temp.		-35℃~+75℃(Operating Temp:)	
Operating Force		IF:10.ON MAX.(EF:10.ON MIN.)	
Heat Rrsistance		IR Reflow:255℃,5sec. Manual:350℃,3sec.	

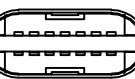
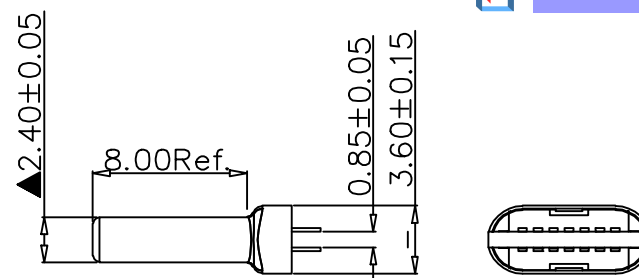
Material declaration		
No.	NAME	Description
①	接触端子	磷铜 C5191(镀金 1u" /焊尾雾锡)
②	Shell 外壳	不锈钢 SUS304R-3/4H t=0.30mm
③	接地端子	不锈钢 SUS304R-3/4H t=0.20mm
④	Body 胶芯	LCP 30%(Gray) 耐热塑胶 UL94V-0
⑤	METAL COVER	STAINLESS STEEL (t=0.20mm)

Unit:mm



PIN	Signal NAME	Description	PIN	Signal NAME	Description
A1	GND	Ground return	B12	GND	Ground return
A4	V BUS	Bus Power	B9	V BUS	Bus Power
A5	CC1	Configuration Channel	B7	Dn2	Negative half of the USB 2.0 differential pair-Position 2
A6	Dp1	Positive half of the USB 2.0 differential pair-Position 1	B6	Dp2	Positive half of the USB 2.0 differential pair-Position 2
A7	Dn1	Negative half of the USB 2.0 differential pair-Position 1	B5	CC2	Configuration Channel
A9	V BUS	Bus Power	B4	V BUS	Bus Power
A12	GND	Ground return	B1	GND	Ground return

PIN ASSIGNMENTS



DECIMALS	ANGLES
.X :±0.25	X.° :±1.5°
.XX :±0.15	XX.° :±1.0°
.XXX :±0.10	.XXX° :±0.5°