

Operation: DIP/3.5耳机插座 & 卧式插件型



LTEM NO.:PJ-321

(L14.0×W6.5×H5.0mm 3.5-PHONE-JACK)



Technical parameter

PROJECT	LEVEL	A[better product]	B[average product]
		Contact Rating	
Electrical Properties	Initial Contact Resistance	30mΩ max.	50mΩ max.
	Insulation Resistance	100MΩ min.500V DC	Skey/PD: 100MΩ min.300V DC
	Withstand Voltage	500V AC for 1 minute	350 V AC for 1 minut
Durable Performance	There No Load	6,000 Cycles	5,000 Cycles
	Rated Load	5,000 Cycles	4,000 Cycles
	Storage temp.	-25℃~+75℃(Operating Temp:)	

贴片安装 SMT

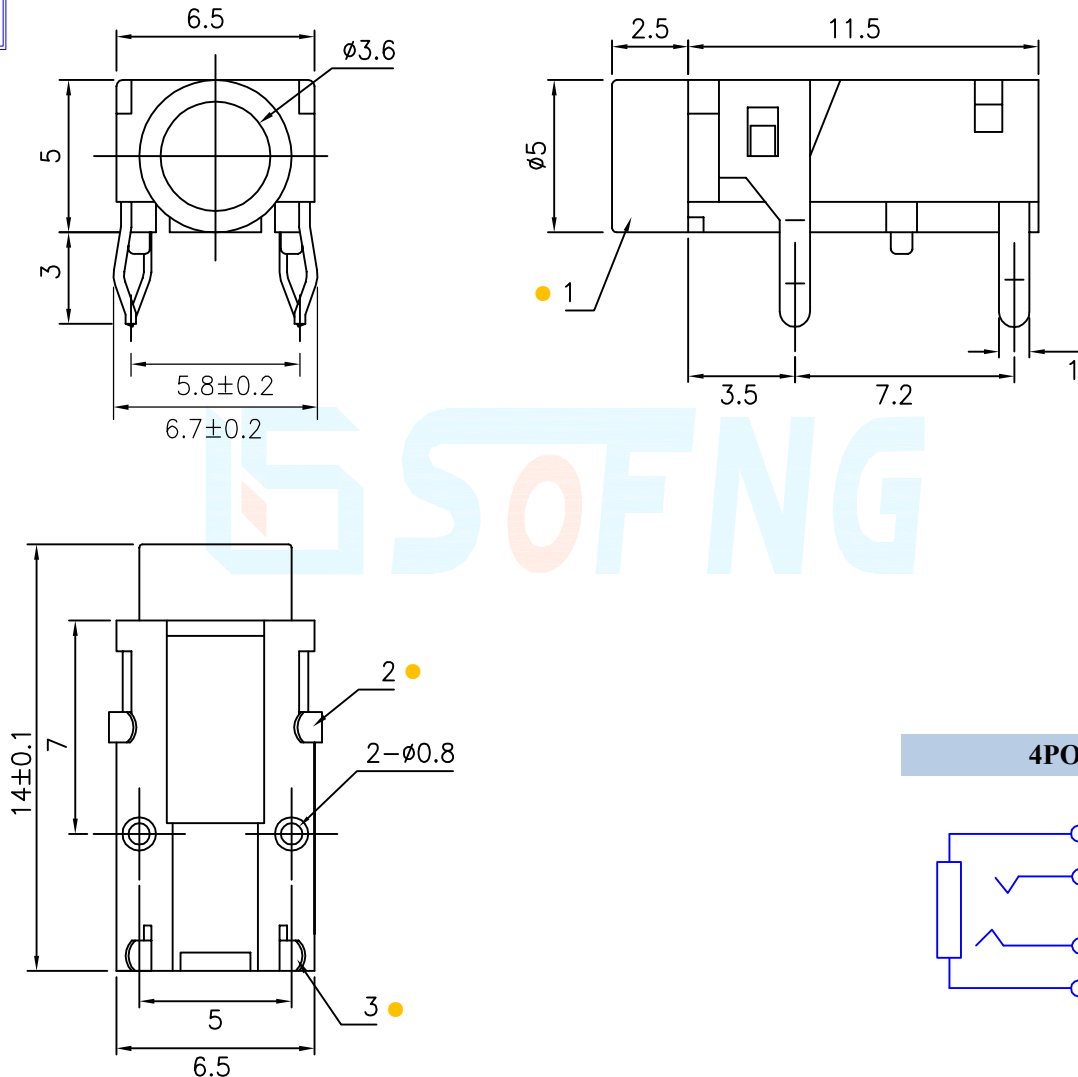
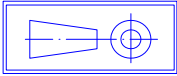
側向導入 LATERAL

精密部品 NICETY

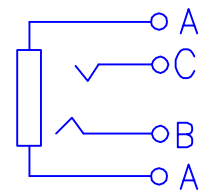
可靠 STABILIZE

適合環保 RoHS

Unit:mm



4POLE PLUG



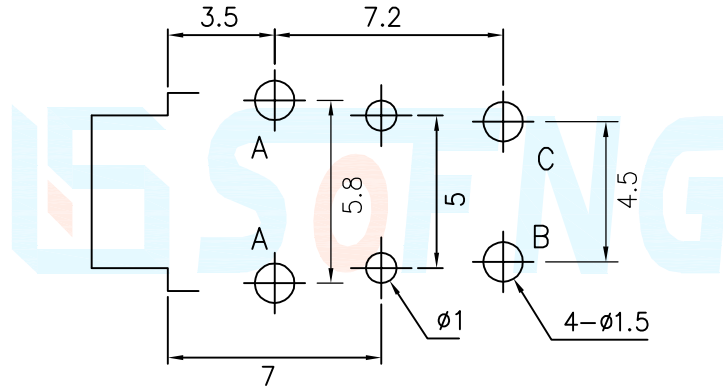
Operating Force

Inward
Exiting

5.0~8.0N. (1N.=100gram-force)
5.0~8.0N. (1N.=100gram-force)

Solder-ability (Max.)

Manual : 350°C, 3sec.



Pin Definition



Material declaration

No.	NAME	Type	Description
①	接觸端子#1	1	C5191R-H (t=0.20mm) 磷銅[銀基]
②	接觸端子#2	1	C5191R-H (t=0.30mm) 磷銅[銀基]
④	基座	1	PA66/PBT (Black) 耐热塑胶



本品不屬於危害性廢棄物,須丟棄時可以委託回收商予以回收再生處理。
Products do not belong to •

注記 NOTICE

1. 碩方公司擁有最終解釋權; The company reserves the right of final interpretation;
2. 文件禁止外洩、轉載; Leaked and reproduced prohibited;
3. 未經授權修改無效。Modify is invalid.

運送時本產品不要直接與水、酸鹼性化學物質接觸,或放置於含有以上氣體環境中,並且需要注意會有滑落、側翻的危險發生; 運輸過程中不能有碰撞或者擠壓,須保證溫度與濕度適中 [常溫 25°C, 濕度在 50°C 以內], 不可導致材料變形或氧化。