

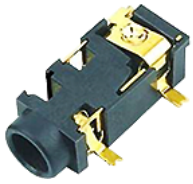
Operation: SMT/3.5&贴片三段卧式 5PIN 音频插座



LTEM NO.: PJ-327A

(L14.1×W6.0×H5.0mm 3.5-PHONE-JACK)

PHONE-JACK



Technical parameter

PROJECT	LEVEL	A[better product]		B[average product]	
Electrical Properties	Contact Rating	0.25A, 12V DC			
	Initial Contact Resistance	30mΩ max.		50mΩ max.	
	Insulation Resistance	100MΩ min. 500V DC	Skey/PD: 100MΩ min. 300V DC		
	Withstand Voltage	500V AC for 1 minute	350 V AC for 1 minut		
Durable Performance	There No Load	6,000 Cycles		5,000 Cycles	
	Rated Load	5,000 Cycles		4,000 Cycles	
Storage temp.		-35℃~+75℃(Operating Temp:)			

表面贴装 SMT

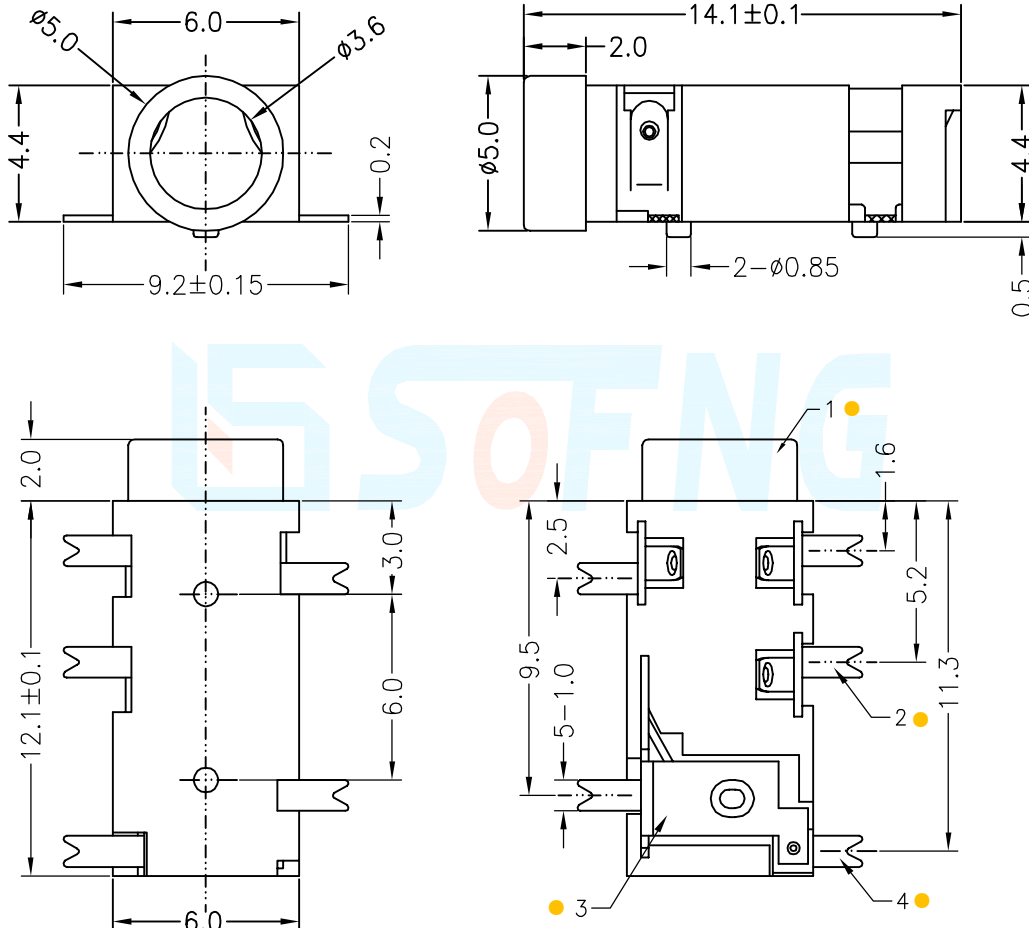
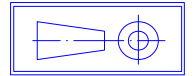
侧向导入 LATERAL

精密部品 NICETY

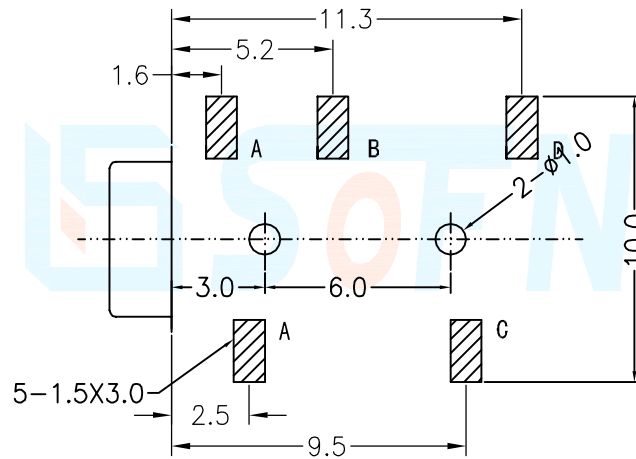
可靠 STABILIZE

适合环保 RoHS

Unit:mm



Operating Force	Inward	5.0~8.0N. (1N.=100gram-force)	Solder-ability (Max.)	245°C
	Exiting	5.0~8.0N. (1N.=100gram-force)		Manual: 350°C, 3sec.



Pin Definition

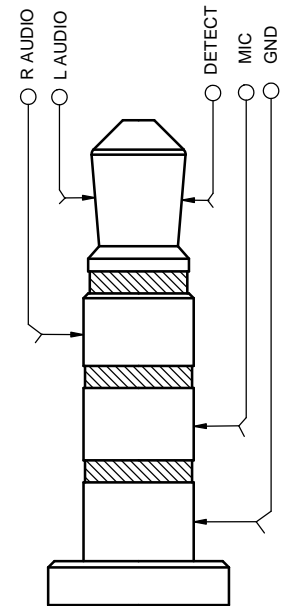


Material declaration

No.	NAME	Type	Description
①	基座	1	PPA/PA6T (Black)耐热塑胶
②	接觸端子#1/2/3	1	C5191R-H (t=0.20mm)磷铜[银基]
③	动态端子	1	SUS-304 (t=0.20mm)不锈钢
④	静态端子	1	H62 (t=0.20mm)黄铜[银基]

Model No	PJ-327A	PJ-327A-1	PJ-327A-2	PJ-327A-3
Schematic				
Model No	PJ-327A-4	PJ-327A-5		
Schematic				

5POLE PLUG



本品不屬於危害性廢棄物,須丟棄時可以委託回收商予以回收再生處理。
Products do not belong to •

注記 NOTICE

1. 碩方公司擁有最終解釋權; The company reserves the right of final interpretation;
2. 文件禁止外洩、轉載; Leaked and reproduced prohibited;
3. 未經授權修改無效。Modify is invalid.

運送時本產品不要直接與水、酸鹼性化學物質接觸,或放置於含有以上氣體環境中,並且需要注意會有滑落、側翻的危險發生; 運輸過程中不能有碰撞或者擠壓,須保證溫度與濕度適中 [常溫 25°C, 濕度在 50°C 以內], 不可導致材料變形或氧化。