

Operation: SMT/3.5&贴片式音频插座/带开关功能



LTEM NO.: PJ-342-2C
(L14.0×W6.4×H4.5mm 3.5-PHONE-JACK)



Technical parameter

PROJECT	LEVEL	A[better product]		B[average product]	
Electrical Properties	Contact Rating	25mA, 24V DC			
	Initial Contact Resistance	30mΩ max.		50mΩ max.	
	Insulation Resistance	100MΩ min.500V DC	Skey/PD: 100MΩ min.300V DC		
	Withstand Voltage	500V AC for 1 minute	350 V AC for 1 minut		
	Durable Performance	There No Load	6,000 Cycles		5,000 Cycles
Rated Load		5,000 Cycles		4,000 Cycles	
Storage temp.		-25℃~+75℃(Operating Temp:)			

贴片安装 SMT

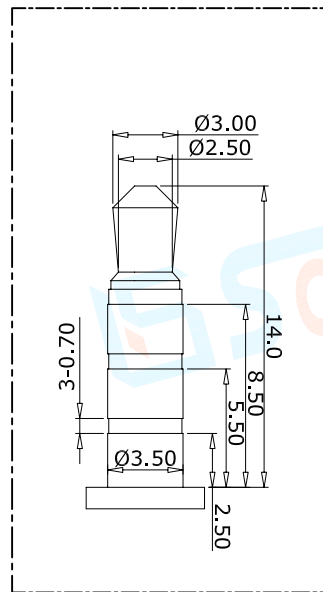
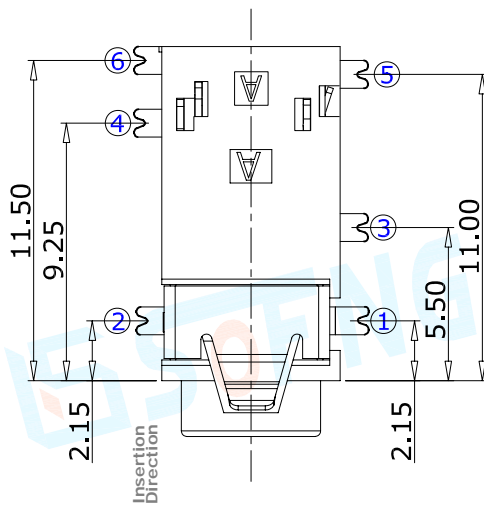
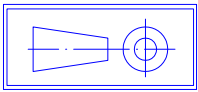
側向導入 LATERAL

精密部品 NICETY

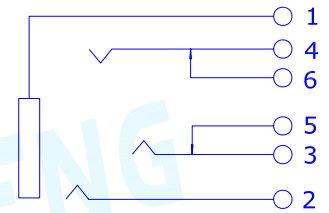
可靠 STABILIZE

適合環保 RoHS

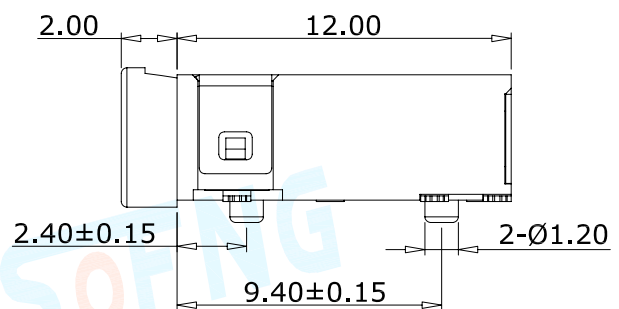
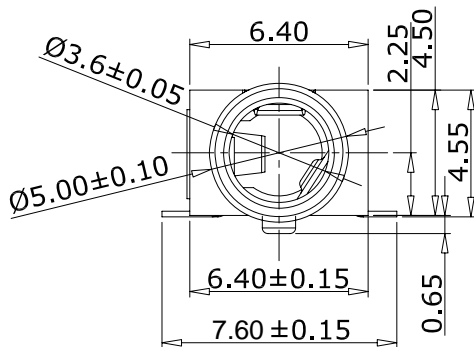
Unit:mm



6POLE PLUG



(Ø3.50mm 4 POLE PLUG DETAIL DRAWING)

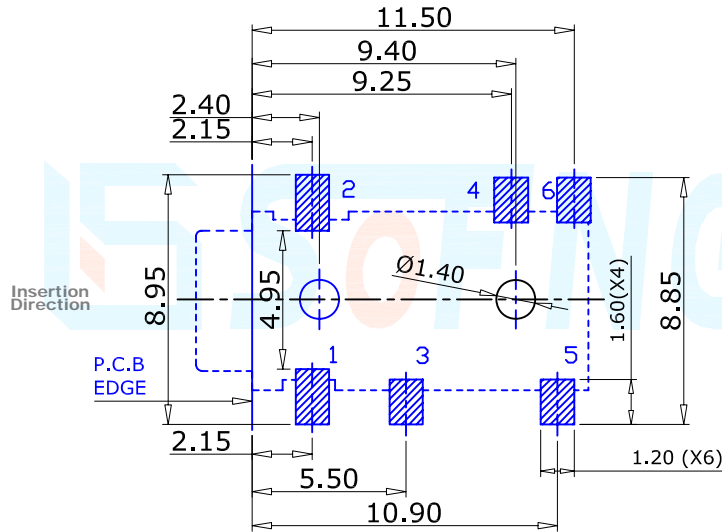


Operating Force

Inward 5.0~12.0N. (1N.=100gram-force)
 Exiting 5.0~12.0N. (1N.=100gram-force)

Solder-ability (Max.)

IR Reflow: 255°C, 5sec. Manual: 350°C, 3sec.



Pin Definition

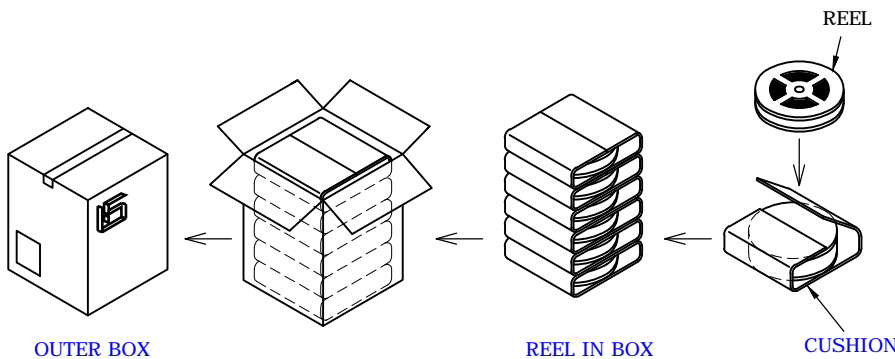


Material declaration

No.	NAME	Type	Description
①	接觸端子#1	1	C5191R-H (t=0.20mm) 磷銅[銀基]
②	接觸端子#2	1	C5191R-H (t=0.20mm) 磷銅[銀基]
③	接觸端子#3	1	C5191R-H (t=0.20mm) 磷銅[銀基]
④	接觸端子#4	1	C5191R-H (t=0.20mm) 磷銅[銀基]
⑤	接觸端子#5	1	C5191R-H (t=0.20mm) 磷銅[銀基]
⑥	接觸端子#6	1	C5191R-H (t=0.20mm) 磷銅[銀基]
⑦	基座	1	PA9T (Black) 耐熱塑膠



UNLESS OTHERWISE SPECIFIED TOLERANCES		
X.	+/-	METRIC 0.35
.X	+/-	0.25
.XX	+/-	0.25
FRACTIONS +/-		
ANGLES +/-		2.00°
DIMENSIONS		
(METRIC)	(MM)	



本品不屬於危害性廢棄物,須丟棄時可以委託回收商予以回收再生處理。
 Products do not belong to •

注記 NOTICE

1. 碩方公司擁有最終解釋權; The company reserves the right of final interpretation;
2. 文件禁止外洩、轉載; Leaked and reproduced prohibited;
3. 未經授權修改無效。Modify is invalid.

運送時本產品不要直接與水、酸鹼性化學物質接觸,或放置於含有以上氣體環境中,並且需要注意會有滑落、側翻的危險發生; 運輸過程中不能有碰撞或者擠壓,須保證溫度與濕度適中 [常溫 25°C, 濕度在 50°C 以內], 不可導致材料變形或氧化。