

## Operation: DIP/3.5&插件式音頻插座



LTEM NO.:PJ-313

(L14.0×W6.1×H5.0mm 3.5-PHONE-JACK)



### Technical parameter

PROJECT	LEVEL	A[better product]		B[average product]	
	Contact Rating	25mA, 24V DC			
<b>Electrical Properties</b>	Initial Contact Resistance	30mΩ max.		50mΩ max.	
	Insulation Resistance	100MΩ min.500V DC	Skey/PD: 100MΩ min.300V DC		
	Withstand Voltage	500V AC for 1 minute	350 V AC for 1 minut		
<b>Durable Performance</b>	There No Load	6,000 Cycles		5,000 Cycles	
	Rated Load	5,000 Cycles		4,000 Cycles	
	Storage temp.	-25℃~+75℃(Operating Temp: )			

表面插装 DIP

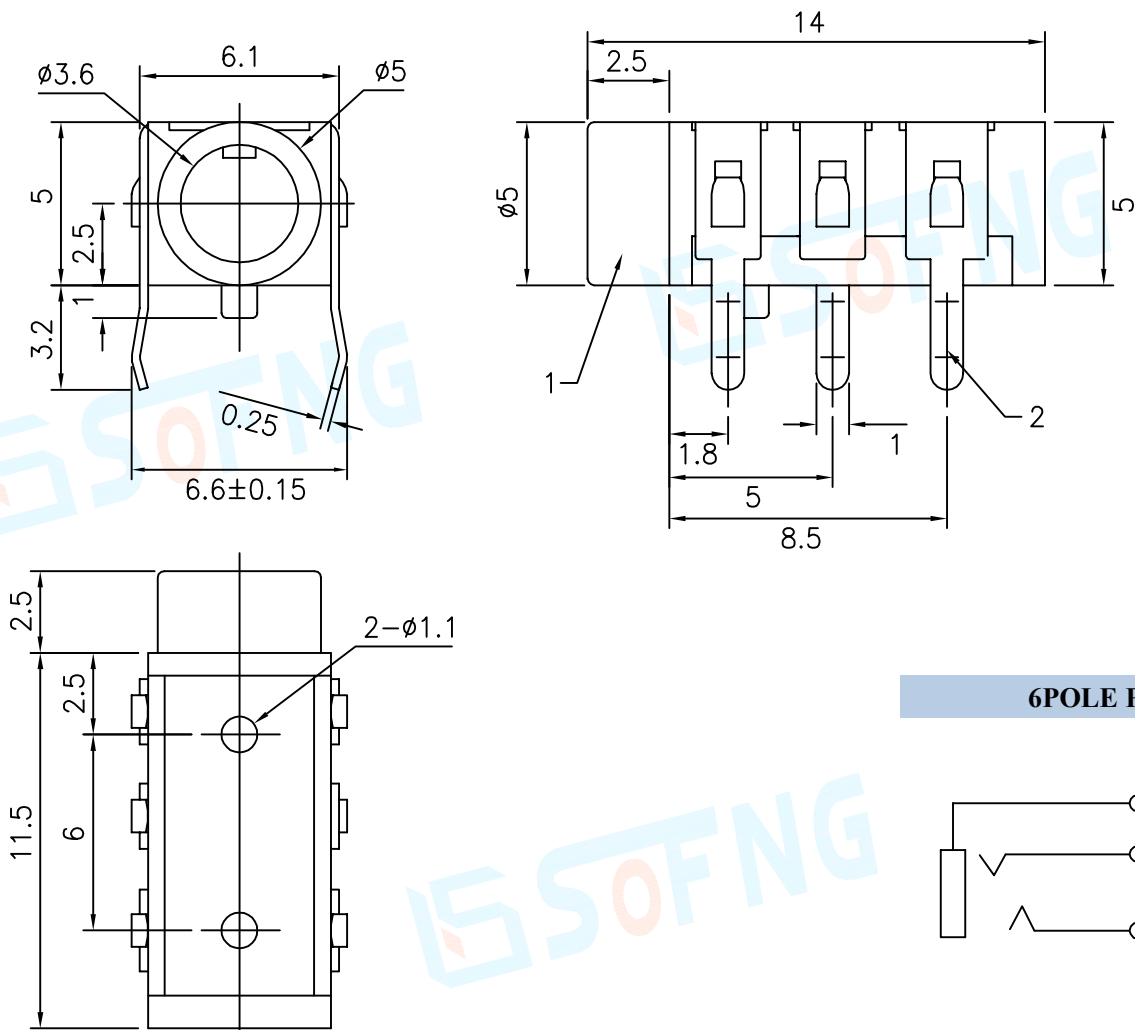
側向導入 LATERAL

精密部品 NICETY

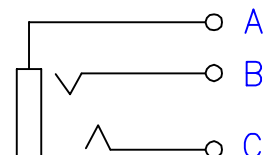
可靠 STABILIZE

適合環保 RoHS

Unit:mm



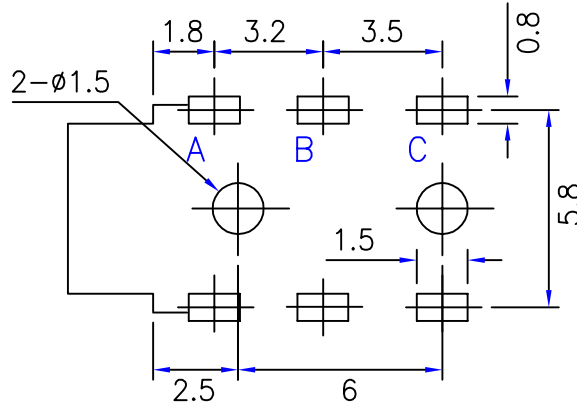
6POLE PLUG



Operating Force

Inward  
Exiting

5.0N~10.0N(grams)  
5.0N~10.0N(grams)



Pin Definition



Material declaration

No.	NAME	Type	Description
①	接觸端子#1	1	C5191R-H (t=0.25mm) 磷銅[銀基]
②	接觸端子#2	1	C5191R-H (t=0.25mm) 磷銅[銀基]
③	接觸端子#3	1	C5191R-H (t=0.25mm) 磷銅[銀基]
④	接觸端子#4	1	C5191R-H (t=0.25mm) 磷銅[銀基]
⑤	接觸端子#5	1	C5191R-H (t=0.25mm) 磷銅[銀基]
⑥	接觸端子#6	1	C5191R-H (t=0.25mm) 磷銅[銀基]
⑦	基座	1	PBT (Black) 耐热塑胶



本品不屬於危害性廢棄物,須丟棄時可以委託回收商予以回收再生處理。  
Products do not belong to •

注記 NOTICE

1. 碩方公司擁有最終解釋權; The company reserves the right of final interpretation;
2. 文件禁止外洩、轉載; Leaked and reproduced prohibited;
3. 未經授權修改無效。Modify is invalid.

運送時本產品不要直接與水、酸鹼性化學物質接觸,或放置於含有以上氣體環境中,並且需要注意會有滑落、側翻的危險發生; 運輸過程中不能有碰撞或者擠壓,須保證溫度與濕度適中[常溫 25℃,濕度在 50℃以內],不可導致材料變形或氧化。