

Operation: DIP/卧式 3.5 中型 耳机/音频连接器



LTEM NO.: PJ-339

(L17.3×W10.0×H10.7mm 3.5-PHONE-JACK)



Technical parameter

PROJECT	LEVEL	A[better product]		B[average product]	
		Contact Rating		0.5A, 24V DC	
Electrical Properties	Initial Contact Resistance	30mΩ max.		50mΩ max.	
	Insulation Resistance	100MΩ min.500V DC	Skey/PD: 100MΩ min.300V DC		
	Withstand Voltage	500V AC for 1 minute	350 V AC for 1 minut		
Durable Performance	There No Load	6,000 Cycles		5,000 Cycles	
	Rated Load	5,000 Cycles		4,000 Cycles	
Storage temp.		-25℃~+75℃(Operating Temp:)			

插件卧式

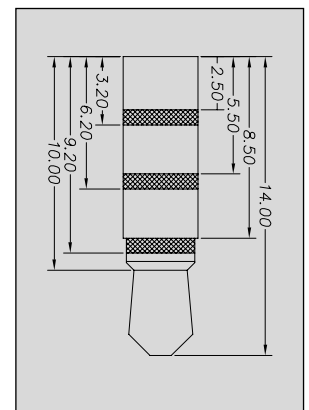
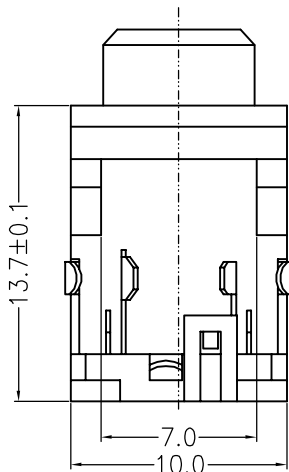
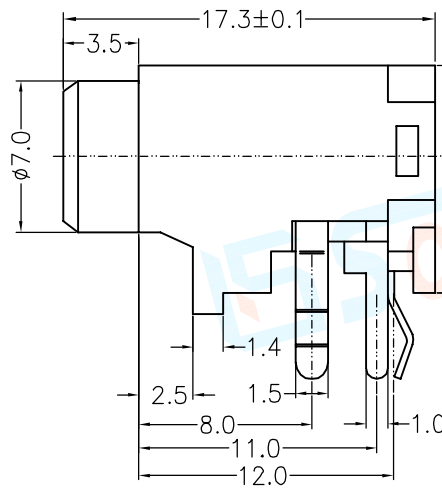
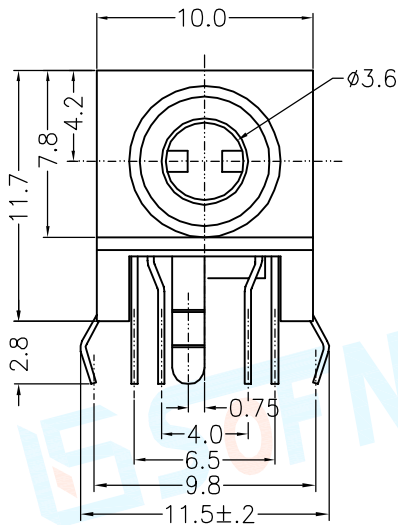
側向導入 LATERAL

精密部品 NICETY

可靠 STABILIZE

適合環保 RoHS

Unit:mm



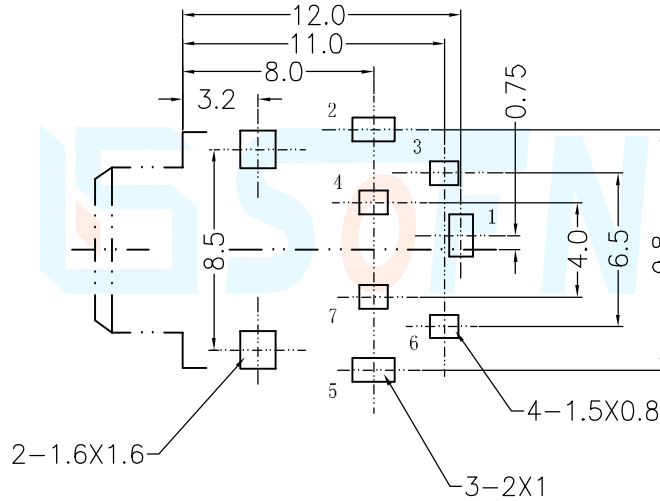
Model No	PJ-339	PJ-339-1	PJ-339-2	PJ-339-3
Schematic				

Operating Force

Inward 5.0~8.0N. (1N.=100gram-force)
 Exiting 5.0~8.0N. (1N.=100gram-force)

Solder-ability (Max.)

Manual : 350°C, 3sec.



Pin Definition



Material declaration

No.	NAME	Type	Description
①	基座	1	PA66 (Black)耐热塑胶
②	后盖	1	POM (Black)耐热塑胶
③	接地端子#1	1	C5191R-H (t=0.20mm)磷铜[镍基镀银]
④	动态端子#2	2	BE-CU (t=0.25mm)铍青铜[镍基镀银]
⑤	静态端子#3	2	C5191R-H (t=0.30mm)磷铜[银基镀镍]
⑥	声道端子#4	2	C5191R-H (t=0.30mm)磷铜[镍基镀银]



DECIMALS	ANGLES
.X :±0.25	X.° :±1.5°
.XX :±0.15	X.X° :±1.0°
.XXX :±0.10	.XXX° :±0.5°

注記 NOTICE

1. 碩方公司擁有最終解釋權; The company reserves the right of final interpretation;
2. 文件禁止外洩、轉載; Leaked and reproduced prohibited;
3. 未經授權修改無效。Modify is invalid.

本品不屬於危害性廢棄物,須丟棄時可以委託回收商予以回收再生處理。
 Products do not belong to •

運送時本產品不要直接與水、酸鹼性化學物質接觸,或放置於含有以上氣體環境中,並且需要注意會有滑落、側翻的危險發生; 運輸過程中不能有碰撞或者擠壓,須保證溫度與濕度適中 [常溫 25°C, 濕度在 50°C 以內], 不可導致材料變形或氧化。