

Operation: SMT & 5PIN 侧贴板式 0.5A/电源连接器



LTEM NO.: DC-092

(L9.0×W6.0×H4.7 DC-POWER-SOCKETS)

DC-POWER-SOCKETS



Technical parameter

PROJECT	LEVEL	A[better product]	B[average product]
	Contact Rating	0.5A, 30V DC	
Electrical Properties	Initial Contact Resistance	30mΩ max.	50mΩ max.
	Insulation Resistance	100MΩ min.500V DC	Skey/PD: 100MΩ min.300V DC
	Withstand Voltage	500V AC for 1 minute	350 V AC for 1 minut
Durable Performance	There No Load	6,000 Cycles	5,000 Cycles
	Rated Load	5,000 Cycles	4,000 Cycles
	Storage temp.	-25℃~+75℃(Operating Temp:)	

贴片封装 SMT

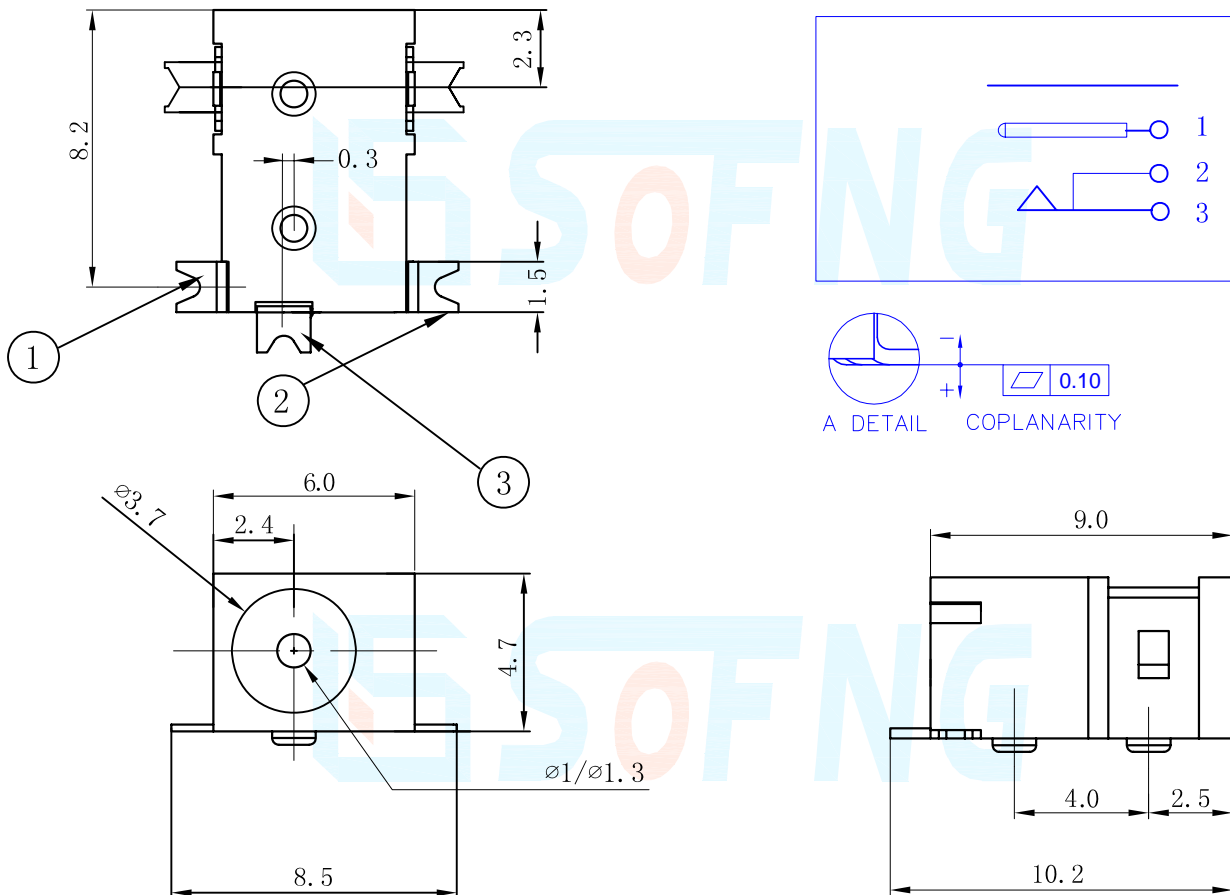
侧向导入 LATERAL

精密部品 NICETY

可靠 STABILIZE

适合环保 RoHS

Unit:mm



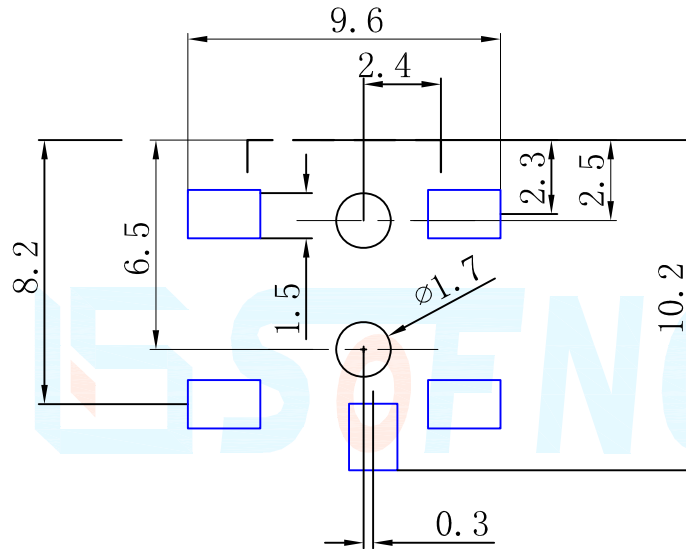
Operating Force

Inward
Exiting

3.0~5.0N. (1N.=100gram-force)
3.0~5.0N. (1N.=100gram-force)

Solder-ability (Max.)

IR Reflow:245°C, 5sec. Manual:330°C, 3sec.

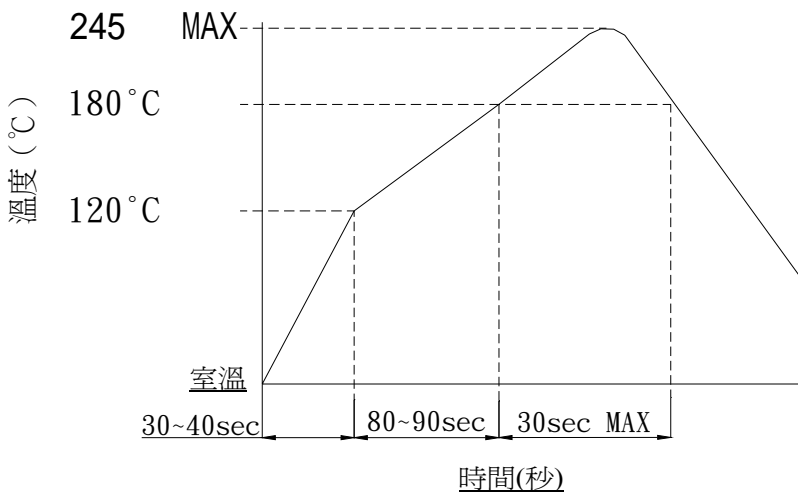
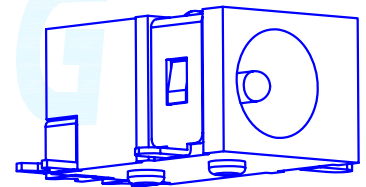


Pin Definition



Material declaration

No.	NAME	Type	Description
① A	基座 CASE	1	耐热尼龙 PPA
② B	动态端子 Moving Ccontact	1	H62 黄铜带 BRASS[镀银]t=0.25mm
③ C	芯针 AXIS SUPPORT	1	H62 黄铜棒 BRASS[镀锡]
④ D	静态端子 Moving Ccontact	1	H62 黄铜带 BRASS[镀银]t=0.20mm
⑤ E	簧片 Ccontact	1	QSn6.5-0.1 锡青铜带[镀银]t=0.30mm
⑥ F	平片 FLAT PIECE	1	H62 黄铜带 BRASS[镀银]t=0.20mm



本品不屬於危害性廢棄物,須丟棄時可以委託回收商予以回收再生處理。
Products do not belong to

運送時本產品不要直接與水、酸鹼性化學物質接觸,或放置於含有以上氣體環境中,並且需要注意會有滑落、側翻的危險發生;運輸過程中不能有碰撞或者擠壓,須保證溫度與濕度適中[常溫 25°C,濕度在 50°C 以內],不可導致材料變形或氧化。

注記 NOTICE

1. 碩方公司擁有最終解釋權; The company reserves the right of final interpretation;
2. 文件禁止外洩、轉載; Leaked and reproduced prohibited;
3. 未經授權修改無效。Modify is invalid.