

Operation: DIP/卧式 2.5Ø小型 三段音频连接器



LTEM NO.: PJ-210 (Series)

(L10.8×W5.0×H5.0 2.5 PHONE-JACK)

插件卧式

側向操作

精密部品

金属导圈

適合環保 RoHS

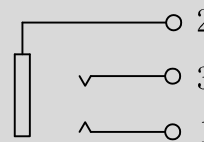


Technical parameter

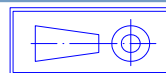
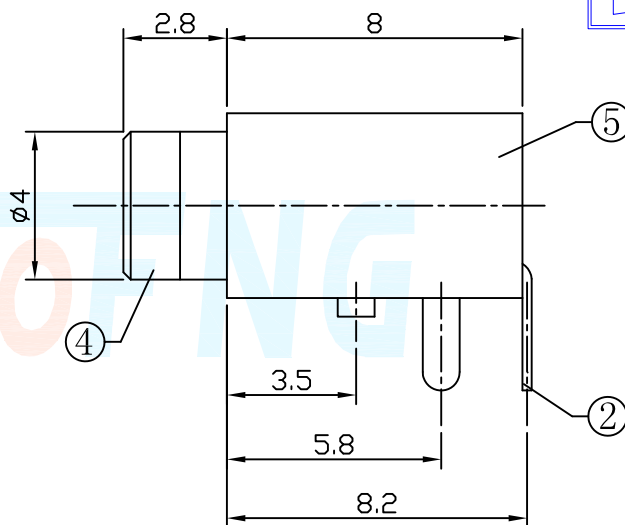
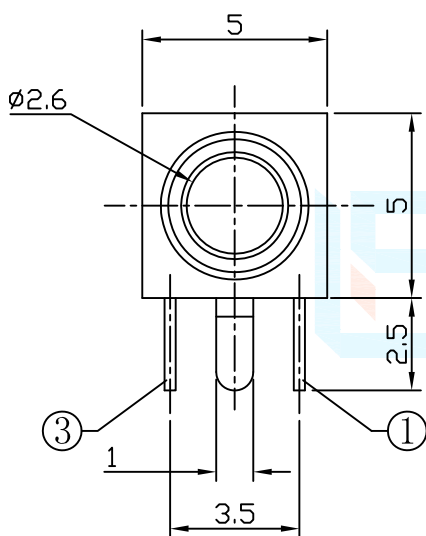
PROJECT	LEVEL	A[better product]	B[average product]
Electrical	Contact Rating	0.5A, 24V DC	
	Initial Contact Resistance	50mΩ max.	
Properties	Insulation Resistance	100MΩ min.500V DC	Skey/PD: 100MΩ min.300V DC
	Withstand Voltage	500V AC for 1 minute	350 V AC for 1 minut
Durable Performance	There No Load	6,000 Cycles	5,000 Cycles
	Rated Load	5,000 Cycles	4,000 Cycles
	Storage temp.	-35℃~+75℃(Operating Temp:)	
	Operating Force	IF:5~15N MAX. (EF:10.0N MIN.)	
	Heat Rrsistance	225℃, 5sec. Manual: 350℃, 3sec.	

Material declaration		
No	NAME	Description
①	接觸端子#2	C5191R-H (t=0.20mm)磷銅[鍍基銀]
②	接觸端子#3	C5191R-H (t=0.20mm)磷銅[鍍基銀]
③	接觸端子#4	C5191R-H (t=0.20mm)磷銅[鍍基銀]
④	導圈	H59 黃銅 (Ni-Plating)
⑤	基座	PA66 (Black)耐熱塑膠

CIRCUIT DIAGRAM



Unit:mm



P.C.B LAYOUT

