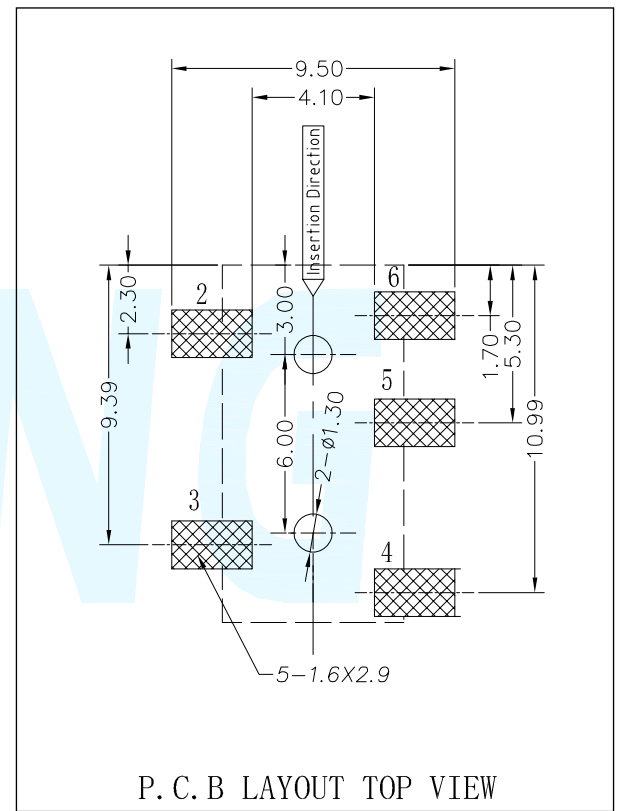
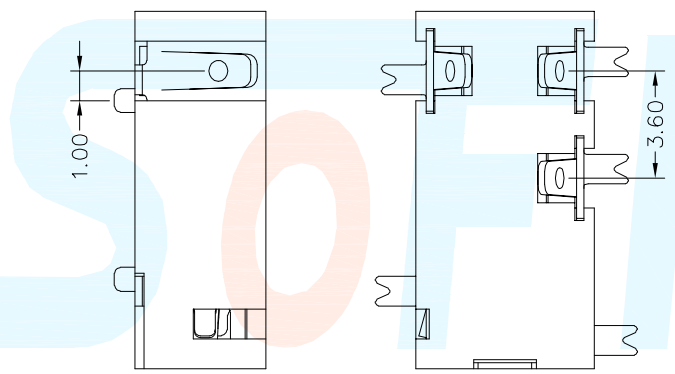
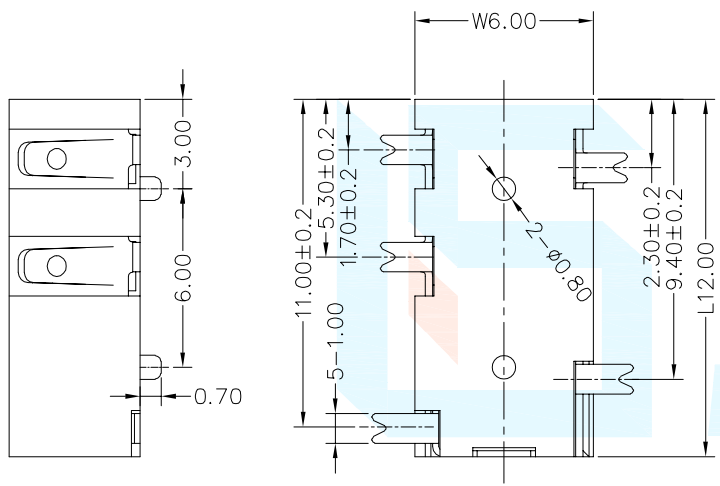
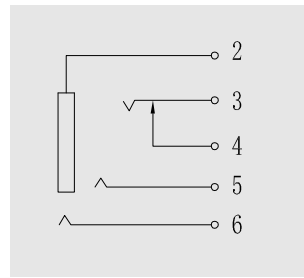
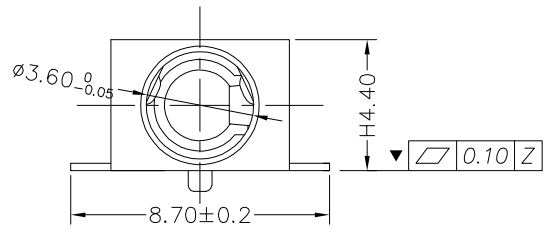
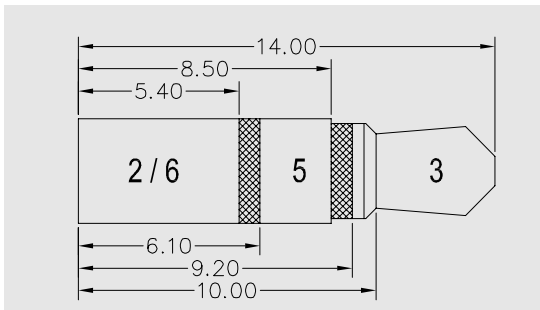
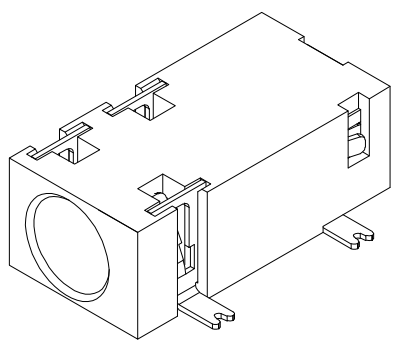


REVISION			
LTR	DESCRIPTION	DATE	APP
A0	NEW RELEASE	05/20/2020	PECK



P. C. B LAYOUT TOP VIEW



Material declaration			
No.	NAME	Type	Description
①	基座	1	PPA/PA6T (Black)耐热塑胶
②	接觸端子#1/2/3	1	C5191R-H (t=0.20mm)磷铜[银基]
③	动态端子	1	SUS-304 (t=0.20mm)不锈钢
④	静态端子	1	H62 (t=0.20mm)黄铜[银基]

DIMENSION CLASSIFICATION		台灣碩方精密電子科技有限公司		TAIWAN SOFNG PRECISION ELECTRONIC CO., LTD		SOFNG	
■ : CRITICAL		TITLE		PJ-327B无头卧贴式		開關, 連接器	
☒ : MAJOR		TOLERANCE TABLE		三段带检测3.5耳机插座		SOFNG	
.X	± 0.40	PART NO.	SOF-PJ-327B-0000		SERIES	SD106	
.XX	± 0.25	APPROVED	Peck	DWG NO.	SOF-G006		
.XXX	± 0.10	CHECKED	Paul	SCALE	1:1	UNIT	mm
ANGLE	± 2°	DRAWIN	David	REV	AO	SHEET NO.	1/1