

Operation: SMT/3.5&贴片式音频插座



LTEM NO.: PJ-320B
(L14.0×W6.0×H5.0mm 3.5-PHONE-JACK)



Technical parameter

PROJECT	LEVEL	A[better product]	B[average product]
		Electrical Properties Contact Rating Initial Contact Resistance Insulation Resistance Withstand Voltage There No Load Rated Load Storage temp.	25mA, 24V DC 30mΩ max. 100MΩ min.500V DC 500V AC for 1 minute 6,000 Cycles 5,000 Cycles -25℃~+75℃(Operating Temp:)

贴片安装 SMT

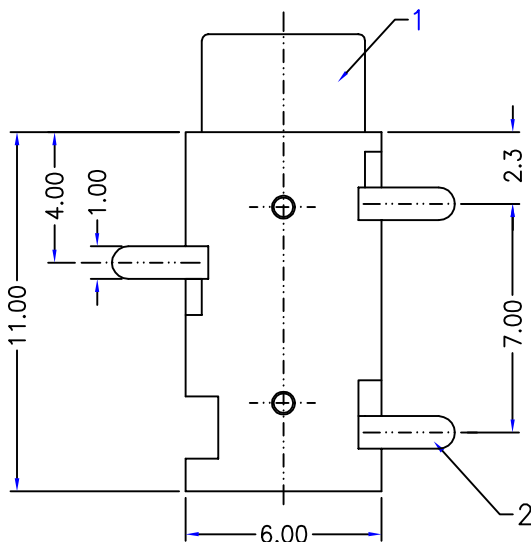
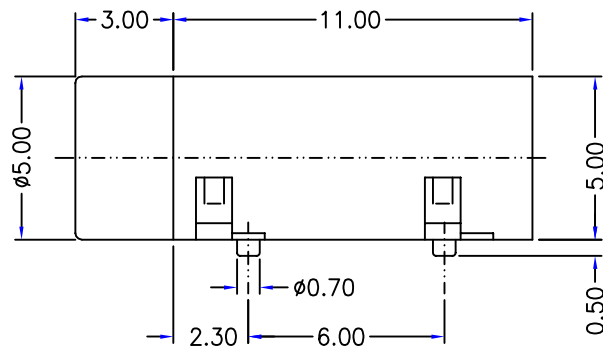
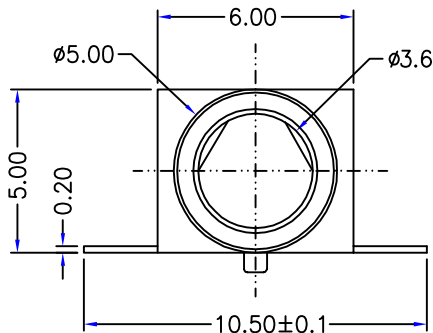
側向導入 LATERAL

精密部品 NICETY

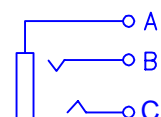
可靠 STABILIZE

適合環保 RoHS

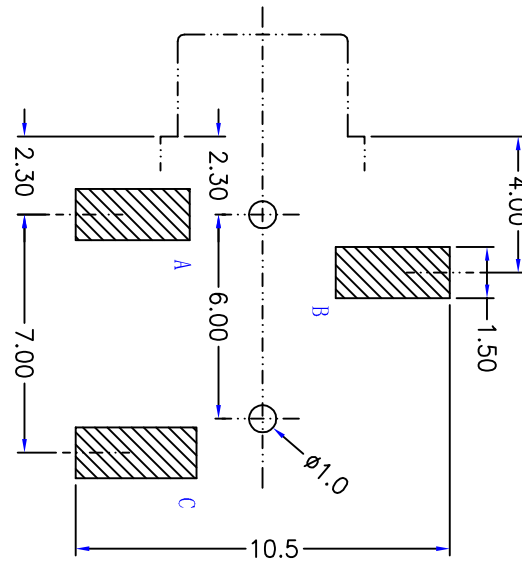
Unit:mm



POLE PLUG



Operating Force	Inward	5.0N~10.0N (grams)
	Exiting	5.0N~10.0N (grams)



Pin Definition



Material declaration

No.	NAME	Type	Description
①	基座	1	PA66 (Black)耐热塑胶
②	接觸端子#1	1	C5191R-H (t=0.20mm)磷铜[银基]
③	接觸端子#2	1	C5191R-H (t=0.20mm)磷铜[银基]
④	接觸端子#3	1	C5191R-H (t=0.20mm)磷铜[银基]



本品不屬於危害性廢棄物,須丟棄時可以委託回收商予以回收再生處理。
Products do not belong to •

注記 NOTICE

1. 碩方公司擁有最終解釋權; The company reserves the right of final interpretation;
2. 文件禁止外洩、轉載; Leaked and reproduced prohibited;
3. 未經授權修改無效。Modify is invalid.

運送時本產品不要直接與水、酸鹼性化學物質接觸,或放置於含有以上氣體環境中,並且需要注意會有滑落、側翻的危險發生; 運輸過程中不能有碰撞或者擠壓,須保證溫度與濕度適中 [常溫 25℃,濕度在 50℃以內],不可導致材料變形或氧化。