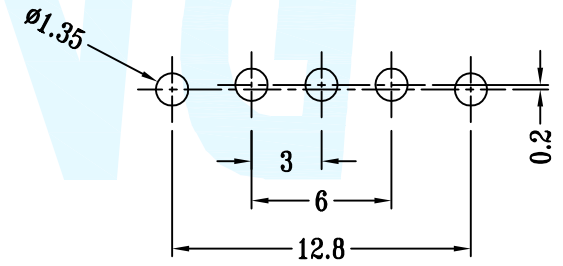
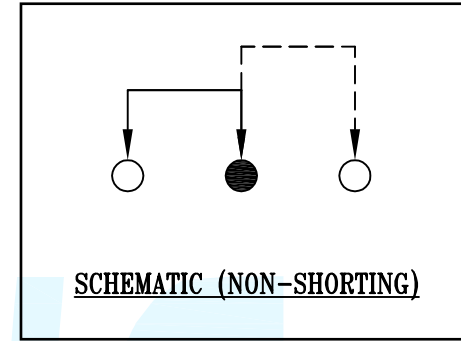
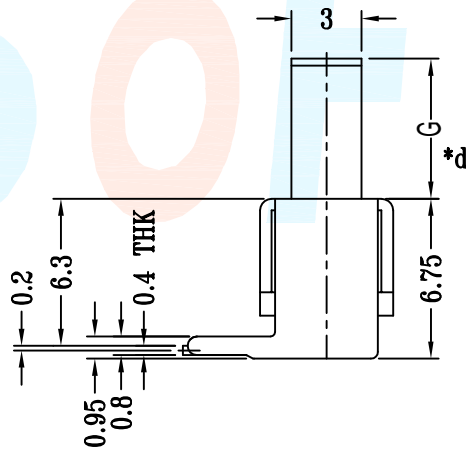
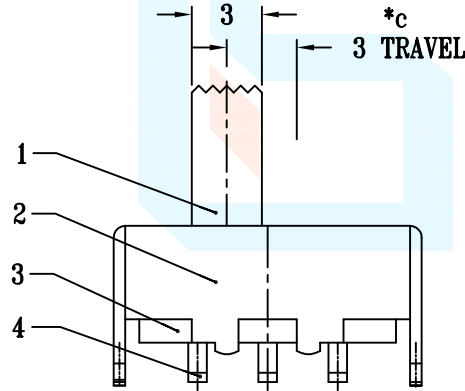
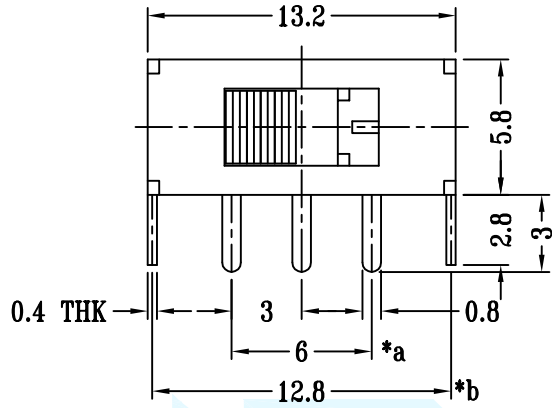


REVISION			
LTR	DESCRIPTION	DATE	APP
AO	NEW RELEASE	02/12/2022	PECK



**P.C.B LAYOUT
BOTTOM VIEW**

NO.	PARTS	MATERIALS	Q'TY	FINISH
6	SPRING	STEEL WIRE	1	NATURAL
5	CONTACT	BRASS STRIP	1	Ag PLATED
4	TERMINAL	BRASS STRIP	3	Ag PLATED
3	BASE	PHENOLIC RESIN	1	NATURAL
2	FRAME	STEEL STRIP	1	Ni PLATED
1	KNOB	PA66	1	BLACK

DIMENSION CLASSIFICATION		台灣碩方精密電子科技有限公司 TAIWAN SOFNG PRECISION ELECTRONIC CO., LTD		開關, 連接器 SOFNG	
■ : CRITICAL ☒ : MAJOR		TITLE SS12F23G6 側立式二檔位撥動開關		SERIES SD106	
TOLERANCE TABLE		PART NO.		DWG NO. SS12F23G6	
.X	± 0.40	APPROVED Peck		SCALE 1:1 UNIT mm SIZE A4	
.XX	± 0.25	CHECKED Paul		REV AO SHEET NO. 1/1	
.XXX	± 0.10	DRAWIN David		REV AO SHEET NO. 1/1	
ANGLE	± 2°	DRAWIN David		REV AO SHEET NO. 1/1	