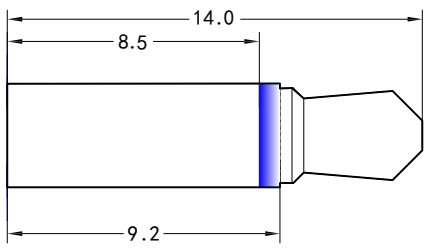
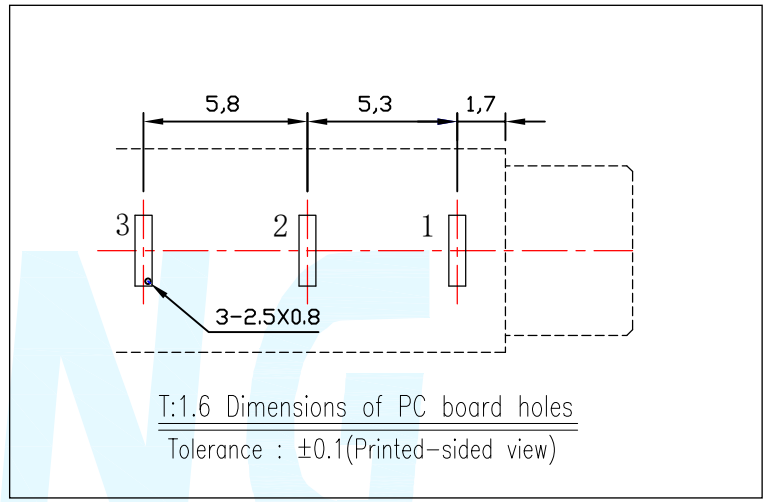
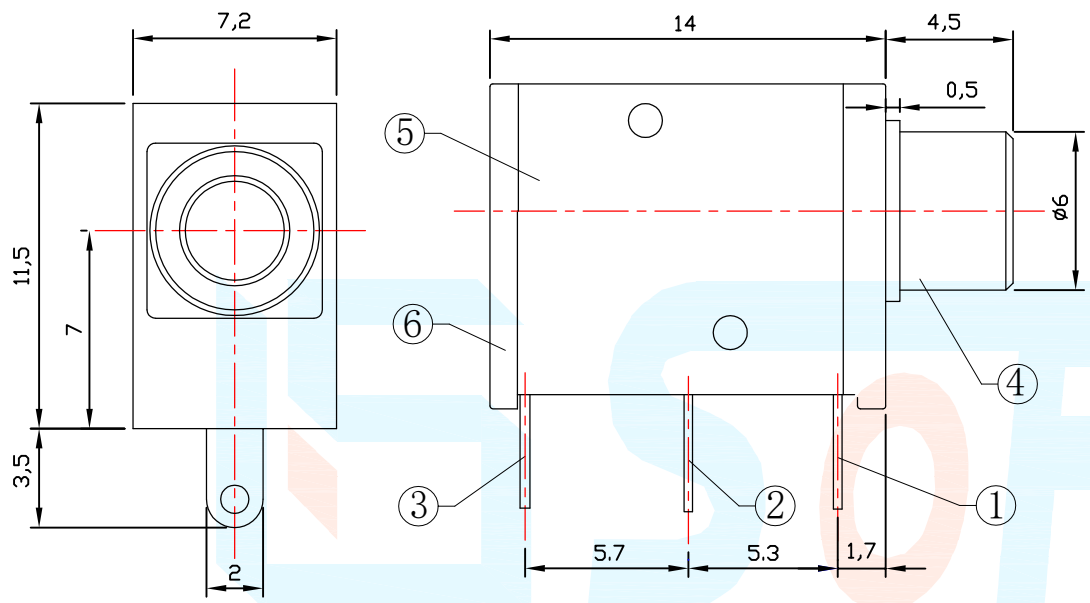
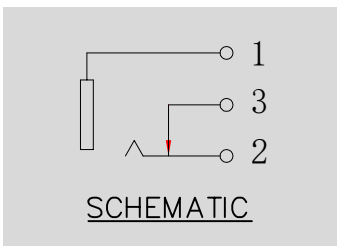


Operating Force	Inward	10.0~30.0N. (1N.=100gram-force)
	Exiting	10.0~30.0N. (1N.=100gram-force)

REVISION			
LTR	DESCRIPTION	DATE	APP
A0	NEW RELEASE	03/18/2022	PECK



Material declaration			
No.	NAME	Type	Description
①	接觸端子#1	1	C2801 黃銅 (t=0.30mm)黃銅(銀基)
②	接觸端子#2	1	C5191 磷銅 (t=0.30mm)黃銅(銀基)
③	接觸端子#3	1	C2801 黃銅 (t=0.30mm)黃銅(銀基)
④	金屬圈	1	H59 黃銅圈
⑤	上蓋	1	PA66/PBT (Black)耐熱塑膠
⑥	基座	1	PA66/PBT (Black)耐熱塑膠



PROJECT	LEVEL	A[better product]		B[average product]	
		Contact Rating		50mA, 24V DC	
Electrical Properties	Initial Contact Resistance	30m Ω max.		50m Ω max.	
	Insulation Resistance	100M Ω min.500V DC	Key/PC: 100M Ω min.300V DC		
	Withstand Voltage	500V AC for 1 minute		350 V AC for 1 minut	
Durable Performance	There No Load	6,000 Cycles		5,000 Cycles	
	Rated Load	5,000 Cycles		4,000 Cycles	
Storage temp.		-25 $^{\circ}$ C~+75 $^{\circ}$ C(Operating Temp:)			

DIMENSION CLASSIFICATION		台灣碩方精密電子科技有限公司		
■ : CRITICAL ☒ : MAJOR		TAIWAN SOFNG PRECISION ELECTRONIC CO., LTD		
TOLERANCE TABLE		TITLE	PJ-323	
		開關, 連接器		SOFNG
		臥插二段式耳机插座		
.X	\pm 0.40	PART NO.	SERIES SD106	
.XX	\pm 0.25	APPROVED	Peck	DWG NO. PJ-323
.XXX	\pm 0.10	CHECKED	Paul	SCALE 1:1 UNIT mm SIZE A4
ANGLE	\pm 2 $^{\circ}$	DRAWIN	David	REV AO SHEET NO. 1/1