

Operation: DIP/3.5&插件三段式 4PIN 音频插座



LTEM NO.:PJ-320A

(L14.3×W6.0×H5.0mm 3.5-PHONE-JACK)

PHONE-JACK



Technical parameter

表面插装 DIP

PROJECT	LEVEL	A[better product]	B[average product]
	Contact Rating	0.25A, 12V DC	
Electrical Properties	Initial Contact Resistance	30mΩ max.	50mΩ max.
	Insulation Resistance	100MΩ min.500V DC	Skey/PD: 100MΩ min.300V DC
	Withstand Voltage	500V AC for 1 minute	350 V AC for 1 minut
Durable Performance	There No Load	6,000 Cycles	5,000 Cycles
	Rated Load	5,000 Cycles	4,000 Cycles
	Storage temp.	-35℃~+75℃(Operating Temp:)	

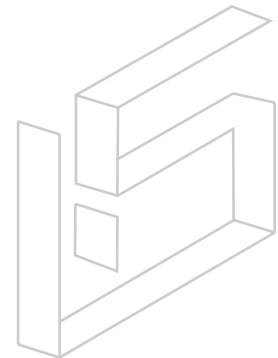
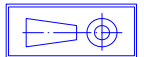
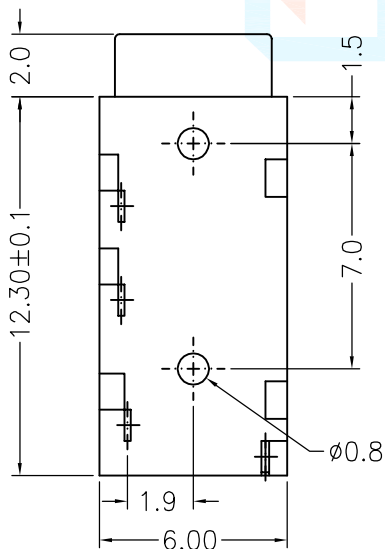
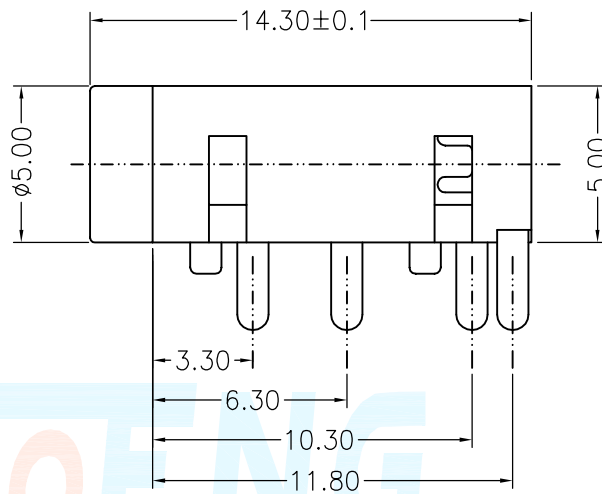
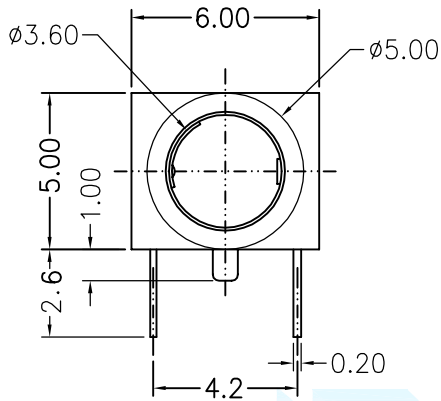
側向導入 LATERAL

精密部品 NICETY

可靠 STABILIZE

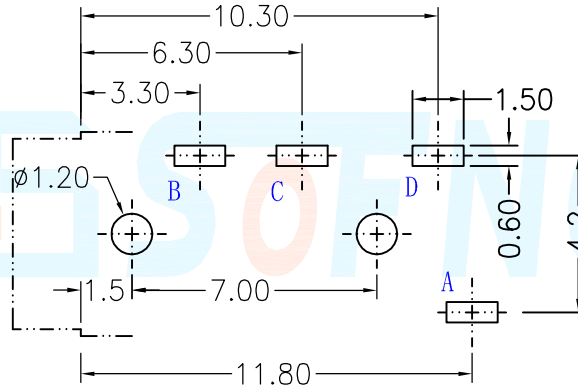
適合環保 RoHS

Unit:mm



DECIMALS		ANGLES	
.X	:±0.25	X.°	:±1.5°
.XX	:±0.15	X.X°	:±1.0°
.XXX	:±0.10	.XXX°	:±0.5°

Operating Force	Inward	5.0~8.0N. (1N.=100gram-force)	Solder-ability (Max.)	245°C
	Exiting	5.0~8.0N. (1N.=100gram-force)		Manual: 350°C, 3sec.



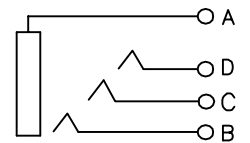
Pin Definition



Material declaration

No.	NAME	Type	Description
①	基座	1	PA9T/PA6T (Black)耐热塑胶
②	接觸端子#1	1	C5191R-H (t=0.20mm)磷銅[银基]
③	接觸端子#2	1	C5191R-H (t=0.20mm)磷銅[银基]
④	接觸端子#3	1	C5191R-H (t=0.20mm)磷銅[银基]
⑤	接觸端子#4	1	C5191R-H (t=0.20mm)磷銅[银基]

4POLE PLUG



本品不屬於危害性廢棄物,須丟棄時可以委託回收商予以回收再生處理。
Products do not belong to •

注記 NOTICE

1. 碩方公司擁有最終解釋權; The company reserves the right of final interpretation;
2. 文件禁止外洩、轉載; Leaked and reproduced prohibited;
3. 未經授權修改無效。Modify is invalid.

運送時本產品不要直接與水、酸鹼性化學物質接觸,或放置於含有以上氣體環境中,並且需要注意會有滑落、側翻的危險發生; 運輸過程中不能有碰撞或者擠壓,須保證溫度與濕度適中 [常溫 25°C,濕度在 50°C以內],不可導致材料變形或氧化。