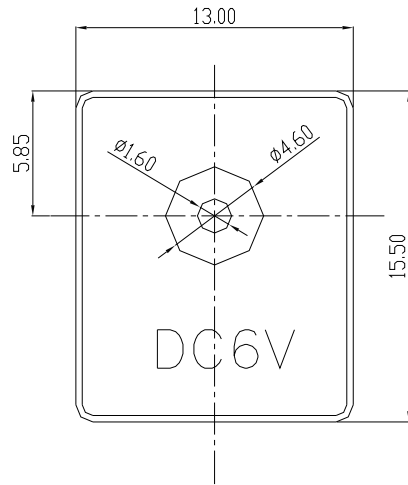
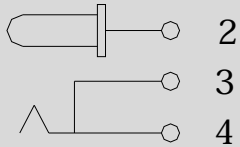
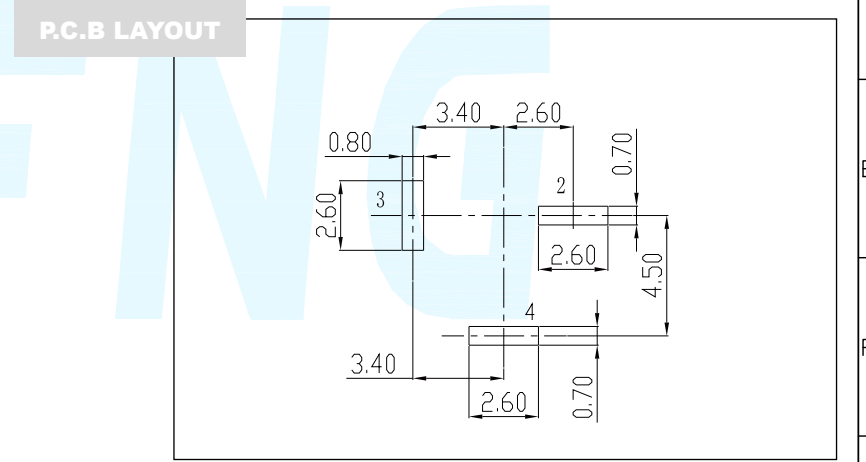
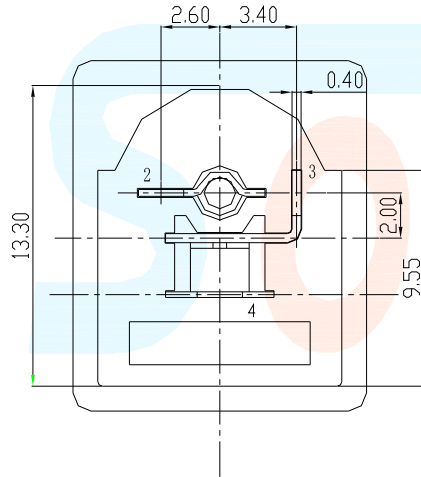
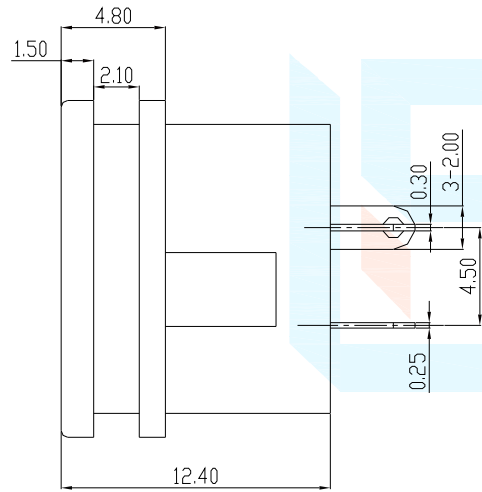


Material declaration		
No.	NAME	Description
① A	基座	PPA 热塑性塑胶[黑色]
② B	后盖	PPA 热塑性塑胶[黑色]
③ C	内芯针	H62 黄铜棒[镀锡 50u" min]
④ D	动态端子	磷铜带 C5191 [镀银]
⑤ E	静态端子	黄铜带 H62/SPCC[镀锡 50u" min]
⑥ F	连接片	黄铜带 H62/SPCC[镀锡 50u" min]

REVISION			
LTR	DESCRIPTION	DATE	APP
A0	NEW RELEASE	05/20/2020	PECK



LEVEL		A[better product]	B[average product]
PROJECT	Contact Rating	3.0A, 30V DC	
	Initial Contact Resistance	50mΩ max.	
Electrical Properties	Insulation Resistance	100MΩ min.500V DC	Skey/PD: 100MΩ min.300V DC
	Withstand Voltage	500V AC for 1 minute	350 V AC for 1 min
Durable Performance	There No Load	6,000 Cycles	5,000 Cycles
	Rated Load	5,000 Cycles	4,000 Cycles
Storage temp.		-35°C~+75°C(Operating Temp: )	
Operating Force		IF:35N MAX. (EF:10.0N MIN.)	
Heat Rrsistance		IR Reflow:235°C, 5sec. Manual :350°C, 3sec.	



DIMENSION CLASSIFICATION		台灣碩方精密電子科技有限公司 TAIWAN SOFNG PRECISION ELECTRONIC CO., LTD		開關, 連接器 SOFNG	
■	: CRITICAL	TITLE	DC-052D 立插式电源插座 直径4.6/内芯1.65mm	PART NO.	DC-052D 【帶固定卡位】
☒	: MAJOR	TOLERANCE TABLE		APPROVED	Peck
.X	± 0.40			CHECKED	Paul
.XX	± 0.25			DWG NO.	SOF-G006
.XXX	± 0.10			SCALE	1:1
ANGLE	± 2°			UNIT	mm
				SIZE	A4
				SHEET NO.	1/1