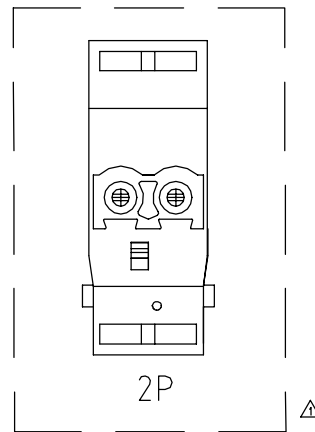
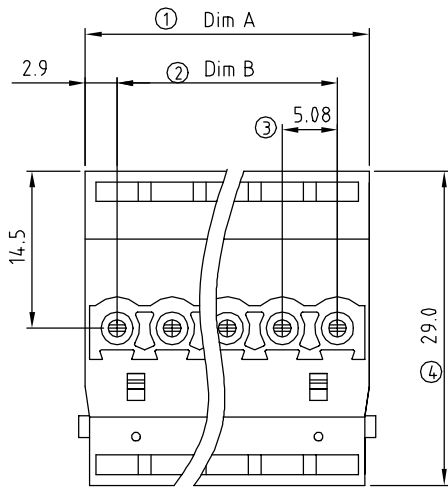


SIGN	DATE	DESCRIPTION	APPROVER
△	4/13'11	Add the 2P mark	Aaron
THIS IS CAD DRAWING, DO NOT REVISE MANUALLY!!!			



Material

- Item a Clamp: Brass(CuZn) Ni plated
- Item b Terminal screw: Brass Zinc plating "-" slot type
- Item c Female contact: PhBz (CuSn) Tin plated
- Item d Terminal (housing): Thermoplastic (UL94V-0)
- Item e Terminal (cover): Thermoplastic (UL94V-0)

Electrical cULus

- Voltage rating: 300VAC
- Current rating: 20A
- Wire range:
- Solid wire(AWG): 12-24
- Stranded wire(AWG): 12-24
- Torque: 4.3 Lb-In
- Screw: M3
- Wire strip length: 7-8mm
- Withstanding Voltage: 1.6KV
- Operating temperature: -40°C to +115°C
- Safety Approval:



VH xx 51 x 0 xxxx G

No. OF POLES

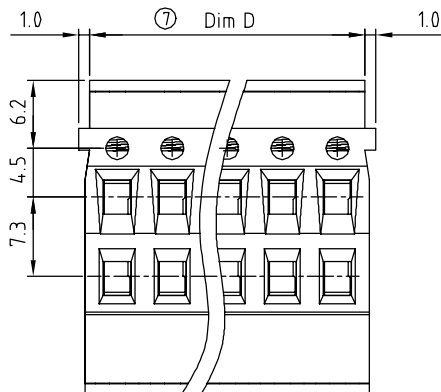
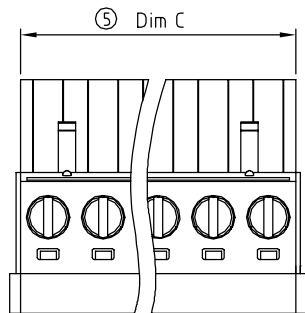
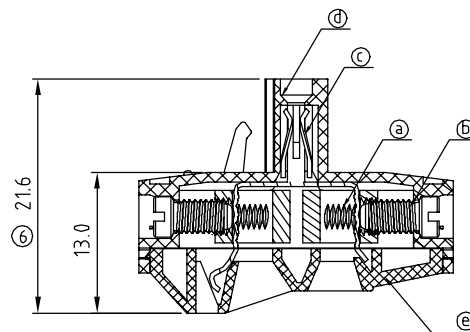
- 02 2 CONTACTS
- 03 3 CONTACTS
-
- 24 24 CONTACTS

Color

- 0 Black (RAL9005)
- 2 Red (RAL3001/D)
- 3 Orange(RAL2011/P)
- 4 Yellow(RAL1018/A)
- 5 Green(RAL6018/T)
- 6 Blue (RAL5015/A)
- 8 Grey(RAL7035/D)
- 9 White(RAL1102)
- C Green(RAL6018/U)

G: Pb<4.0000ppm

0000: "@" Logo (Standard)
000A: "ANYTEK" Mark
Any special item by customer request.
please contact sales department.



N = Number of poles
Dim A=(N-1)×5.08+5.88
Dim B=(N-1)×5.08
Dim C=N×5.08
Dim D=N×5.08

Poles	Dim A	Dim B
2p-6p	±0.15	±0.10
7p-12p	±0.20	±0.20
13p-18p	±0.30	±0.25
19p-24p	±0.40	±0.35

ANYTEK

CUSTOMER COPY

ALL RIGHTS RESERVED. REPRODUCTION OR ISSUE TO THIRD PARTIES IN ANY FORM WHATSOEVER IS NOT PERMITTED WITHOUT WRITTEN AUTHORITY FROM THE PROPRIETOR. PROPERTY OF ANYTEK TECHNOLOGY CO., LTD

TITLE		VH-5.08mm Series 2P-24P (W/o flange)		
PART NO.	VHxx51x0xxxxG	DWG NO.	8VH0101	
APPROVED	CHECKED	DESIGNED	DRAWN	CUST NO.
		Aaron 2011.04.13	姜朋福 2006.01.18	
		SHEET: 01/01		Tolerance
		UNIT: mm		X. ±0.50
		SCALE: NONE		X.X ±0.30
		REV.: D		X.XX ±0.10
				X° ±1°