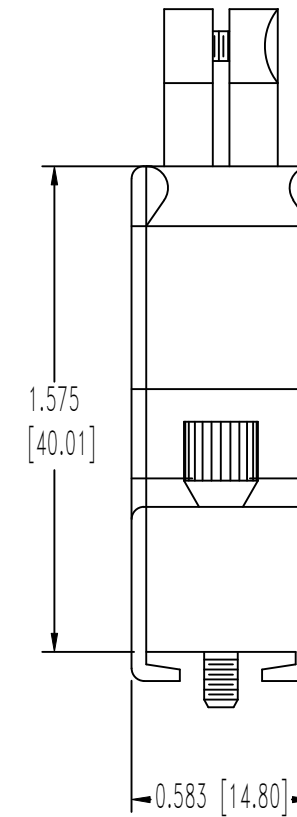
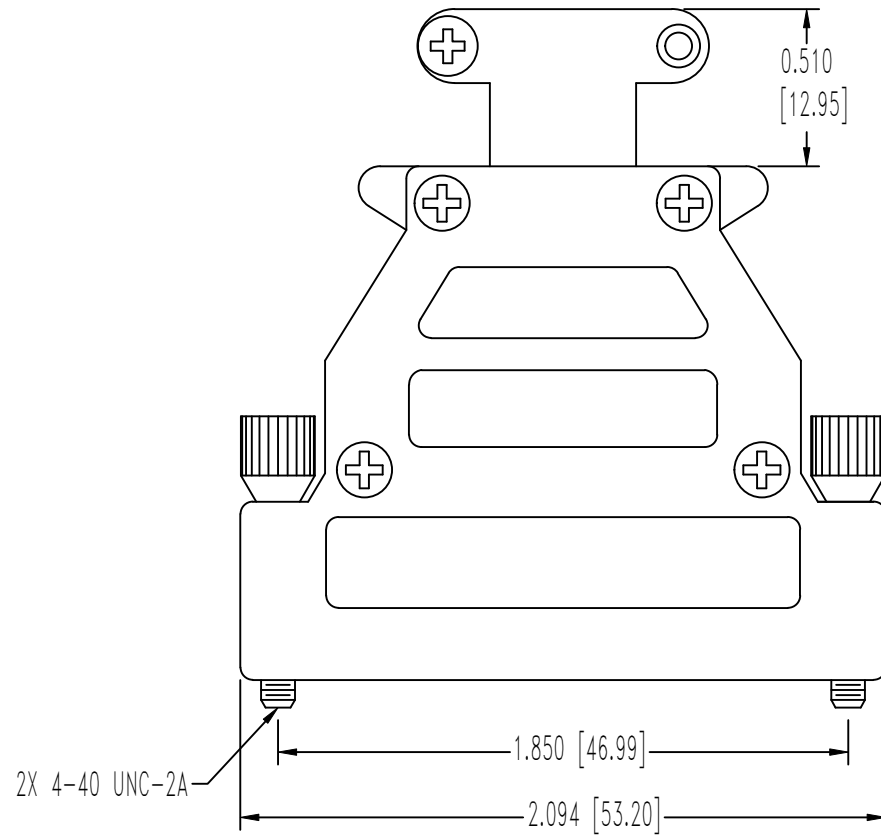


SK1990

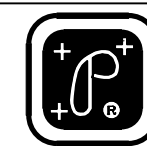
DATE	REV	REVISION RECORD	APP	DR	CK
1-25-06	A	ECO 25404	RW	YK	ME
3-16-15	B	ECO 46261	COLE	BE	COLE

THIS DRAWING CONTAINS INFORMATION PROPRIETARY TO POSITRONIC AND ITS SUBSIDIARIES. POSITRONIC BELIEVES THE DATA ON THIS DRAWING TO BE RELIABLE, SINCE THE TECHNICAL INFORMATION IS GIVEN FREE OF CHARGE, THE USER EMPLOYS SUCH INFORMATION AT HIS OWN DISCRETION AND RISK. POSITRONIC ASSUMES NO RESPONSIBILITY FOR RESULTS OBTAINED OR DAMAGES INCURRED FROM USE OF SUCH INFORMATION IN WHOLE OR IN PART.



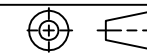
NOTES:

- MATERIALS AND FINISHES:
HOOD AND CABLE CLAMPS: DIE CAST ZINC.
JACKSCREWS: STEEL WITH NICKEL PLATE.
- DETAILED PRODUCT, MECHANICAL, AND ELECTRICAL INFORMATION IS AVAILABLE IN THE LATEST D-SUB ACCESSORY PRODUCT PUBLICATION. VISIT CONNECTPOSITRONIC.COM/PRODUCTS/58/D-SUBMINIATUREACCESSORIES OR CONNECTPOSITRONIC.COM.
- DIMENSIONS ARE IN INCHES [MILLIMETERS].



POSITRONIC INDUSTRIES INC.
www.connectpositronic.com

FSCM 28198



DECIMAL TOL.
± 0.015 [0.38]



ANGULAR TOL.
± 5°

D SERIES

SCALE
N.T.S.

DRAWN BY
YK
APPROVED BY
RW

TITLE
D25000GEO

DATE
1-25-06

DRAWING NUMBER
SK1990

REV.
B