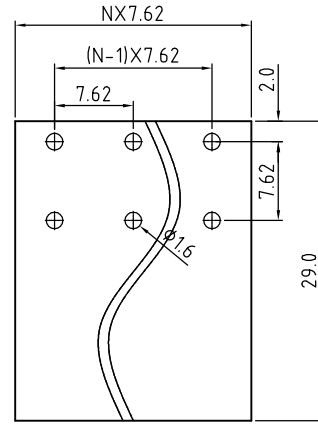
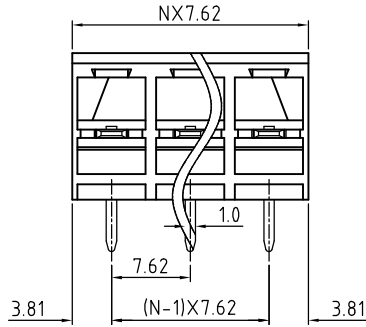
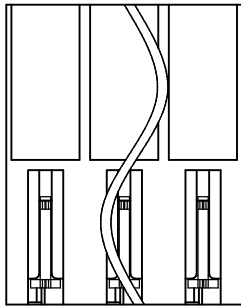


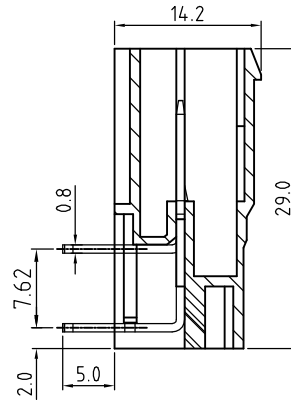
Transfer or duplication of this document as well as the utilisation or communication of its content are not permitted unless express consent is granted. Violations give rise to claims for damages. All rights reserved in case of patent, utility model or design patent registrations.



P.C.B. LAYOUT



N=Number of contacts



Technical Data:

Electrical

Pitch: 7.62mm

Voltage rating: 300V

Current rating: 42Amps

Withstanding Voltage: 2500VAC(1min) Test time=60sec/1pcs

Mechanical:

Operating temperature: -40°C to +105°C

Soldering temperature

Temperature= 250°C±10°C/5 seconds max

Safety approval:

RoHS Compliance

Part No.:

OSTVCXX0050

No. of Poles

02 2 Poles

03 3 Poles

... ..

24 24 Poles

Nonstandard colors

Mins could apply

COLOR

0: Black

2: Red

3: Orange

4: Yellow

5: Green (Standard)

6: Blue

8: Grey

2	Terminal	Copper Alloy	Tin plated	1xN
1	Body	PA66-30%GF UL94V		1
ITEM	NAME OF PART	MATERIAL	NOTES	Q"TY
DWG.	DATE	UNITS:	MM	SHEET: 1 OF 1
CHK.	DATE	SCALE:	NONE 2:1 (:)	REV.: A
APP.	DATE	TITLE:	OSTVC SERIES 7.62MM	X. ±0.50
			RIGHT ANGLE	X.XX ±0.30
		PART NO.	OSTVCXX0050	X° ±1°
		DWG NO.	OSTVCXX0050.DWG	

REV	△	SIGN	DESCRIPTION	CHK.	DATE
-----	---	------	-------------	------	------



ON-SHORE TECHNOLOGY, INC.