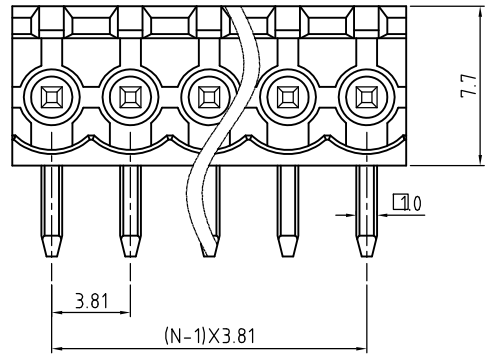
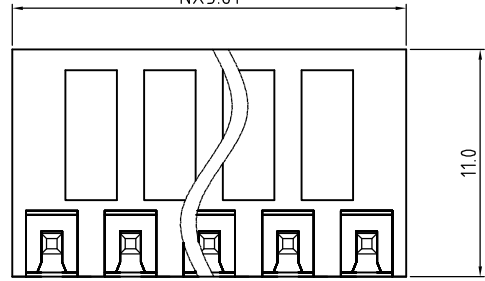


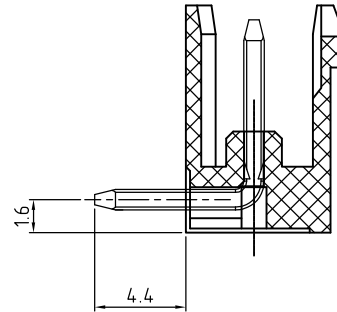
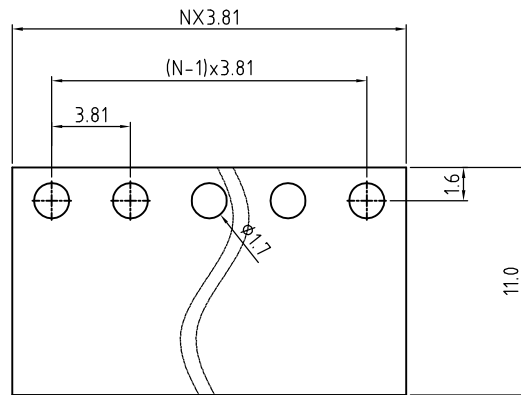
Transfer or duplication of this document as well as the utilisation or communication of its content are not permitted unless express consent is granted. Violations give rise to claims for damages. All rights reserved in case of patent, utility model or design patent registrations.



N=Number of contacts
NX3.81



PCB LAYOUT



Technical Data:

Electrical

Pitch: 3.81mm
Voltage rating: 300V
Current rating: 12 Amps
Withstanding Voltage: 2500VAC(1min)

Mechanical:

Operating temperature: -40°C to +105°C
Soldering temperature
Temperature= 250°C±10°C /5 seconds max
Safety approval:
RoHS Compliance

Part No.:

OSTVEXX3051

No. of Poles	COLOR
02 2 Poles	0: Black
03 3 Poles	2: Red
...	3: Orange
24 24 Poles	4: Yellow
	5: Green (Standard)
	6: Blue
	8: Grey

Nonstandard colors
Mins could apply

2	Pin	Copper Alloy	Tin plated	1xN
1	Body	PA66-30%GF UL94V		1
ITEM	NAME OF PART	MATERIAL	NOTES	Q'TY
DWG.	DATE	UNITS:	MM	SHEET: 1 OF 1
CHK.	DATE	SCALE:	NONE 4:1 (:)	REV.: A
APP.	DATE	TITLE:	OSTVE SERIES 3.81MM OPEN RIGHT ANGLE	X. ±0.50 X.X ±0.30 X.XX ±0.10 X° ±1°
		PART NO.	OSTVEXX3051	
		DWG NO.	OSTVEXX3051.DWG	

REV	SIGN	DESCRIPTION	CHK.	DATE



ON-SHORE TECHNOLOGY, INC.