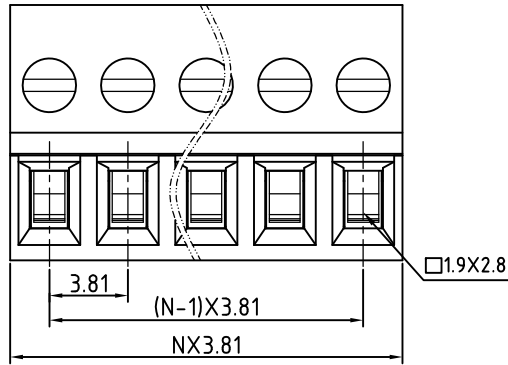
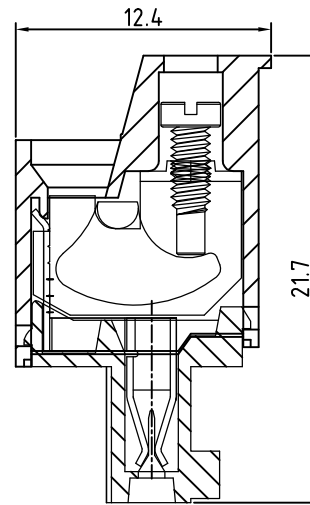
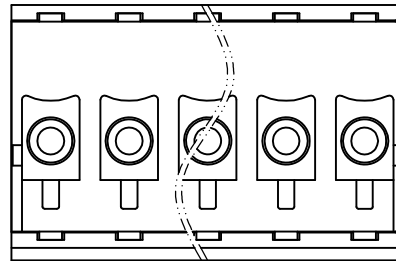
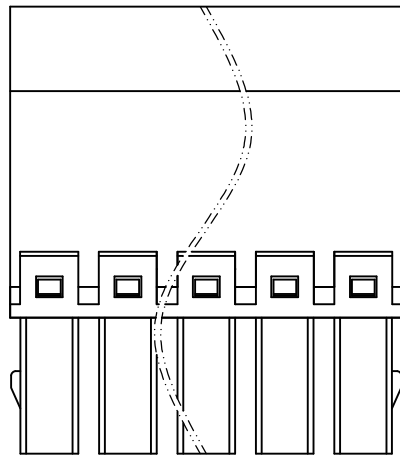


Transfer or duplication of this document as well as the utilisation or communication of its content are not permitted unless express consent is granted. Violations give rise to claims for damages. All rights reserved in case of patent, utility model or design patent registrations.



N=Number of contacts



**Technical Data:**

**Electrical**

Pitch: 3.81mm

Voltage rating: 300V

Current rating: 12 Amps

Contact resistance: 20mΩ(max)

Withstanding Voltage: 2500VAC(1min) Test time=60sec/1pcs

Wire Range:12-24AWG

Wire strip length: 6-7mm

**Mechanical:**

Torque: 2.5kgf.cm/M2

Operating temperature: -40°C to +105°C

Safety approval:

RoHS Compliance

Part No.:

**OSTVMXX3550**

**No. of Poles**

02 2 Poles

03 3 Poles

... ..

24 24 Poles

**COLOR**

0: Black

2: Red

3: Orange

4: Yellow

5: Green (Standard)

6: Blue

8: Grey

Nonstandard colors

Mins could apply

6	Contact	Copper Alloy	Cr3+ plated	1xN
5	Axe	Copper Alloy	Cr3+ plated	1xN
4	Screw	Steel / M2.0	Cr3+ plated	1xN
3	Wire guard	Copper Alloy	Tin plated	1xN
2	Cover	PA66 UL94V-0		1
1	Body	PA66 UL94V-0		1
ITEM	NAME OF PART	MATERIAL	NOTES	Q"TY

DWG.	DATE	UNITS:	MM	SHEET:	1 OF 1	Tolerance
CHK.	DATE	SCALE:	NONE 4:1 ( : )	REV.:	A	X. ±0.50
APP.	DATE	TITLE:	OSTVM SERIES 3.81MM WITHOUT FLANGE			X.XX ±0.30
		PART NO.	OSTVMXX3550			X° ±1°
		DWG NO.	OSTVMXX3550.DWG			

REV		SIGN	DESCRIPTION	CHK.	DATE
-----	--	------	-------------	------	------



ON-SHORE TECHNOLOGY, INC.